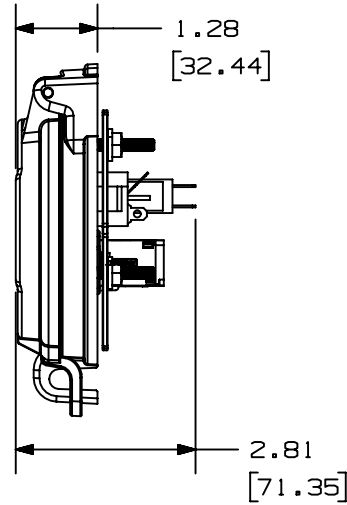
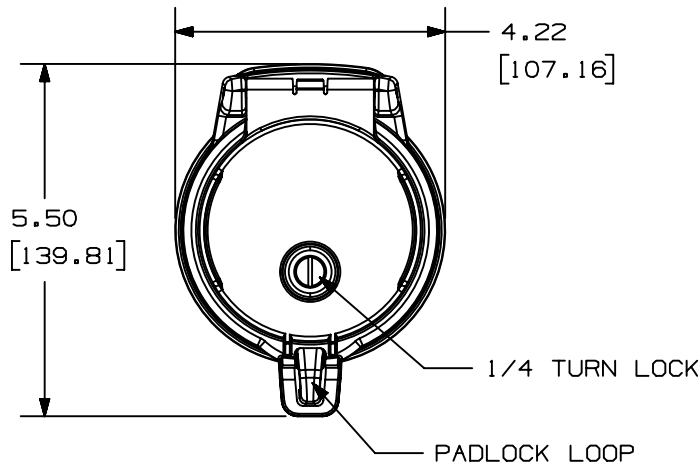
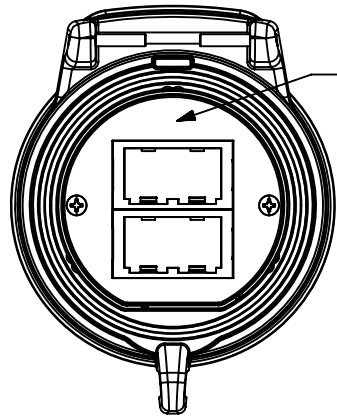


THIS COPY IS PROVIDED ON A RESTRICTED BASIS AND IS NOT TO BE USED IN ANY WAY DETRIMENTAL TO THE INTERESTS OF PANDUIT CORP.



NOTES:

1. SEE SHEET 2 OF 2 FOR PART NUMBER MATRIX. SEE CURRENT CATALOG FOR ADDITIONAL PART NUMBER SUFFIXES TO INDICATE COLOR AND OR PACKAGE QUANTITY.
2. SEE CATALOG FOR COMPLETE LIST OF PARTS APPLICABLE FOR USE WITH THIS PART.
3. DIMENSIONS IN [] ARE IN METRIC.
4. SEE TABLE FOR INCLUDED OPTIONS.
5. CUSTOM MARKING AVAILABLE, PLEASE CONTACT CUSTOMER SERVICE FOR OPTIONS.
6. INCLUDES ALL NECESSARY HARDWARE.
7. 2.5 IN CONDUIT PUNCH (SOLD SEPARATELY):
 MILD STEEL: DAP3PUNCH-MS
 STAINLESS STEEL: DAP3PUNCH-SS



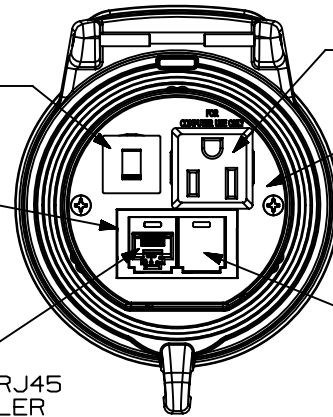
DATA ACCESS PORT 3IN FACEPLATE FOR MINI-COM DATA MODULES ONLY (MINI-COM MODULES SOLD SEPARATELY)

3 AMP CIRCUIT BREAKER

TWO POSITION MULTI-COM FLAT INSERT

PANDUIT CATEGORY 5E RJ45 TO RJ45 COUPLER MODULE

SHOWN: DAP3BC-00

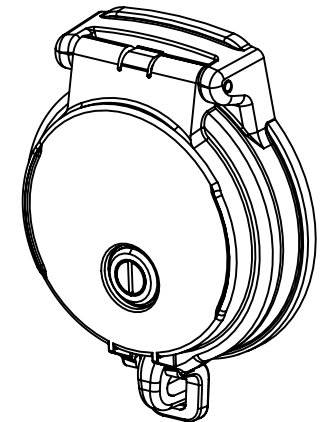


15 AMP RECEPTACLE

DATA ACCESS PORT 3IN FACEPLATE FOR SIMPLEX OUTLET

PANDUIT MINICOM BLANK

SHOWN: DAP3BC-S3-5



TITLE		3" DATA ACCESS PORT ASSEMBLY						
ITEM REVISION NAME		CUSTOMER DRAWING						
00229EAA/00		PANDUIT						
DATASET FILE NAME								
00229EAA_DC/00		MATERIAL:						
UNLESS OTHERWISE SPECIFIED, DIMENSIONAL TOLERANCES ARE: IN [mm]		N/A						
.x ± .1 [2.54] .xxx ± .005 [.127]		DRAWING NUMBER:						
.xx ± .01 [.25] ANGLES ± 1°								
		THIRD ANGLE PROJECTION						
DRAWN BY	DATE	CHK	SCALE	00229EAA_DC				
BDK	03.19.19	DJSL	N.T.S.					
REV	DATE	BY	CHK	APR	DESCRIPTION	ECN	SHT 1 OF 2	SIZE
00	03.19.19	BDK	DJSL	MSAD	RELEASED TO PRODUCTION	046131		A

N\GLOBAL_AS\SIZE

THIS COPY IS PROVIDED ON A RESTRICTED BASIS AND IS NOT TO BE USED IN ANY WAY DETRIMENTAL TO THE INTERESTS OF PANDUIT CORP.

PART NUMBER	15A SIMPLEX RECEPTACLE	3 AMP CIRCUIT BREAKER	CATEGORY 5E COUPLER	CATEGORY 5E SHIELDED COUPLER	CATEGORY 6 COUPLER	USB 2.0 COUPLER
DAP3BC-00						
DAP3BC-00-55			2			
DAP3BC-S0-55	1		2			
DAP3BC-S0-5U	1		1			1
DAP3BC-S0-5	1		1			
DAP3BC-S3-5	1	1	1			
DAP3BC-S0-4	1			1		
DAP3BC-S3-4	1	1		1		
DAP3BC-S0-6	1				1	
DAP3BC-S3-6	1	1			1	
DAP3BC-S0	1					
DAP3BB-S0	1					

B

B

A

A

GLOBAL-ASIZE

00	03.19.19	BDK	DJLS	MSAD	SEE SHEET 1 OF 2	046131
REV	DATE	BY	CHK	APR	DESCRIPTION	ECN

TITLE					
3" DATA ACCESS PORT ASSEMBLY					
CUSTOMER DRAWING					
ITEM REVISION NAME			00229EAA/00		
DATASET FILE NAME			00229EAA_DC/00		
UNLESS OTHERWISE SPECIFIED, DIMENSIONAL TOLERANCES ARE: IN [mm]					PANDUIT
.x ± .1 [2.54]		.xxx ± .005 [.127]		MATERIAL:	
.xx ± .01 [.25]		ANGLES ± 1°		N/A	
DRAWN BY			DATE		
BDK			03.19.19		
CHK			SCALE		
DJSL			N.T.S.		
DRAWING NUMBER:					SIZE
00229EAA_DC					A
SHT 2 OF 2					

X-ON Electronics

Largest Supplier of Electrical and Electronic Components

Click to view similar products for [Power Outlet Strips](#) category:

Click to view products by [Panduit](#) manufacturer:

Other Similar products are found below :

[G20IG606](#) [1301430288](#) [1301430321](#) [1447B163](#) [UL602CB-6](#) [UL7408-6](#) [ULHC4-15](#) [V20IG606](#) [UL2063BD](#) [TSB](#) [4748.03](#) [4309](#) [UL7208-15](#) [3083](#) [3050F](#) [3090](#) [1301350158](#) [1301350173](#) [3085-10](#) [DAPI-USEU](#) [1583H8B1BKV](#) [1589H77D1JV](#) [1589H77G1JV](#) [1589H8D1BKRRV](#) [1589H8G1BKRRV](#) [DTEL2](#) [TLP712B](#) [STRIKER](#) [TLM825SA](#) [UL620-15](#) [3SP](#) [1301370166](#) [130143-0153](#) [1301370216](#) [602](#) [6SP](#) [1584B10](#) [1589H48G1](#) [1589T6D1](#) [1301350185](#) [1301350186](#) [1301350187](#) [1301350197](#) [1301350233](#) [1301350234](#) [1301350201](#) [1301350207](#) [1301350209](#) [1301350211](#) [1301350213](#)