

Data Access Port

applications

The Data Access Port provides data port and electrical outlet access to equipment without the safety hazards of opening the panel. The access port provides availability to log in to the network at the work site and can be used for reprogramming internal controllers. The circular design allows for data access ports to be installed effortlessly by using a standard panel punch. The modular design allows for RJ45 jacks, circuit breakers, USB, and other modular connectors to be interchanged at any time, allowing

maximum design flexibility. Snap on mounting plate covers mounting screws and prevents tampering or unauthorized removal of access port from the control panel. Data access port has both a quarter turn lock and provisions for a padlock, both of which provide exceptional security. Versions are configured to accommodate any specification, including custom marking. In addition to the Simplex and GFCI outlets, options are available to incorporate standard 45mm European outlets.



technical information

Degree of Protection:	Rated Type (UL, CSA, NEMA) 4, 4X, and 12
Ingress Rating:	Complies with IP65 per IEC 60529
UL Recognized:	Rated to UL50, UL50E, UL508A, CSA C22.2 NO. 14-13, and CSA C22.2 NO. 94.1/NO. 94.2
Internationally Recognized:	CE Mark

key features and benefits

Ease of Installation:	Circular frame design allows for the use of standard punch dies providing cleaner installation and up to 50% in labor savings
Ultimate Modularity:	Modular design allows for interchangeable port layouts providing: <ul style="list-style-type: none">- Design flexibility- Field upgradeability- Adaptable inventory
Reduced Inventory:	All part numbers are rated Type (UL, CSA, NEMA) 4, 4X and 12, reducing the need to stock different SKUs for different rating listings
Locking Hasp:	Accepts Panduit lockout/tagout products or padlocks to prevent unauthorized access for improved security
Custom Marking:	Standard SKUs have custom marking options, allowing users to place custom artwork on the cover of the 3" and 4" data access ports models

specifications

Data access ports provide end users a safe and secure means to maintain and monitor performance of PLCs, VFDs, and industrial networks. Integrated security features shall prevent the disruption of service or unwanted access by unauthorized personnel. Non-arc flash certified personnel can access networks within the panel which reduces cost, increases efficiency, and promotes overall safety. Furthermore, the new, innovative circular design allows for quick and easy installation. Aluminum casted base with a low profile, plastic impact resistant cover and modular faceplate mount protects all connections.

30 Millimeter Data Access Port*

30mm, IndustrialNet™ USB industrial bulkhead connector with protective cover: IAEBHUSBAA

*See part information table for full product offering

3 Inch Data Access Port*

Data Access Port, 3in. Base, Simplex Outlet, CAT 5e Coupler: DAP3BC-S0-5

Data Access Port, 3in. Base, Simplex Outlet, 3 Amp Breaker, CAT 5e Coupler: DAP3BC-S3-5

*See part information table for full product offering

4 Inch Data Access Port*

Data Access Port, 4in. Base, GFCI Outlet, Cat 5e Coupler: DAP4BC-G0-5

Data Access Port, 4in. Base, GFCI Outlet, Cat 5e Coupler, 3 Amp Breaker: DAP4BC-G3-5

*See part information table for full product offering

Related Products

Mini-Com® Category 5e, RJ45, 8-position, 8-wire universal coupler module, black: CC5E88BL‡

Mini-Com® Category 5e shielded, RJ45, 8-position, 8-wire universal coupler module, black: CCS5E88BL

Mini-Com® Category 6, RJ45, 8-position, 8-wire universal coupler module, black: CC688BL‡

Mini-Com® Category 6A, RJ45, 8-position, 8-wire universal coupler module, black: CC6X88BL‡

Mini-Com® USB 2.0 female A to female A coupler module, black: CMUSBAABL‡

9-pin female/female D-subminiature coupler in 1/3-size insert for use with Data Access Port: IAPHD9CWH

Data Access Port, 3 Amp Circuit Breaker Kit: DAP-3AMP-KIT

Data Access Port, 5 Amp Circuit Breaker Kit: DAP-5AMP-KIT

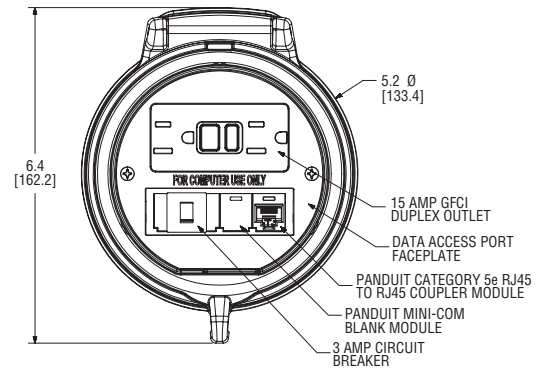
‡For additional colors, add suffix: BL (Black), IW (Off White), BU (Blue), RD (Red), GR (Green), OR (Orange), IG (International Gray), or YL (Yellow).

Data Access Port

part information

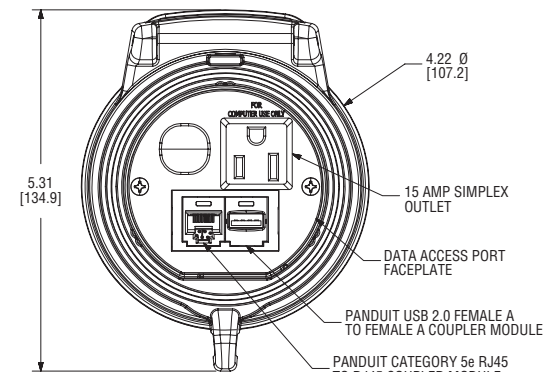
4 Inch Data Access Port

Part Number	Description
DAP4BC-G0	Data Access Port, 4in. Base, GFCI Outlet
DAP4BB-G0	Data Access Port, 4in. Base w/ Black Cover, GFCI Outlet
DAP4BC-X0	Data Access Port, 4in Base w/ International Faceplate insert
DAP4BC-G0-5U	Data Access Port, 4in. Base, GFCI Outlet, CAT 5e Coupler, USB Coupler
DAP4BC-G0-5	Data Access Port, 4in. Base, GFCI Outlet, CAT 5e Coupler
DAP4BC-G3-5	Data Access Port, 4in. Base, GFCI Outlet, CAT 5e Coupler, 3 Amp Breaker
DAP4BC-G0-4	Data Access Port, 4in. Base, GFCI Outlet, CAT 5e Shielded Coupler
DAP4BC-G3-4	Data Access Port, 4in. Base, GFCI Outlet, CAT 5e Shielded Coupler, 3 Amp Breaker
DAP4BC-G0-6	Data Access Port, 4in. Base, GFCI Outlet, CAT 6 Coupler
DAP4BC-G3-6	Data Access Port, 4in. Base, GFCI Outlet, CAT 6 Coupler, 3 Amp Breaker



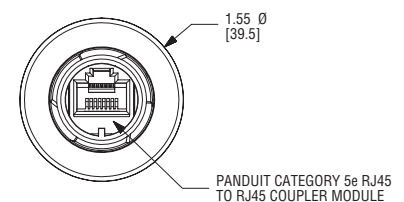
3 Inch Data Access Port

Part Number	Description
DAP3BC-00-55	Data Access Port, 3in. Base, Two CAT 5e Couplers
DAP3BC-S0	Data Access Port, 3in. Base, Simplex Outlet
DAP3BB-S0	Data Access Port, 3in. Base w/ Black Cover, Simplex Outlet
DAP3BC-S0-55	Data Access Port, 3in. Base, Simplex Outlet, Two CAT 5e Couplers
DAP3BC-S0-5U	Data Access Port, 3in. Base, Simplex Outlet, CAT 5e Coupler, USB Coupler
DAP3BC-S0-5	Data Access Port, 3in. Base, Simplex Outlet, CAT 5e Coupler
DAP3BC-S3-5	Data Access Port, 3in. Base, Simplex Outlet, 3 Amp Breaker, CAT 5e Coupler
DAP3BC-S0-4	Data Access Port, 3in. Base, Simplex Outlet, CAT 5e Shielded Coupler
DAP3BC-S3-4	Data Access Port, 3in. Base, Simplex Outlet, 3 Amp Circuit Breaker, CAT 5e Shielded Coupler
DAP3BC-S0-6	Data Access Port, 3in. Base, Simplex Outlet, CAT 6 Coupler
DAP3BC-S3-6	Data Access Port, 3in. Base, Simplex Outlet, 3 Amp Breaker, CAT 6 Coupler



30 Millimeter Data Access Port

Part Number	Description
IAEBHUSBAA	30mm IndustrialNet™ USB industrial bulkhead connector with protective cover
IAEBH5E	30mm IndustrialNet™ Category 5e, 8-position, 8-wire industrial bulkhead connector with protective cover
IAEBHC5E	30mm IndustrialNet™ Category 5e, 8-position, 8-wire industrial black bulkhead coupler with protective cover.
IAEBH5ES	30mm Category 5e, 8-position, 8-wire shielded industrial connector with protective cover.
IAEBHC5ES	30mm IndustrialNet™ Category 5e, 8-position, 8-wire shielded industrial bulkhead coupler with protective cover.
IAEBH6	30mm IndustrialNet™ Category 6, RJ45, 8-position, 8-wire industrial bulkhead connector with protective cover.
IAEBHC6	30mm IndustrialNet™ Category 6, RJ45, 8-position, 8-wire black industrial bulkhead coupler with protective cover.
IAEBH6S	30mm IndustrialNet™ Category 6, RJ45, 8-position, 8-wire shielded black industrial bulkhead connector with protective cover.



WORLDWIDE SUBSIDIARIES AND SALES OFFICES

PANDUIT CANADA
Markham, Ontario
cs-cdn@panduit.com
Phone: 800.777.3300

PANDUIT EUROPE LTD.
London, UK
cs-emea@panduit.com
Phone: 44.20.8601.7200

PANDUIT SINGAPORE PTE. LTD.
Republic of Singapore
cs-ap@panduit.com
Phone: 65.6305.7575

PANDUIT JAPAN
Tokyo, Japan
cs-japan@panduit.com
Phone: 81.3.6863.6000

PANDUIT LATIN AMERICA
Guadalajara, Mexico
cs-la@panduit.com
Phone: 52.33.3777.6000

PANDUIT AUSTRALIA PTY. LTD.
Victoria, Australia
cs-aus@panduit.com
Phone: 61.3.9794.9020

For a copy of Panduit product warranties, log on to www.panduit.com/warranty

For more information

Visit us at www.panduit.com

Contact Customer Service by email: cs@panduit.com
or by phone: 800.777.3300

© 2019 Panduit Corp.
ALL RIGHTS RESERVED.
SFSP07--SA-ENG
REPLACES SFSP06--SA-ENG
1/2019

PANDUIT®

X-ON Electronics

Largest Supplier of Electrical and Electronic Components

Click to view similar products for [Power Outlet Strips](#) category:

Click to view products by [Panduit](#) manufacturer:

Other Similar products are found below :

[G20IG606](#) [1301430288](#) [1301430321](#) [1447B163](#) [UL602CB-6](#) [UL7408-6](#) [ULHC4-15](#) [V20IG606](#) [UL2063BD](#) [TSB](#) [4748.03](#) [4309](#) [UL7208-15](#) [3083](#) [3050F](#) [3090](#) [1301350158](#) [1301350173](#) [3085-10](#) [DAPI-USEU](#) [1583H8B1BKV](#) [1589H77D1JV](#) [1589H77G1JV](#) [1589H8D1BKRRV](#) [1589H8G1BKRRV](#) [DTEL2](#) [TLP712B](#) [STRIKER](#) [TLM825SA](#) [UL620-15](#) [3SP](#) [1301370166](#) [130143-0153](#) [1301370216](#) [602](#) [6SP](#) [1584B10](#) [1589H48G1](#) [1589T6D1](#) [1301350185](#) [1301350186](#) [1301350187](#) [1301350197](#) [1301350233](#) [1301350234](#) [1301350201](#) [1301350207](#) [1301350209](#) [1301350211](#) [1301350213](#)