

PART NUMBER		TAB SIZE	AWG WIRE RANGE (mm <sup>2</sup> )	HOUSING COLOR	MAX WIRE INSUL DIA	DIMENSIONS in.			
PREFIX	PK					A±.03 (.8)	B±.02 (.5)	W±.01 (.3)	X±.03 (.8)
DNFR18-250B	-L -M	.250 X .032 (6,3 X 0,8)	22-18 (0,5-1,0)	RED	.130 (3,30)	.78 (19,8)	.20 (5,1)	.36 (9,1)	.62 (15,7)
DNFR14-250B	-L -M	.250 X .032 (6,3 X 0,8)	16-14 (1,5-2,5)	BLUE	.155 (3,94)	.78 (19,8)	.20 (5,1)	.36 (9,1)	.63 (16,0)
DNFR18-205B	-L -M	.205 X .032 (5,2 X 0,8) OR .187 X .032 (4,8 X 0,8)	22-18 (0,5-1,0)	RED	.130 (3,30)	.78 (19,8)	.20 (5,1)	.36 (9,1)	.62 (15,7)
DNFR14-205B	-L -M	.205 X .032 (5,2 X 0,8) OR .187 X .032 (4,8 X 0,8)	16-14 (1,5-2,5)	BLUE	.155 (3,94)	.78 (19,8)	.20 (5,1)	.36 (9,1)	.63 (16,0)
DNFR18-206B	-L -M	.205 X .020 (5,2 X 0,5) OR .187 X .020 (4,8 X 0,5)	22-18 (0,5-1,0)	RED	.130 (3,30)	.78 (19,8)	.20 (5,1)	.36 (9,1)	.62 (15,7)
DNFR14-206B	-L -M	.205 X .020 (5,2 X 0,5) OR .187 X .020 (4,8 X 0,5)	16-14 (1,5-2,5)	BLUE	.155 (3,94)	.78 (19,8)	.20 (5,1)	.36 (9,1)	.63 (16,0)



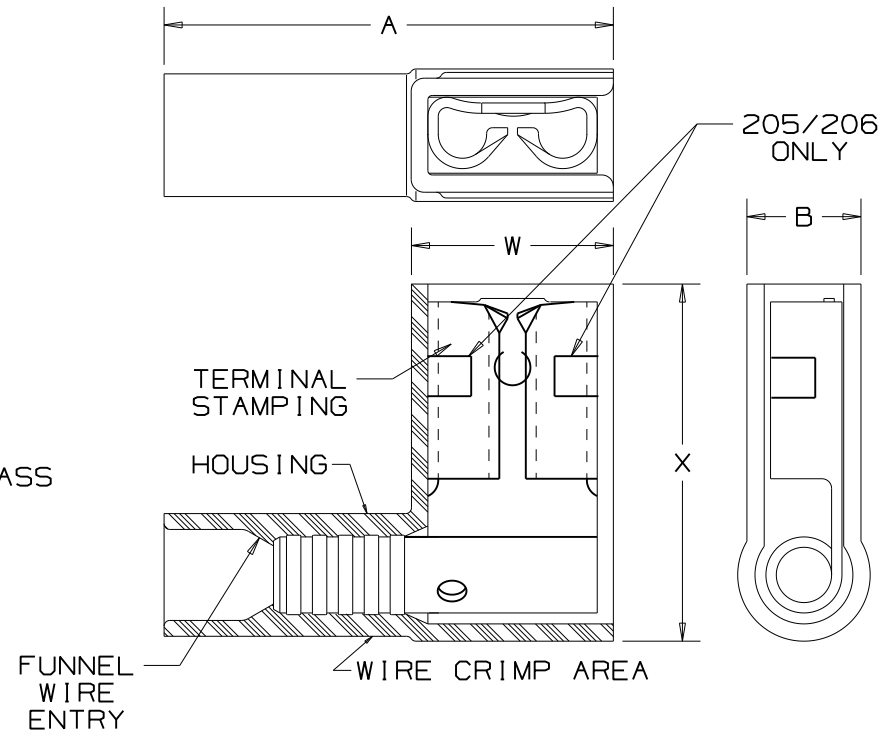
LISTED  
20H3  
E78522



CERTIFIED  
LR31212

NOTES:

- USED FOR:
  - A. 600V MAX VOLTAGE RATING
  - B. 221°F (105°C) MAX INSULATION TEMP. RATING
  - C. STRANDED COPPER WIRE ONLY
- FIRST INSERTION FORCE - 12 LB. (53N) MAX  
FIRST WITHDRAWAL FORCE - 12 LB. (53N) MAX  
6 LB. (27N) MIN
- INSTALLATION TOOLS:
  - A. CT-1525
- WIRE STRIP LENGTH: 9/32 <sup>+1/32</sup><sub>0</sub> (7.1 <sup>+0.8</sup><sub>0</sub>)
- MATERIAL USED:
  - A. TERMINAL STAMPING: .018 (.46) (THK) TIN PLATED BRASS
  - B. HOUSING : NYLON
- PACKAGING QTY:
  - A. STD : -L = 50
  - B. BULK : -M = 1000
- DIMENSIONS IN BRACKETS ARE IN MILLIMETERS OR mm<sup>2</sup>



**PANDUIT**

CORP.

TINLEY PARK, ILLINOIS

MOLDED NYLON INSULATED RIGHT ANGLE FEMALE DISCONNECTS, BUTTED SEAM

07	1/11	SRB	CHANGED PACKAGING CODE FROM C=100 TO L=50
----	------	-----	---

REV	DATE	BY	DESCRIPTION
-----	------	----	-------------

DRAWN BY DAW	CHK'D RLS	SCALE NONE	DRAWING NO. A41329
-----------------	--------------	---------------	-----------------------

## X-ON Electronics

Largest Supplier of Electrical and Electronic Components

*Click to view similar products for [Terminals](#) category:*

*Click to view products by [Panduit](#) manufacturer:*

Other Similar products are found below :

[HT-13-10](#) [71M-250-32-NB](#) [01-2065-1-0216](#) [00581P0075](#) [M10-10RX](#) [M10BCK](#) [60205-1](#) [604200-1](#) [60598-1-CUT-TAPE](#) [60617-1-C](#) [60873-1](#) [M14-516R/SK](#) [M14-6RSX](#) [M18-10FLX](#) [M18-8FBX](#) [M18-8R/LX](#) [M18BCK](#) [61314-6-C](#) [61-S](#) [61-SN-A](#) [62-NBM-A](#) [63-S](#) [640179-1](#) [640917-2-CUT-TAPE](#) [6501550002](#) [66107-2-C](#) [66107-4-C](#) [696683-1](#) [696834-1](#) [696861-1](#) [696931-1](#) [696999-1](#) [M8-516RK](#) [M86700006](#) [MA250DMFMX-A](#) [701-2007](#) [701-2307](#) [701-7761-03](#) [70F-110-32-PB](#) [718-N-A](#) [71M-187-20-NBL](#) [71M-250-32-NBL](#) [72F-187-20-NBL](#) [72M-250-32-NBL](#) [7310](#) [73F-250-32](#) [73F-250-32-NBL](#) [73F-250-32-NL](#) [F14-10C](#) [F-1M](#)