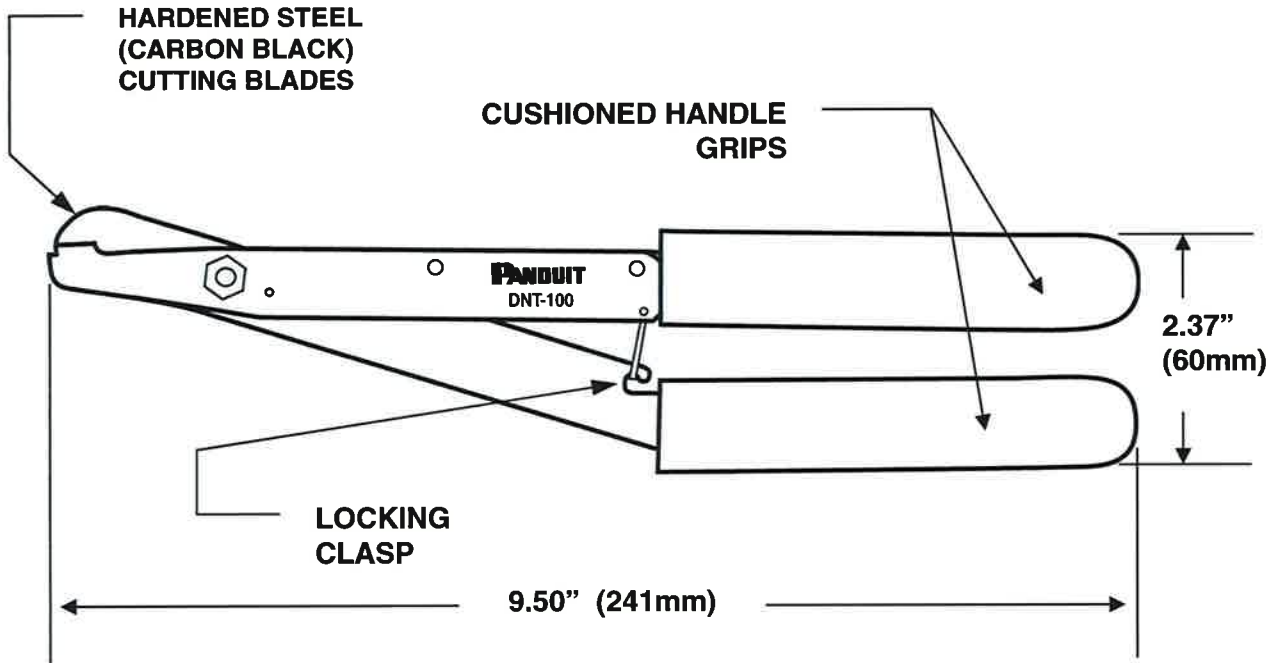


THIS COPY IS PROVIDED ON A RESTRICTED BASIS AND IS NOT TO BE USED IN ANY WAY DETRIMENTAL TO THE INTERESTS OF PANDUIT CORP.



NOTES:

For use with Panduct Plastic Wiring Duct.

- Used to notch the duct sidewall down to the score line to facilitate finger breakouts for corner and 'T' junctions.
- Spring loaded in open position. (Closed position shown in drawing.)

DIMENSIONS ARE FOR REFERENCE ONLY.

WEIGHT: 9.1 oz.
(258 gr.)

						DNT-100 DUCT NOTCHING TOOL					
						CUSTOMER DRAWING					
						ITEM REVISION NAME:		PANDUIT			
						WD24978A01_01		MATERIAL:			
						UNLESS OTHERWISE SPECIFIED, DIMENSIONAL TOLERANCES ARE:		DRAWING NUMBER:			
						(.x) ± -- (.xxx) ± --		WD24978A01			
						(.xx) ± -- ANGLES ± --					
						THIRD ANGLE PROJECTION		SHT 1 OF 1			
REV	DATE	BY	CHK	APR	DESCRIPTION	ECN	DRAWN BY:	DATE:	CHK	SCALE	SIZE
01	2-19-14	BLR	BJPU	<i>[Signature]</i>	UPD TEMPLATE & BRANDING	4713	BLR	3-15-05	MBR	NONE	A

X-ON Electronics

Largest Supplier of Electrical and Electronic Components

Click to view similar products for [Crimpers / Crimping Tools](#) category:

Click to view products by [Panduit](#) manufacturer:

Other Similar products are found below :

[010-0096](#) [M225202-37](#) [6-1579015-5](#) [CT150-2-D02](#) [622-6441LF](#) [M322](#) [6-304052-1](#) [63456-0054](#) [63484-3701](#) [63800-8355](#) [63819-1875](#)
[63819-2875](#) [63819-4475](#) [63823-3475](#) [63827-5375](#) [64001-0975](#) [64001-4175](#) [64005-0175](#) [662903-2](#) [690602-6](#) [7-1579001-9](#) [7-23471-1](#)
[762637-1](#) [808714-1](#) [811242-5](#) [999-50-020083](#) [1-21002-3](#) [1-21002-7](#) [12085270](#) [1-21002-6](#) [1-21113-6](#) [1-22548-4](#) [125442-1](#)
[DCE.91.073.BVC](#) [DCE.91.090.3MVM](#) [DCE.91.130.5MVU](#) [DCE.91.202.BVCM](#) [1338300-1](#) [1-354003-0](#) [1338301-1](#) [DF62/RE-MD](#) [142321](#)
[1456088-1](#) [1490794-1](#) [1-45804-6](#) [1490357-2](#) [1490357-3](#) [AX100749](#) [1-59619-7](#) [1596970-1](#)