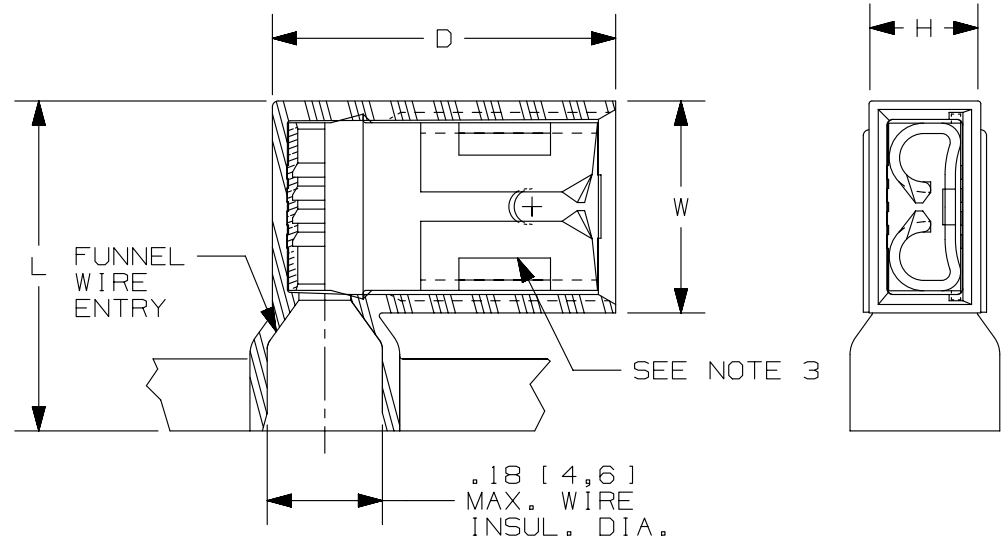


THIS COPY IS PROVIDED ON A RESTRICTED BASIS AND IS NOT TO BE USED IN ANY WAY DETRIMENTAL TO THE INTERESTS OF PANDUIT CORP.

PANDUIT PART #	TAB SIZE in. [mm]	WIRE RANGE		COLOR	DIMENSIONS in. [mm]			
		ENGLISH AWG.	METRIC mm ²		L ± .03 [0,8]	W ± .01 [0,3]	D ± .03 [0,8]	H ± .02 [0,5]
DPFR18250FIB	.250 X .032 [6,3 X 0,8]	22-18	0,5-1,5	RED	.57 [14,5]	.37 [9,4]	.60 [15,2]	.21 [5,3]
DPFR18205FIB	.205 / .187 X .032 [5,2 / 4,7 X 0,8]	22-18	0,5-1,5		.57 [14,5]	.37 [9,4]	.60 [15,2]	.21 [5,3]

NOTES:

- USED FOR:
 - A. STRANDED COPPER WIRE ONLY
 - B. 221°F [105°C] MAX. OPERATING TEMPERATURE
- MATERIAL:
 - A. STAMPING: .018 [0,46] TIN PLATED BRASS
 - B. HOUSING: NYLON, RED
- CURL SLOTS: DPFR18205FIB - ONLY
- INSTALLATION TOOLS:
 - A. RECOMMENDED TOOLS: CP-860, CP-861, CP-851, CP-862
 - APPLICATOR: CA-800, CA9, CA-800EZ
 - CRIMP DIE: CD800-9, CD9-9C
- WIRE STRIP LENGTH: 11/32" ^{+1/32} [8,7 ^{+0,8}]
- SEE www.panduit.com FOR PACKAGE QUANTITIES INDICATED BY PART NUMBER SUFFIX
- DIMENSIONS IN BRACKETS ARE METRIC EQUIVALENT



REV	DATE	BY	CHK	APR	DESCRIPTION	ECN	TITLE	MATERIAL:	DRAWING NUMBER:	SCALE	SIZE	
02	11.02.12	JBN	LCA	VMB	ADDED METRIC EQUIVALENTS UPDATED DRAWING TO CURRENT STANDARDS	A41739	RIGHT ANGLE FEMALE DISCONNECTS, FULLY INSULATED	SEE NOTES	A41739	N.T.S.	A	
							CUSTOMER DRAWING					
							ITEM REVISION NAME	N41739BA/02				
							DATASET FILE NAME	N41739BA_DC/02A				
							UNLESS OTHERWISE SPECIFIED, DIMENSIONAL TOLERANCES ARE: IN [mm]					
							.x ± .1 [2.54]	.xxx ± .005 [.127]				
							.xx ± .01 [.25]	ANGLES ± 5°				
							THIRD ANGLE PROJECTION					
							DRAWN BY	MG	DATE	-	CHK	-
							SCALE		N.T.S.			
							SHT 1 OF 1					

X-ON Electronics

Largest Supplier of Electrical and Electronic Components

Click to view similar products for [Terminals](#) category:

Click to view products by [Panduit](#) manufacturer:

Other Similar products are found below :

[00-054007-01074-6](#) [00-054007-70206-1](#) [00-054007-70210-8](#) [00-054007-70217-7](#) [00-054007-70226-9](#) [00-054007-70228-3](#) [00-054007-70248-1](#) [00-054007-70256-6](#) [00-054007-70301-3](#) [00-054007-70316-7](#) [0-0320562-0](#) [00-054007-49560-4](#) [00-054007-70209-2](#) [00-054007-70225-2](#) [00-054007-70227-6](#) [00-054007-70231-3](#) [00-054007-70241-2](#) [00-054007-70242-9](#) [00-054007-70244-3](#) [00-054007-70246-7](#) [00-054007-70263-4](#) [00-054007-70288-7](#) [00-054007-70290-0](#) [00-054007-70300-6](#) [00-054007-70304-4](#) [01-2065-1-0216](#) [01-2900-1-04412](#) [00581P0075](#) [600TS-10](#) [60205-1](#) [604200-1](#) [605601-1](#) [60598-1-CUT-TAPE](#) [61314-6-C](#) [61810-3](#) [61-S](#) [61-SN](#) [626-0194](#) [62-NBM-A](#) [62-SN](#) [62-SP](#) [63-S](#) [640179-1](#) [M55155/059I03](#) [M55155/079C01](#) [M55155/099H02](#) [M55155/109H01](#) [M55155/109H02](#) [M55155/12XH05](#) [M55155/16XH02](#)