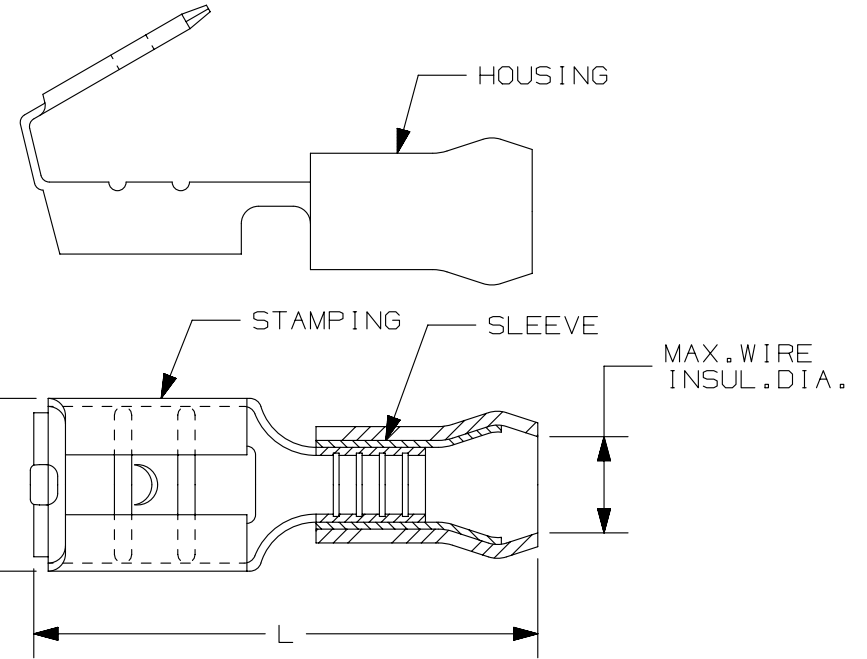


THIS COPY IS PROVIDED ON A RESTRICTED BASIS AND IS NOT TO BE USED IN ANY WAY DETRIMENTAL TO THE INTERESTS OF PANDUIT CORP.

PANDUIT PART #	TAB SIZE in. [mm]	WIRE RANGE		COLOR	MAX. INSUL. in. [mm]	DIMENSIONS in. [mm]	
		AWG	[mm ²]			L ± [0,8]	W ± [0,3]
DV18-250P	.250 X .032 [6,4 X 0,8]	#22-18	[0,5-1,0]	RED	.13 [3,3]	.88 [22,4]	.29 [7,4]
DV14-250P		#16-14	[1,5-2,5]	BLUE	.16 [4,1]	.88 [22,4]	.29 [7,4]

NOTES:

- USED FOR:
 - A. STRANDED COPPER WIRE ONLY
 - B. 194°F [90°C] MAX. OPERATING TEMPERATURE
 - C. 300 V. MAX VOLTAGE RATING
- INSTALLATION TOOLS: CT-100A, CT-160, CT-260, CT-400, CT-1550, CT-1551, CT-2500 (CT-2550CH), CT-600A (CT-550CH)
- WIRE STRIP LENGTH: 1/4" ^{+1/32}₀ [6,3^{0,8}]
- MATERIAL:
 - A. STAMPING: BRASS, TIN PLATED
 - B. HOUSING: VINYL
 - C. SLEEVE: BRASS, TIN PLATED
- SEE www.panduit.com FOR PACKAGE QUANTITIES INDICATED BY PART NUMBER SUFFIX
- DIMENSIONS IN BRACKETS ARE METRIC EQUIVALENT



REV	DATE	BY	CHK	APR	DESCRIPTION	ECN
09	10.03.12	JBN	LCA	VMB	ADDED METRIC EQUIVALENT. REVISED NOTES. UPDATED TO CURRENT STANDARDS.	A41208

TITLE PIGGYBACK DISCONNECT, VINYL INSULATED #22-18 & #16-14 CUSTOMER DRAWING			
ITEM REVISION NAME N41208BB/09		PANDUIT	
DATASET FILE NAME N41208BB_DC/09A			
UNLESS OTHERWISE SPECIFIED, DIMENSIONAL TOLERANCES ARE: IN [mm]		MATERIAL: SEE NOTES	
.x ± .1 [2.54] .xxx ± .005 [.127] .xx ± .01 [.25] ANGLES ± 5°		DRAWING NUMBER: A41208	
THIRD ANGLE PROJECTION	DRAWN BY: DAW DATE: - CHK: - SCALE: N.T.S.		
	SHT 1 OF 1		SIZE: A

D10100DA/15

X-ON Electronics

Largest Supplier of Electrical and Electronic Components

Click to view similar products for [Terminals](#) category:

Click to view products by [Panduit](#) manufacturer:

Other Similar products are found below :

[00-054007-01074-6](#) [00-054007-70206-1](#) [00-054007-70210-8](#) [00-054007-70217-7](#) [00-054007-70226-9](#) [00-054007-70228-3](#) [00-054007-70248-1](#) [00-054007-70256-6](#) [00-054007-70301-3](#) [00-054007-70316-7](#) [0-0320562-0](#) [00-054007-49560-4](#) [00-054007-70209-2](#) [00-054007-70225-2](#) [00-054007-70227-6](#) [00-054007-70231-3](#) [00-054007-70241-2](#) [00-054007-70242-9](#) [00-054007-70244-3](#) [00-054007-70246-7](#) [00-054007-70263-4](#) [00-054007-70288-7](#) [00-054007-70290-0](#) [00-054007-70300-6](#) [00-054007-70304-4](#) [01-2065-1-0216](#) [01-2900-1-04412](#) [00581P0075](#) [600TS-10](#) [60205-1](#) [604200-1](#) [605601-1](#) [60598-1-CUT-TAPE](#) [61314-6-C](#) [61810-3](#) [61-S](#) [61-SN](#) [626-0194](#) [62-NBM-A](#) [62-SN](#) [62-SP](#) [63-S](#) [640179-1](#) [M55155/059I03](#) [M55155/079C01](#) [M55155/099H02](#) [M55155/109H01](#) [M55155/109H02](#) [M55155/12XH05](#) [M55155/16XH02](#)