

# Net-Access™ Enterprise Cabinet – 12 RU

## specifications

The Net-Access™ Enterprise Cabinet shall consist of a metal frame available in 600mm (23.5") width, 1070mm (42.0") depth and 654mm (25.75") height. The top of cabinet shall include two 1.5" x 5.0" breakouts for cable entry openings to prevent air leakage. Cabinets shall include front and rear single hinge doors with 69% open perforation with keyed swing handles and solid single piece steel side panels with ¼ turn locks. The design shall accept 19" patch panels, servers, and network equipment. Cabinet shall come assembled or in a flat packaged carton ready for customer assembly. Cabinets shall have a 567kg (1250 lbs.) load rating and 227kg (500 lbs.) rolling load rating.



**Net-Access™ Enterprise Cabinets  
600mm x 12 RU X 1070mm**

**12 RU, single hinge perforated front and rear doors with keyed swing handles, (2) solid single piece side panels with ¼ turn locks, with casters, black.**

**Fully assembled:** E6212B1  
**Flat packaged:** E6212B1FP  
**Flat packaged five per pallet:** E6212B1FP5

## technical information

<b>Dimensions:</b>	12 RU – 600mm W (23.5") x 1070mm D (42.0) x 654mm H (25.75")
<b>Material:</b>	Steel with durable black polyester epoxy powder coat finish
<b>Compliance:</b>	EIA-310-D TIA/EIA-942
<b>Packaging fully assembled:</b>	Cabinet ships assembled, one per pallet
<b>Packaging flat packed:</b>	One per pallet and five per pallet
<b>Weight:</b>	34.9kg (77 lbs.)

## Accessories

**Cabinet top cable protection bezel for 1.5" x 5.0" cabinet top opening:** CTCN1X5

**Cool Boot® Cabinet Top Air Sealing Fitting for 1.5" x 5.0" cabinet top opening:** CTGN1X5

## key features and benefits

<b>Versatility</b>	Adjustable rear rail and fixed front rail for switch, server, or patching
<b>Single hinge perforated front and rear doors</b>	Secured with keyed swing handles; easy to remove door when door is in open position
<b>Security</b>	Solid single piece steel side panels with ¼ turn locks
<b>Rapid deployment</b>	Assembled with heavy duty casters for easy rolling with equipment; leveling legs enable proper leveling at permanent location
<b>Modularity</b>	Flat pack version takes up less space for storage and assists in getting past stairs or tight locations
<b>Top plate</b>	Two 1.5" x 5" breakouts for cable entry; openings accept CTCN1X5 bezel and blank to protect edges from damaging cable and a blank cover to seal off when not in use (sold as accessory)

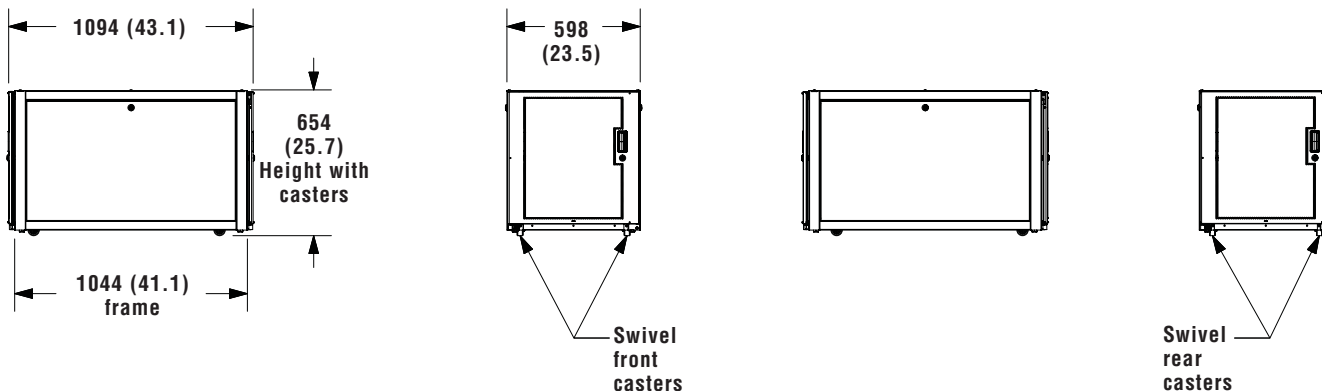
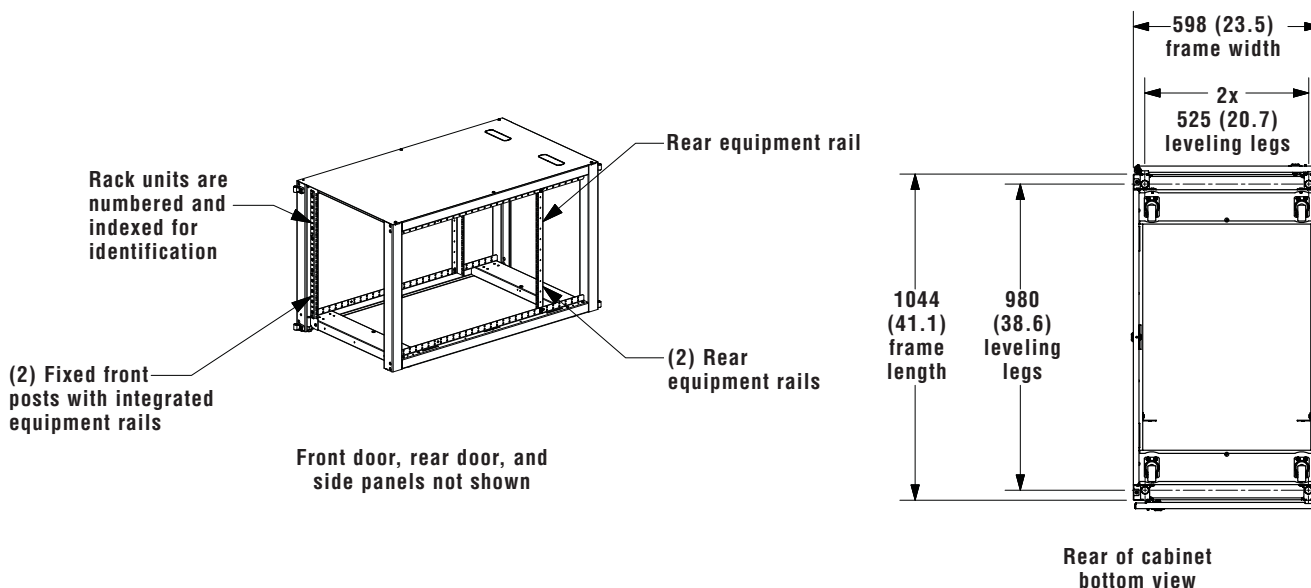
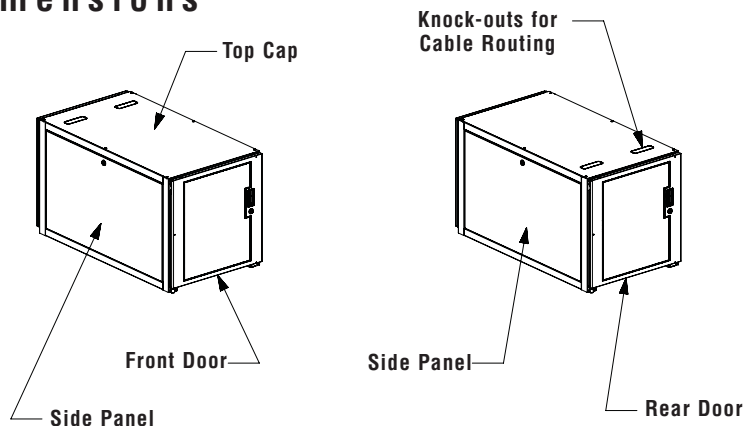
## applications

The 12 RU Net-Access™ Enterprise Cabinet stores switches, patching, and servers used in office and small business areas. They are easy to roll away under a desk or in a closet. The ability of the cabinet to easily move where needed enables fast setups and quick changes

of network capabilities. Perforated doors encourage air flow to help cool equipment in tight spaces. The 12 RU Net-Access™ Enterprise Cabinet is engineered to provide a best in class solution for your enterprise.

# Net-Access™ Enterprise Cabinet – 12 RU

## 12 RU cabinet dimensions



Dimensions are in metric. (Dimensions in parenthesis are in inches)

### WORLDWIDE SUBSIDIARIES AND SALES OFFICES

PANDUIT CANADA  
Markham, Ontario  
cs-cdn@panduit.com  
Phone: 800.777.3300

PANDUIT EUROPE LTD.  
London, UK  
cs-emea@panduit.com  
Phone: 44.20.8601.7200

PANDUIT SINGAPORE PTE. LTD.  
Republic of Singapore  
cs-ap@panduit.com  
Phone: 65.6305.7575

PANDUIT JAPAN  
Tokyo, Japan  
cs-japan@panduit.com  
Phone: 81.3.6863.6000

PANDUIT LATIN AMERICA  
Guadalajara, Mexico  
cs-la@panduit.com  
Phone: 52.33.3777.6000

PANDUIT AUSTRALIA PTY. LTD.  
Victoria, Australia  
cs-aus@panduit.com  
Phone: 61.3.9794.9020

For a copy of Panduit product warranties, log on to [www.panduit.com/warranty](http://www.panduit.com/warranty)

For more information

Visit us at [www.panduit.com](http://www.panduit.com)

Contact Customer Service by email: [cs@panduit.com](mailto:cs@panduit.com)  
or by phone: 800.777.3300

**PANDUIT**®

©2013 Panduit Corp.  
ALL RIGHTS RESERVED.  
RKSP133--WW-ENG  
6/2013

## X-ON Electronics

Largest Supplier of Electrical and Electronic Components

*Click to view similar products for [Racks & Rack Cabinet Accessories](#) category:*

*Click to view products by [Panduit](#) manufacturer:*

Other Similar products are found below :

[CR-1727](#) [M00-PLN](#) [F2420](#) [F2424](#) [8310-1032-SS](#) [9104](#) [PLFF2000](#) [PLFF6000](#) [GP216](#) [PTFA60000LG](#) [H-9163-B](#) [AC220-84-1](#) [HEH050BA](#)  
[1427C3](#) [BAS-5104](#) [N-700-2](#) [190-002](#) [HTL10](#) [HTS10](#) [PC-118](#) [PC-780L](#) [PC-79](#) [PC-800](#) [SC4-28](#) [F3024](#) [AKWAMT](#) [PLFF1000](#) [GRPB12PG](#)  
[CG3-340S/12](#) [2CWDP36](#) [2CWDP48](#) [2SSHINGE](#) [CP-001BK](#) [CPL19431LG1](#) [R570-004-107](#) [M6123-4007-SS](#) [3730-K](#) [TS170](#) [531300535](#)  
[BRX-12290](#) [C4BD3077SBK1](#) [UPS 7-17-14 PLAIN](#) [LP40](#) [5261304-07](#) [CCA26-44-01](#) [706-102](#) [CG3-160G](#) [7112C-PLN ALUM](#) [TS81](#) [7142](#)