

Net-Access™ Enterprise Cabinet – 12 RU

specifications

The Net-Access™ Enterprise Cabinet shall consist of a metal frame available in 600mm (23.5") width, 1070mm (42.0") depth and 654mm (25.75") height. The top of cabinet shall include two 1.5" x 5.0" breakouts for cable entry openings to prevent air leakage. Cabinets shall include front and rear single hinge doors with 69% open perforation with keyed swing handles and solid single piece steel side panels with ¼ turn locks. The design shall accept 19" patch panels, servers, and network equipment. Cabinet shall come assembled or in a flat packaged carton ready for customer assembly. Cabinets shall have a 567kg (1250 lbs.) load rating and 227kg (500 lbs.) rolling load rating.



**Net-Access™ Enterprise Cabinets
600mm x 12 RU X 1070mm**

12 RU, single hinge perforated front and rear doors with keyed swing handles, (2) solid single piece side panels with ¼ turn locks, with casters, black.

Fully assembled: E6212B1
Flat packaged: E6212B1FP
Flat packaged five per pallet: E6212B1FP5

technical information

Dimensions:	12 RU – 600mm W (23.5") x 1070mm D (42.0) x 654mm H (25.75")
Material:	Steel with durable black polyester epoxy powder coat finish
Compliance:	EIA-310-D TIA/EIA-942
Packaging fully assembled:	Cabinet ships assembled, one per pallet
Packaging flat packed:	One per pallet and five per pallet
Weight:	34.9kg (77 lbs.)

Accessories

Cabinet top cable protection bezel for 1.5" x 5.0" cabinet top opening: CTCN1X5

Cool Boot® Cabinet Top Air Sealing Fitting for 1.5" x 5.0" cabinet top opening: CTGN1X5

key features and benefits

Versatility	Adjustable rear rail and fixed front rail for switch, server, or patching
Single hinge perforated front and rear doors	Secured with keyed swing handles; easy to remove door when door is in open position
Security	Solid single piece steel side panels with ¼ turn locks
Rapid deployment	Assembled with heavy duty casters for easy rolling with equipment; leveling legs enable proper leveling at permanent location
Modularity	Flat pack version takes up less space for storage and assists in getting past stairs or tight locations
Top plate	Two 1.5" x 5" breakouts for cable entry; openings accept CTCN1X5 bezel and blank to protect edges from damaging cable and a blank cover to seal off when not in use (sold as accessory)

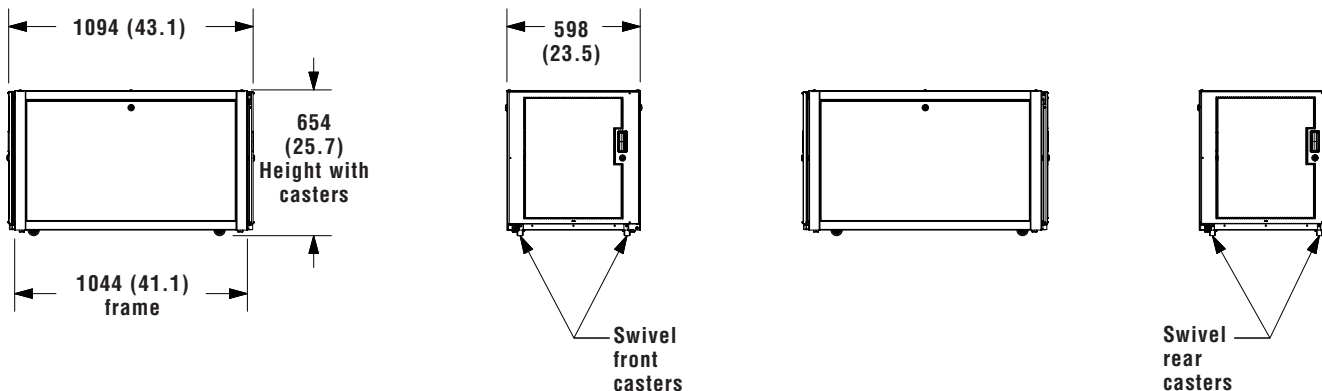
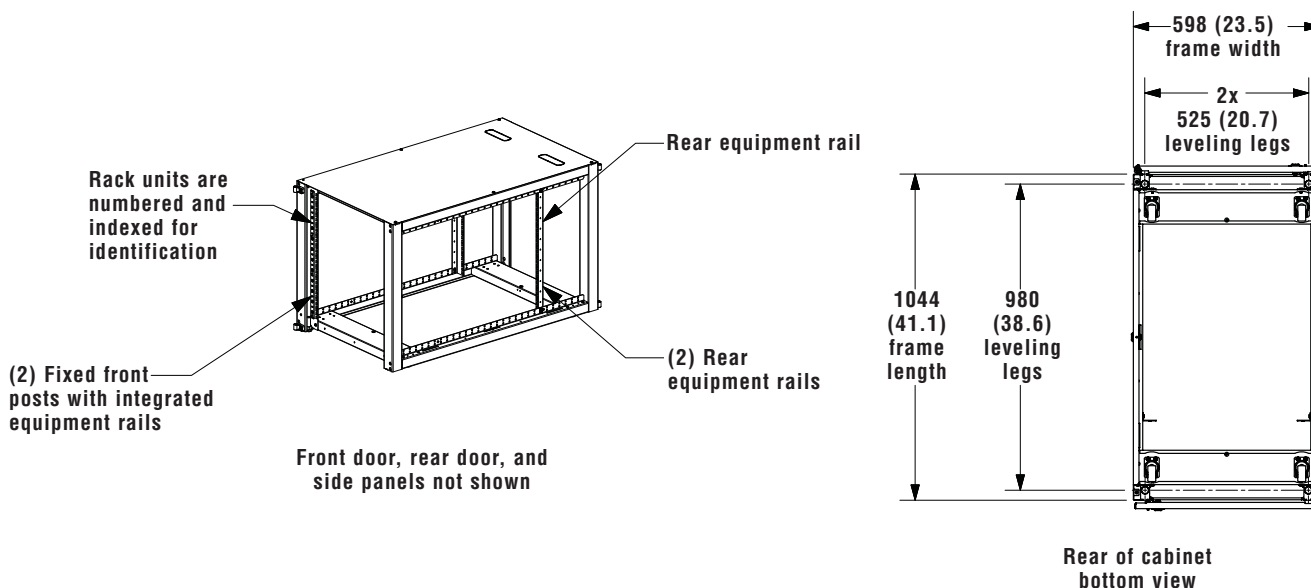
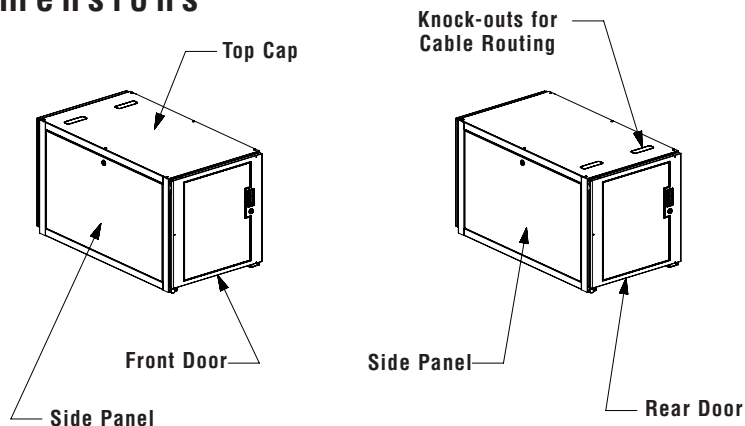
applications

The 12 RU Net-Access™ Enterprise Cabinet stores switches, patching, and servers used in office and small business areas. They are easy to roll away under a desk or in a closet. The ability of the cabinet to easily move where needed enables fast setups and quick changes

of network capabilities. Perforated doors encourage air flow to help cool equipment in tight spaces. The 12 RU Net-Access™ Enterprise Cabinet is engineered to provide a best in class solution for your enterprise.

Net-Access™ Enterprise Cabinet – 12 RU

12 RU cabinet dimensions



Dimensions are in metric. (Dimensions in parenthesis are in inches)

WORLDWIDE SUBSIDIARIES AND SALES OFFICES

PANDUIT CANADA
Markham, Ontario
cs-cdn@panduit.com
Phone: 800.777.3300

PANDUIT EUROPE LTD.
London, UK
cs-emea@panduit.com
Phone: 44.20.8601.7200

PANDUIT SINGAPORE PTE. LTD.
Republic of Singapore
cs-ap@panduit.com
Phone: 65.6305.7575

PANDUIT JAPAN
Tokyo, Japan
cs-japan@panduit.com
Phone: 81.3.6863.6000

PANDUIT LATIN AMERICA
Guadalajara, Mexico
cs-la@panduit.com
Phone: 52.33.3777.6000

PANDUIT AUSTRALIA PTY. LTD.
Victoria, Australia
cs-aus@panduit.com
Phone: 61.3.9794.9020

For a copy of Panduit product warranties, log on to www.panduit.com/warranty

For more information

Visit us at www.panduit.com

Contact Customer Service by email: cs@panduit.com
or by phone: 800.777.3300

PANDUIT®

©2013 Panduit Corp.
ALL RIGHTS RESERVED.
RKSP133--WW-ENG
6/2013

X-ON Electronics

Largest Supplier of Electrical and Electronic Components

Click to view similar products for [Racks & Rack Cabinet Accessories](#) category:

Click to view products by [Panduit](#) manufacturer:

Other Similar products are found below :

[M00-PLN](#) [F2424](#) [8351-832-A-24](#) [9104](#) [9105](#) [PLFF2000](#) [H-9163-B](#) [1427C3](#) [HTS10](#) [PC-79](#) [SC10-3A](#) [SC4-28](#) [CG3-340S/12](#) [CP-001BK](#)
[M6123-4007-SS](#) [TS170](#) [LP40](#) [5261304-07](#) [CG3-160G](#) [7112C-PLN](#) [ALUM](#) [CM10](#) [8610-3124-S-26](#) [TS81](#) [7142](#) [GP134](#) [M6125-4007-A-24](#)
[M6127-4007-SS](#) [PBCOVER](#) [512](#) [AEG-4000G](#) [AEG-3000G](#) [HD99](#) [SR2-66A2](#) [FP10B4HP-1](#) [FP52-2](#) [1406-1006-01](#) [29478](#) [TS2535](#) [TS169-](#)
[6](#) [CAC2](#) [HA19-3U](#) [BR-19-10-1](#) [TS180](#) [CG3-ESD](#) [SC11-1](#) [CFS-1.00/2.20](#) [AX6145WM](#) [HEC0800PB](#) [ZC633R](#) [140PLN](#)