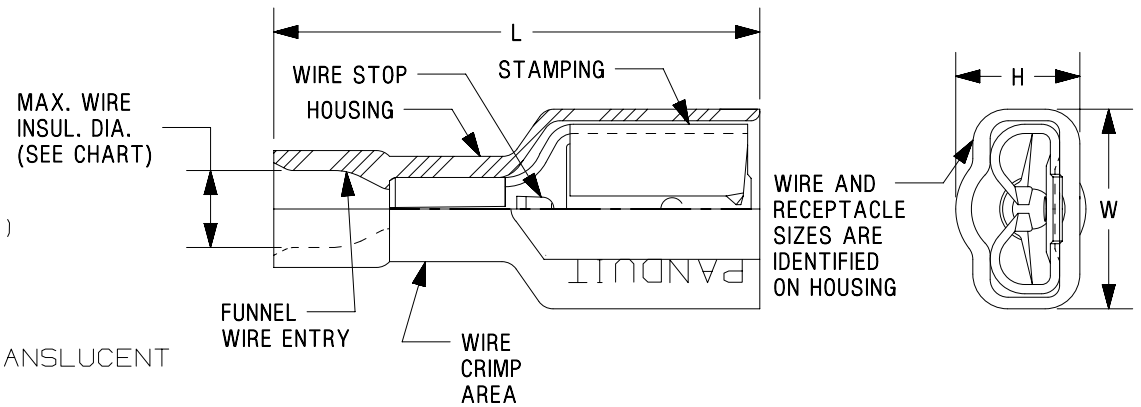


THIS COPY IS PROVIDED ON A RESTRICTED BASIS AND IS NOT TO BE USED IN ANY WAY DETRIMENTAL TO THE INTERESTS OF PANDUIT CORP.

PANDUIT PART #	WIRE RANGE AWG [mm ²]	TAB SIZE INCH [mm]	HOUSING COLOR	MAX. WIRE INSULATION DIA.	DIMENSIONS in. [mm]		
					L± [0,8]	W± [0,3]	H± [0,5]
EDNF18-250F1B	#22-18 [0,5-1,0]	.250 X .032 [6,3 X 0,8]	RED	.136 [3,6]	.84 [21,3]	.35 [8,9]	.22 [5,6]
EDNF18-188F1B		.187 X .020 [4,8 X 0,5]			.78 [19,8]	.29 [7,4]	.16 [4,1]
EDNF14-250F1B	#16-14 [1,5-2,5]	.250 X .032 [6,3 X 0,8]	BLUE	.160 [4,1]	.84 [21,3]	.35 [8,9]	.22 [5,6]
EDNF14-188F1B		.187 X .020 [4,8 X 0,5]			.78 [19,8]	.29 [7,4]	.18 [4,6]

NOTES:

- USED FOR:
 - A. STRANDED COPPER WIRE ONLY
 - B. 221°F [105°C] MAX OPERATING TEMP. (CSA)
 - C. 257°F [125°C] MAX OPERATING TEMP. (UL)
 - D. 600V. MAX. VOLTAGE RATING
- MATERIAL:
 - A. STAMPING: CDA 260 BRASS, TIN PLATED
 - B. HOUSING: TYPE 6/6 NYLON, COLOR IS TRANSLUCENT
- INSTALLATION TOOLS:
 - A. UL LISTED AND CSA CERTIFIED: CT-1525, CT-2500 (CT-2520CH)
 - B. PANDUIT APPROVED: CT-100A, CT-160, CT-260, CT-600A (CT-520CH)
- WIRE STRIP LENGTH $9/32'' \begin{smallmatrix} +1/32 \\ -0 \end{smallmatrix}$ [7.1mm $\begin{smallmatrix} +0.8 \\ -0 \end{smallmatrix}$]
- INITIAL INSERTION/WITHDRAW FORCE: 6-12 Lb [27-32 N]
- SEE www.panduit.com FOR PACKAGE QUANTITIES INDICATED BY PART NUMBER SUFFIX
- DIMENSIONS IN BRACKETS ARE METRIC EQUIVALENT



LISTED
587H
E78522



CERTIFIED
LR31212

TITLE
**STRONGHOLD FEMALE DISCONNECTS (188, 250 SERIES)
NYLON FULLY INSULATED, FUNNEL ENTRY #22-14 AWG**

CUSTOMER DRAWING

ITEM REVISION NAME
00123SHH/00

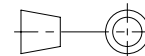
DATASET FILE NAME
00123SHH_DC/00



UNLESS OTHERWISE SPECIFIED,
DIMENSIONAL TOLERANCES ARE: IN [mm]

.x ± .1 [2.54] .xxx ± .005 [.127]
.xx ± .01 [.25] ANGLES ± 5 °

MATERIAL:
SEE NOTES



THIRD ANGLE
PROJECTION

DRAWING NUMBER:
SH41196

00	2/18	JHNU	TMR	RGB	RELEASED	00123SH
----	------	------	-----	-----	----------	---------

REV	DATE	BY	CHK	APR	DESCRIPTION	ECN

DRAWN BY WJB	DATE 01.06.99	CHK -	SCALE N.T.S.	SHEET 1 OF 1	SIZE A
------------------------	-------------------------	-----------------	------------------------	--------------	------------------

X-ON Electronics

Largest Supplier of Electrical and Electronic Components

Click to view similar products for [Terminals](#) category:

Click to view products by [Panduit](#) manufacturer:

Other Similar products are found below :

[00-054007-01074-6](#) [00-054007-70206-1](#) [00-054007-70210-8](#) [00-054007-70217-7](#) [00-054007-70226-9](#) [00-054007-70228-3](#) [00-054007-70248-1](#) [00-054007-70256-6](#) [00-054007-70301-3](#) [00-054007-70316-7](#) [0-0320562-0](#) [00-054007-49560-4](#) [00-054007-70209-2](#) [00-054007-70225-2](#) [00-054007-70227-6](#) [00-054007-70231-3](#) [00-054007-70241-2](#) [00-054007-70242-9](#) [00-054007-70244-3](#) [00-054007-70246-7](#) [00-054007-70263-4](#) [00-054007-70288-7](#) [00-054007-70290-0](#) [00-054007-70300-6](#) [00-054007-70304-4](#) [01-2065-1-0216](#) [01-2900-1-04412](#) [00581P0075](#) [600TS-10](#) [60205-1](#) [604200-1](#) [605601-1](#) [60598-1-CUT-TAPE](#) [61314-6-C](#) [61810-3](#) [61-S](#) [61-SN](#) [626-0194](#) [62-NBM-A](#) [62-SN](#) [62-SP](#) [63-S](#) [640179-1](#) [M55155/059I03](#) [M55155/079C01](#) [M55155/099H02](#) [M55155/109H01](#) [M55155/109H02](#) [M55155/12XH05](#) [M55155/16XH02](#)