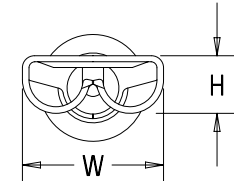


THIS COPY IS PROVIDED ON A RESTRICTED BASIS AND IS NOT TO BE USED IN ANY WAY DETRIMENTAL TO THE INTERESTS OF PANDUIT CORP.

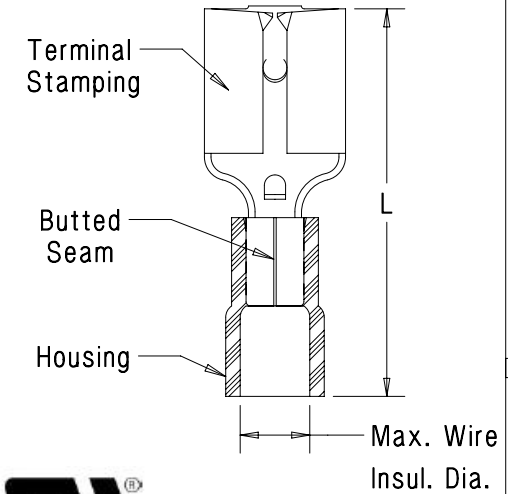
PANDUIT PART #	WIRE RANGE AWG [mm ²]	TAB SIZE INCH [mm]	HOUSING COLOR	MAX. WIRE INSULATION DIA.	DIMENSIONS in. [mm]		
					L± .03 [0,8]	W± .01 [0,3]	H± .02 [0,5]
EDV18-188B	#22-18 [0,5-1,0]	.187 X .020 [4,8 X 0,5]	RED	.136 [3,45]	.79 [20,1]	.23 [5,8]	.10 [2,5]
EDV14-188B*	#16-14 [1,5-2,5]	.187 X .020 [4,8 X 0,5]	BLUE	.162 [4,11]	.79 [20,1]	.23 [5,8]	.10 [2,5]



*UL RECOGNIZED ONLY

NOTES:

- UL LISTED AND CSA CERTIFIED FOR:
 - STRANDED COPPER WIRE ONLY
 - 221°F (105°C) MAX TEMP RATING
 - 600V MAX VOLTAGE
- MATERIAL:
 - STAMPING: .016" (0.41) THK BRASS, TIN PLATED
 - HOUSING: VINYL
- INSTALLATION TOOLS:
 - UL LISTED AND CSA CERTIFIED: CT-520, CT-1525
 - UL RECOGNIZED: CT-520, CT-1525
- WIRE STRIP LENGTH 1/4" ^{+1/32} ₋₀ [6.3mm ^{+0.8} ₋₀]
- FIRST INSERTION FORCE: 12 LB (53N) MAX
 FIRST WITHDRAWAL FORCE: 12 LB (53N) MAX
 6 LB (27N) MIN
- SEE WWW.PANDUIT.COM FOR PACKAGE QUANTITIES INDICATED BY PART NUMBER SUFFIX
- DIMENSIONS IN BRACKETS ARE METRIC EQUIVALENT



LISTED
20H3
E78522



CERTIFIED
LR31212



RECOGNIZED
E78522

TITLE STRONGHOLD FEMALE DISCONNECT (188 SERIES) VINYL INSULATED, BUTTED SEAM #22-14 AWG	
CUSTOMER DRAWING	
ITEM REVISION NAME	00123STL/00
DATASET FILE NAME	00123STL/00
UNLESS OTHERWISE SPECIFIED, DIMENSIONAL TOLERANCES ARE: IN [mm] .x ± .1 [2.54] .xxx ± .005 [.127] .xx ± .01 [.25] ANGLES ± 5 °	MATERIAL: SEE NOTES
THIRD ANGLE PROJECTION	DRAWING NUMBER: SH41554
DRAWN BY JHNU	DATE 2/18
CHK TMR	SCALE NTS
SHT 1 OF 1	
SIZE A	

REV	DATE	BY	CHK	APR	DESCRIPTION	ECN
00	2/18	JHNU	TMR	RGB	RELEASED	00123SH

D10100DA/20

X-ON Electronics

Largest Supplier of Electrical and Electronic Components

Click to view similar products for [Terminals](#) category:

Click to view products by [Panduit](#) manufacturer:

Other Similar products are found below :

[00-054007-01074-6](#) [00-054007-70206-1](#) [00-054007-70210-8](#) [00-054007-70217-7](#) [00-054007-70226-9](#) [00-054007-70228-3](#) [00-054007-70248-1](#) [00-054007-70256-6](#) [00-054007-70301-3](#) [00-054007-70316-7](#) [0-0320562-0](#) [00-054007-49560-4](#) [00-054007-70209-2](#) [00-054007-70225-2](#) [00-054007-70227-6](#) [00-054007-70231-3](#) [00-054007-70241-2](#) [00-054007-70242-9](#) [00-054007-70244-3](#) [00-054007-70246-7](#) [00-054007-70263-4](#) [00-054007-70288-7](#) [00-054007-70290-0](#) [00-054007-70300-6](#) [00-054007-70304-4](#) [01-2065-1-0216](#) [01-2900-1-04412](#) [00581P0075](#) [600TS-10](#) [60205-1](#) [604200-1](#) [605601-1](#) [60598-1-CUT-TAPE](#) [61314-6-C](#) [61810-3](#) [61-S](#) [61-SN](#) [626-0194](#) [62-NBM-A](#) [62-SN](#) [62-SP](#) [63-S](#) [640179-1](#) [M55155/059I03](#) [M55155/079C01](#) [M55155/099H02](#) [M55155/109H01](#) [M55155/109H02](#) [M55155/12XH05](#) [M55155/16XH02](#)