

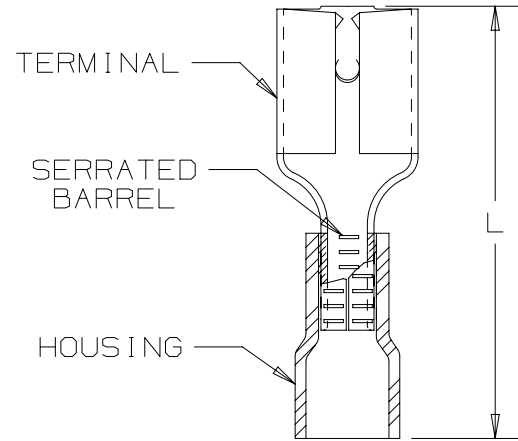
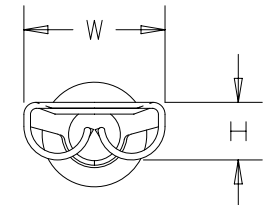
THIS COPY IS PROVIDED ON A RESTRICTED BASIS AND IS NOT TO BE USED IN ANY WAY DETRIMENTAL TO THE INTERESTS OF PANDUIT CORP.

PANDUIT PART #	WIRE RANGE AWG [ mm <sup>2</sup> ]	TAB SIZE INCH [ mm ]	HOUSING COLOR	MAX WIRE INSULATION DIA.	DIMENSIONS in. [ mm ]		
					L± .03 [ 0,8 ]	W± .01 [ 0,3 ]	H± .01 [ 0,3 ]
EDV18-250B	#22-18 [ 0,5-1,0 ]	.250 X .032 [ 6,3 X 0,8 ]	RED	.150 [ 3,8 ]	.81 [ 20,6 ]	.29 [ 7,4 ]	.12 [ 3,0 ]
EDV14-250B*	#16-14 [ 1,5-2,5 ]	.250 X .032 [ 6,3 X 0,8 ]	BLUE	.170 [ 4,3 ]	.81 [ 20,6 ]	.29 [ 7,4 ]	.12 [ 3,0 ]

\*UL RECOGNIZED ONLY

NOTES:

- UL LISTED AND CSA CERTIFIED FOR:
  - STRANDED COPPER WIRE ONLY
  - 221°F (105°C) MAX TEMP RATING
  - 600V MAX VOLTAGE
- MATERIAL:
  - STAMPING: .016" (0.41) THK BRASS, TIN PLATED
  - HOUSING: VINYL
- INSTALLATION TOOLS:
  - UL LISTED AND CSA CERTIFIED: CT-520, CT-1525
  - UL RECOGNIZED: CT-520, CT-1525
- WIRE STRIP LENGTH 1/4" <sup>+1/32</sup> <sub>-0</sub> [ 6.3mm <sup>+0.8</sup> <sub>-0</sub> ]
- FIRST INSERTION FORCE: 12 LB (53N) MAX  
 FIRST WITHDRAWAL FORCE: 12 LB (53N) MAX  
 6 LB (27N) MIN
- SEE WWW.PANDUIT.COM FOR PACKAGE QUANTITIES INDICATED BY PART NUMBER SUFFIX
- DIMENSIONS IN BRACKETS ARE METRIC EQUIVALENT



MAX. WIRE INSUL. DIA.

TITLE <b>STRONGHOLD FEMALE DISCONNECT (250 SERIES)</b> <b>VINYL INSULATED, BUTTED SEAM #22-14 AWG</b> CUSTOMER DRAWING	
ITEM REVISION NAME	00123SHJ/00
DATASET FILE NAME	00123SHJ/00
UNLESS OTHERWISE SPECIFIED, DIMENSIONAL TOLERANCES ARE: IN [ mm ] .x ± .1 [ 2.54 ]      .xxx ± .005 [ .127 ] .xx ± .01 [ .25 ]      ANGLES ± 5 °	
THIRD ANGLE PROJECTION	
MATERIAL: SEE NOTES	
DRAWING NUMBER: SH41307	
DRAWN BY	JHNU
DATE	2/18
CHK	TMR
SCALE	NTS
SHT 1 OF 1	
SIZE	A

00	2/18	JHNU	TMR	RGB	RELEASED	00123SH
REV	DATE	BY	CHK	APR	DESCRIPTION	ECN

D10100DA/20

## X-ON Electronics

Largest Supplier of Electrical and Electronic Components

*Click to view similar products for [Terminals](#) category:*

*Click to view products by [Panduit](#) manufacturer:*

Other Similar products are found below :

[00-054007-01074-6](#) [00-054007-70206-1](#) [00-054007-70210-8](#) [00-054007-70217-7](#) [00-054007-70226-9](#) [00-054007-70228-3](#) [00-054007-70248-1](#) [00-054007-70256-6](#) [00-054007-70301-3](#) [00-054007-70316-7](#) [0-0320562-0](#) [00-054007-49560-4](#) [00-054007-70209-2](#) [00-054007-70225-2](#) [00-054007-70227-6](#) [00-054007-70231-3](#) [00-054007-70241-2](#) [00-054007-70242-9](#) [00-054007-70244-3](#) [00-054007-70246-7](#) [00-054007-70263-4](#) [00-054007-70288-7](#) [00-054007-70290-0](#) [00-054007-70300-6](#) [00-054007-70304-4](#) [01-2065-1-0216](#) [01-2900-1-04412](#) [00581P0075](#) [600TS-10](#) [60205-1](#) [604200-1](#) [605601-1](#) [60598-1-CUT-TAPE](#) [61314-6-C](#) [61810-3](#) [61-S](#) [61-SN](#) [626-0194](#) [62-NBM-A](#) [62-SN](#) [62-SP](#) [63-S](#) [640179-1](#) [M55155/059I03](#) [M55155/079C01](#) [M55155/099H02](#) [M55155/109H01](#) [M55155/109H02](#) [M55155/12XH05](#) [M55155/16XH02](#)