

2

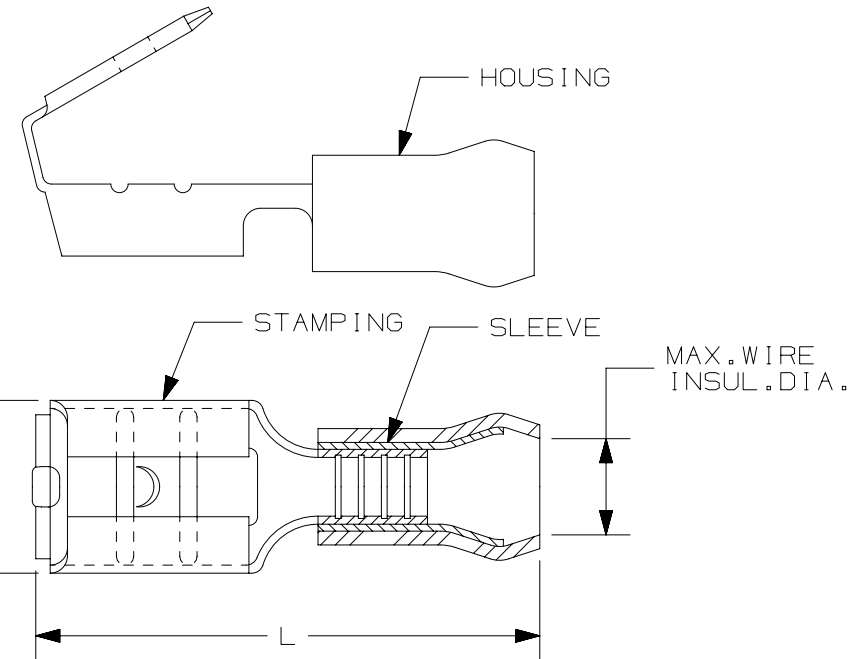
1

THIS COPY IS PROVIDED ON A RESTRICTED BASIS AND IS NOT TO BE USED IN ANY WAY DETRIMENTAL TO THE INTERESTS OF PANDUIT CORP.

PANDUIT PART #	WIRE RANGE AWG [mm ²]	TAB SIZE in. [mm]	COLOR	MAX. INSUL. in. [mm]	DIMENSIONS in. [mm]	
					L ± .03 [0,8]	W ± .01 [0,3]
EDV18-250P	#22-18 [0,5-1,0]	.250 X .032 [6,4 X 0,8]	RED	.13 [3,3]	.88 [22,4]	.29 [7,4]
EDV14-250P	#16-14 [1,5-2,5]		BLUE	.16 [4,1]	.88 [22,4]	.29 [7,4]

NOTES:

- USED FOR:
 - STRANDED COPPER WIRE ONLY
 - 194°F [90°C] MAX. OPERATING TEMPERATURE
 - 300 V. MAX VOLTAGE RATING
- MATERIAL:
 - STAMPING: BRASS, TIN PLATED
 - HOUSING: VINYL
 - SLEEVE: BRASS, TIN PLATED
- INSTALLATION TOOLS: CT-100A, CT-160, CT-260, CT-400, CT-1550, CT-1551, CT-2500 (CT-2550CH), CT-600A (CT-550CH)
- WIRE STRIP LENGTH: $1/4'' \begin{matrix} +1/32 \\ -0 \end{matrix}$ [6,3mm $\begin{matrix} +0,8 \\ -0 \end{matrix}$]
- SEE www.panduit.com FOR PACKAGE QUANTITIES INDICATED BY PART NUMBER SUFFIX
- DIMENSIONS IN BRACKETS ARE METRIC EQUIVALENT



00	2/18	JHNU	TMR	RGB	RELEASED						00123SH				
REV	DATE	BY	CHK	APR	DESCRIPTION	ECN	DRAWN BY	DATE	CHK	SCALE	DRAWING NUMBER	SHT	OF	SIZE	
							TMR	2/18	TMR	NTS	SHT 1 OF 1			A	

TITLE STRONGHOLD PIGGYBACK DISCONNECT VINYL INSULATED, METAL SLEEVE #22-14 AWG CUSTOMER DRAWING	
ITEM REVISION NAME 00123STA/00	PANDUIT
DATASET FILE NAME 00123STA_DC/00	
UNLESS OTHERWISE SPECIFIED, DIMENSIONAL TOLERANCES ARE: IN [mm] .x ± .1 [2.54] .xxx ± .005 [.127] .xx ± .01 [.25] ANGLES ± 5 °	
MATERIAL: SEE NOTES	
DRAWING NUMBER: SH41208	
THIRD ANGLE PROJECTION	

2

1

D110100DX/15

X-ON Electronics

Largest Supplier of Electrical and Electronic Components

Click to view similar products for [Terminals](#) category:

Click to view products by [Panduit](#) manufacturer:

Other Similar products are found below :

[00-054007-01074-6](#) [00-054007-70206-1](#) [00-054007-70210-8](#) [00-054007-70217-7](#) [00-054007-70226-9](#) [00-054007-70228-3](#) [00-054007-70248-1](#) [00-054007-70256-6](#) [00-054007-70301-3](#) [00-054007-70316-7](#) [0-0320562-0](#) [00-054007-49560-4](#) [00-054007-70209-2](#) [00-054007-70225-2](#) [00-054007-70227-6](#) [00-054007-70231-3](#) [00-054007-70241-2](#) [00-054007-70242-9](#) [00-054007-70244-3](#) [00-054007-70246-7](#) [00-054007-70263-4](#) [00-054007-70288-7](#) [00-054007-70290-0](#) [00-054007-70300-6](#) [00-054007-70304-4](#) [01-2065-1-0216](#) [01-2900-1-04412](#) [00581P0075](#) [600TS-10](#) [60205-1](#) [604200-1](#) [605601-1](#) [60598-1-CUT-TAPE](#) [61314-6-C](#) [61810-3](#) [61-S](#) [61-SN](#) [626-0194](#) [62-NBM-A](#) [62-SN](#) [62-SP](#) [63-S](#) [640179-1](#) [M55155/059I03](#) [M55155/079C01](#) [M55155/099H02](#) [M55155/109H01](#) [M55155/109H02](#) [M55155/12XH05](#) [M55155/16XH02](#)