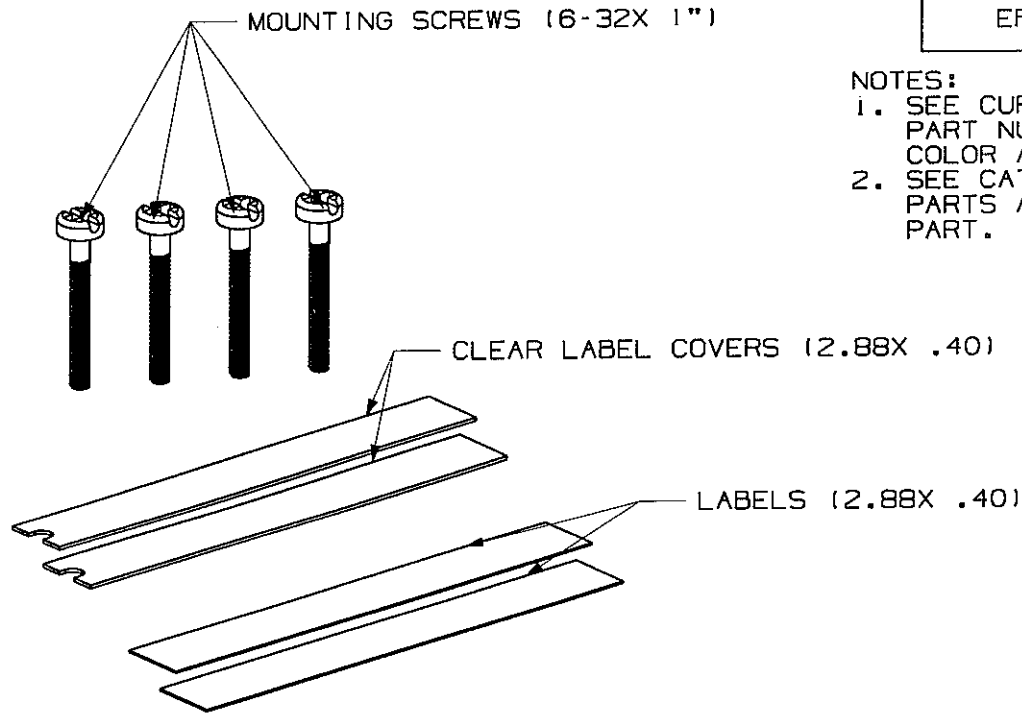


THIS COPY IS PROVIDED ON A RESTRICTED BASIS AND IS NOT TO BE USED IN ANY WAY DETRIMENTAL TO THE INTERESTS OF PANDUIT CORP.

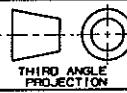
| | |
|-------------|-----------------------------------|
| PANDUIT P/N | WEIGHT |
| EFPK102GY | .30 LB/10 PCS (136.1 g/10 PCS) |



NOTES:

1. SEE CURRENT CATALOG FOR ADDITIONAL PART NUMBER SUFFIXES TO INDICATE COLOR AND OR PACKAGE QUANTITY.
2. SEE CATALOG FOR COMPLETE LIST OF PARTS APPLICABLE FOR USE WITH THIS PART.

NETWORK SYSTEMS
MAY 26 2006
ENGINEERING DEPT

| | | | | |
|---|--|------------------------|-----------|---|
| DRAWING FILENAME | | M024791W_DC233_00A.PRT | SIZE | A |
| DOUBLE GANG FACEPLATE LABEL KIT CUSTOMER DRAWING | | | | |
| PANDUIT TM CORP. TINLEY PARK, ILL 60477 | | 1:1 NUMBER | N/A | |
|  THIRD ANGLE PROJECTION | | PRODUCT SPEC | N/A | |
| <small>ALL DIMENSIONS ARE GIVEN IN INCHES, UNLESS OTHERWISE SPECIFIED.</small> <small>DIMENSIONAL TOLERANCES ARE:</small> (.X) ± (.XXX) ± .01(.3) (.XX) ± .03(.8) ANGLES ± | | WORK INSTRUCTION | N/A | |
| DRAWN BY JsP | | SCALE | NONE | |
| DATE 4-19-06 | | PART NO. | EFPK102GY | |
| CHK'D MAD | | DRAWING NO. | 02479-233 | |

| | | | | | | | | | |
|-----|---------|-----|-----|------------------------|-----------|---|------|-----|-----|
| | | | | | | | | | |
| R | 4-19-06 | JsP | | RELEASED TO PRODUCTION | 02479-233 | | | | |
| REV | DATE | BY | CHK | DESCRIPTION | ECN | R | CUST | SUP | OTH |

X-ON Electronics

Largest Supplier of Electrical and Electronic Components

Click to view similar products for [Wire Labels & Markers](#) category:

Click to view products by [Panduit](#) manufacturer:

Other Similar products are found below :

[89078GBEST](#) [89082GBESR](#) [89082GBEST](#) [PCL025-4](#) [5761-2SF](#) [58400](#) [586R734H02](#) [M1.040.0000.6](#) [CRS-CM5M](#) [CRS-M18M](#) [CS1836-000](#) [CS8626-000](#) [CU6337-000](#) [CU6342-000](#) [CU6343-000](#) [CWD01-0](#) [CWD012-0](#) [CWD012-7](#) [CWD015-3](#) [CWD015-7](#) [CWD02-0](#) [CWD02-3](#) [CWD02-4](#) [CWD02-6](#) [CWD02-8](#) [CWD02-A](#) [CWD02-D](#) [CWD02-H](#) [CWD02-K](#) [CWD02-L](#) [CWD02-M](#) [CWD02-P](#) [CWD02-Q](#) [CWD02-R](#) [CWD02-U](#) [CWD02-W](#) [CWD02-Y](#) [CWD03-+](#) [CWD03-0](#) [CWD03-P](#) [CWD06-0](#) [CWD06-8](#) [CWD06-9](#) [CWD06-L](#) [CWD06-N](#) [CWD09-0](#) [CWD09-5](#) [CWD09-7](#) [6806810001](#) [CZ2857-000](#)