

# Mini-Com<sup>®</sup> Executive Series Faceplates

# PANDUIT<sup>®</sup>

SPECIFICATION SHEET

## specifications

Faceplates shall be available in 1, 2, 4, and 6-port single gang and 10-port double gang with label and label cover for easy identification. Each faceplate shall accept Mini-Com<sup>®</sup> Modules for UTP, STP, fiber optic, and audio/video that snap in and out. Executive Series faceplates shall have a raised profile for an aesthetic appearance.



## technical information

<b>Mounting options:</b>	Screw holes with retention tabs, spaced for single and double gang openings; compatible with Panduit wall board adapters
<b>Packaging:</b>	Supplied with two or four 1" long, #6 – 32 slotted head screws, labels and label covers; faceplates packaged one per bag, ten per box

## key features and benefits

<b>Modular</b>	Accepts all Mini-Com <sup>®</sup> Modules which snap in and out for easy moves, adds, and changes
<b>Identification</b>	Includes built-in label pocket for easy identification
<b>Various port densities</b>	Provides design flexibility
<b>Slotted screw holes</b>	Allows faceplate to be adjusted to ensure proper alignment

## applications

Mini-Com<sup>®</sup> Executive Series Faceplates are compatible with standard size single gang and double gang junction boxes. Faceplates can also be mounted to wallboard adapters and raceway mounting brackets. When using executive series faceplates with Panduit surface raceway, color matching is guaranteed. Labeling of executive series

faceplates is easy with enclosed write-on labels, or with Panduit computer printable labels. If labels are not needed, matching screw covers can be used to conceal the screws and will mount flush with the faceplate for a clean look.

[www.panduit.com](http://www.panduit.com)

### Single Gang Faceplates

<b>1-port:</b>	CFPE1IWY*
<b>2-port:</b>	CFPE2IWY*
<b>4-port:</b>	CFPE4IWY*
<b>6-port<sup>^</sup>:</b>	CFPE6IWY*

### Label Options for Single Gang Faceplates

<b>Laser/ink jet:</b>	C195X040Y1J
<b>Panther™ LS8E:</b>	C195X040Y1C

### Double Gang Faceplates

<b>10-port:</b>	CFPE10IW-2GY*
-----------------	---------------

### Label Options for Double Gang Faceplates

<b>Laser/ink jet:</b>	C288X040Y1J
<b>Panther™ LS8E:</b>	C288X040Y1C

### Wall Board Adapters

<b>Single gang:</b>	MWBA1
<b>Double gang:</b>	MWBA-2G

### Accessories

**Replacement label and screw cover (single gang):** EFPK-XY

**Replacement label and screw cover (double gang):** EFPK102G-XY

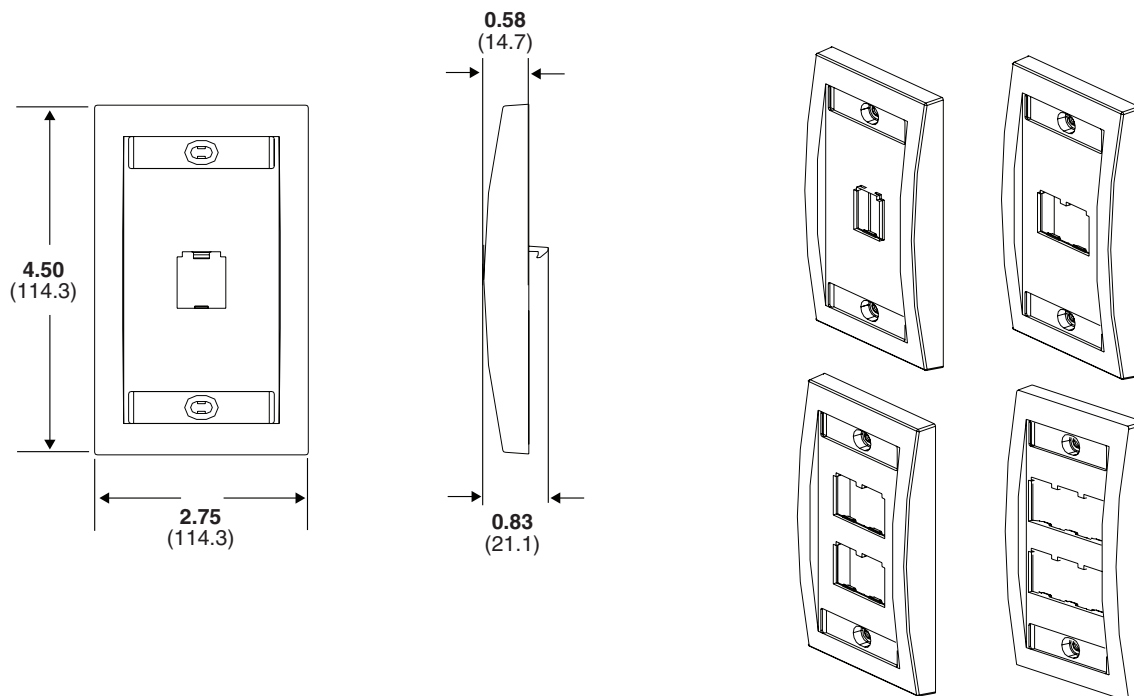
**Screw cover:** CSCIW-X\*

\*For other colors, replace suffix IW (Off White) with EI (Electric Ivory), WH (White), or IG (International Gray).

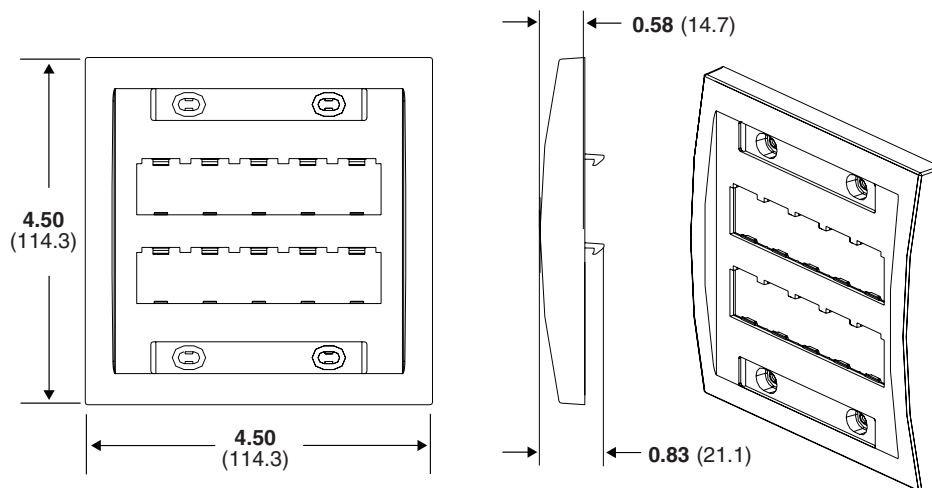
<sup>^</sup>6-port, single gang faceplates must be installed on a 1.9" wide (or wider) electrical back box.

# Mini-Com® Executive Series Faceplates

## single gang faceplates



## double gang faceplates



Dimensions are in inches (Dimensions in parentheses are metric)

### WORLDWIDE SUBSIDIARIES AND SALES OFFICES

PANDUIT CANADA  
Markham, Ontario  
cs-cdn@panduit.com  
Phone: 800.777.3300

PANDUIT EUROPE LTD.  
London, UK  
cs-emea@panduit.com  
Phone: 44.20.8601.7200

PANDUIT SINGAPORE PTE. LTD.  
Republic of Singapore  
cs-ap@panduit.com  
Phone: 65.6305.7575

PANDUIT JAPAN  
Tokyo, Japan  
cs-japan@panduit.com  
Phone: 81.3.6863.6000

PANDUIT LATIN AMERICA  
Guadalajara, Mexico  
cs-la@panduit.com  
Phone: 52.33.3777.6000

PANDUIT AUSTRALIA PTY. LTD.  
Victoria, Australia  
cs-aus@panduit.com  
Phone: 61.3.9794.9020

For a copy of Panduit product warranties, log on to [www.panduit.com/warranty](http://www.panduit.com/warranty)

For more information

Visit us at [www.panduit.com](http://www.panduit.com)

Contact Customer Service by email: [cs@panduit.com](mailto:cs@panduit.com)  
or by phone: 800.777.3300 and reference OTSP21

**PANDUIT®**

©2015 Panduit Corp.  
ALL RIGHTS RESERVED.  
**WW-OTSP21**  
5/2015

## X-ON Electronics

Largest Supplier of Electrical and Electronic Components

*Click to view similar products for [Wire Labels & Markers](#) category:*

*Click to view products by [Panduit](#) manufacturer:*

Other Similar products are found below :

[89078GBEST](#) [89082GBESR](#) [89082GBEST](#) [PCL025-4](#) [5761-2SF](#) [58400](#) [586R734H02](#) [M1.040.0000.6](#) [CRS-CM5M](#) [CRS-M18M](#) [CS1836-000](#) [CS8626-000](#) [CU6337-000](#) [CU6342-000](#) [CU6343-000](#) [CWD01-0](#) [CWD012-0](#) [CWD012-7](#) [CWD015-3](#) [CWD015-7](#) [CWD02-0](#) [CWD02-3](#) [CWD02-4](#) [CWD02-6](#) [CWD02-8](#) [CWD02-A](#) [CWD02-D](#) [CWD02-H](#) [CWD02-K](#) [CWD02-L](#) [CWD02-M](#) [CWD02-P](#) [CWD02-Q](#) [CWD02-R](#) [CWD02-U](#) [CWD02-W](#) [CWD02-Y](#) [CWD03-+](#) [CWD03-0](#) [CWD03-P](#) [CWD06-0](#) [CWD06-8](#) [CWD06-9](#) [CWD06-L](#) [CWD06-N](#) [CWD09-0](#) [CWD09-5](#) [CWD09-7](#) [6806810001](#) [CZ2857-000](#)