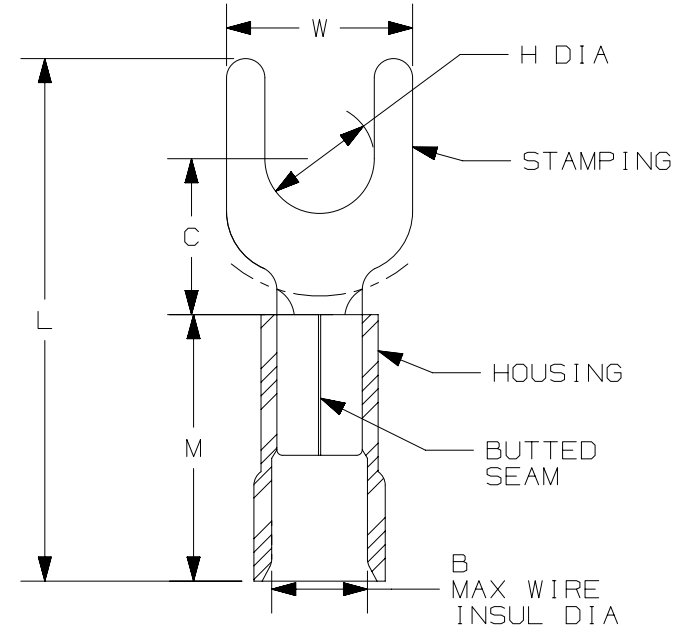


THIS COPY IS PROVIDED ON A RESTRICTED BASIS AND IS NOT TO BE USED IN ANY WAY DETRIMENTAL TO THE INTERESTS OF PANDUIT CORP.

PANDUIT PART NUMBER	WIRE SIZE AWG [mm ²]	STUD SIZE		HOUSING COLOR	DIMENSIONS - in. [mm]						WIRE STRIP LENGTH in [mm] +1/32 [0,8] -0	TOOLS
		ENGLISH	METRIC		L± .04 [1,1]	W± .01 [0,3]	C± .02 [0,5]	M± .03 [0,8]	H ^{+.02 [0,4]} ₋₀	B		
EV18-14FB	#22-16 [0,5-1,5]	1/4"	M6	RED	.83 [21,0]	.37 [9,5]	.26 [6,5]	.39 [10,0]	0.25 [6,4]	.145 [3,7]	9/32 [6,8]	KST2000A
EV14-14FB	#16-14 [1,5-2,5]	1/4"	M6	BLUE	.83 [21,0]	.37 [9,3]	.26 [6,5]	.39 [10,0]	0.25 [6,4]	.165 [4,2]	9/32 [6,8]	
EV10-56FB	#12-10 [4,0-6,0]	5/16"	M8	YELLOW	1.20 [30,5]	.55 [14,0]	.41 [10,5]	.51 [13,0]	0.33 [8,4]	.240 [6,1]	11/32 [8,8]	

NOTES:

- UL LISTED FOR:
 - A. STRANDED COPPER WIRE ONLY (EV14-14FB & EV10-56FB)
 - B. SOLID OR STRANDED COPPER WIRE ONLY (EV18-14FB)
 - B. 221°F (105°C) MAX TEMP RATING
 - C. 600V MAX VOLTAGE RATING
- MATERIAL:
 - A. STAMPING - COPPER, TIN PLATED:
 - EV18-14FB: .030" [0,75] THICK
 - EV14-14FB: .031" [0,8] THICK
 - EV10-56FB: .039" [1,0] THICK
 - B. HOUSING - VINYL
- SEE WWW.PANDUIT.COM FOR PACKAGE QUANTITIES
- DIMENSIONS IN BRACKETS ARE METRIC EQUIVALENT



TITLE		STRONGHOLD FORK TERMINALS VINYL INSULATED, BUTTED SEAM #22-10 AWG	
CUSTOMER DRAWING			
ITEM REVISION NAME	00123SSK/00	PANDUIT TM	
DATASET FILE NAME	00123SSK_DC/00		
UNLESS OTHERWISE SPECIFIED, DIMENSIONAL TOLERANCES ARE: IN [mm]		MATERIAL: SEE NOTES	
.X ± .XX ±		.XXX ± ANGLES ±	
THIRD ANGLE PROJECTION		DRAWING NUMBER: 00123SSK - DC	
DRAWN BY	DATE	CHK	SCALE
FES	-	FES	N.T.S.
SHEET 1 OF 1		SIZE A	

D101000DA/12

X-ON Electronics

Largest Supplier of Electrical and Electronic Components

Click to view similar products for [Terminals](#) category:

Click to view products by [Panduit](#) manufacturer:

Other Similar products are found below :

[00-054007-01074-6](#) [00-054007-70206-1](#) [00-054007-70210-8](#) [00-054007-70217-7](#) [00-054007-70226-9](#) [00-054007-70228-3](#) [00-054007-70248-1](#) [00-054007-70256-6](#) [00-054007-70301-3](#) [00-054007-70316-7](#) [0-0320562-0](#) [00-054007-49560-4](#) [00-054007-70209-2](#) [00-054007-70225-2](#) [00-054007-70227-6](#) [00-054007-70231-3](#) [00-054007-70241-2](#) [00-054007-70242-9](#) [00-054007-70244-3](#) [00-054007-70246-7](#) [00-054007-70263-4](#) [00-054007-70288-7](#) [00-054007-70290-0](#) [00-054007-70300-6](#) [00-054007-70304-4](#) [01-2065-1-0216](#) [01-2900-1-04412](#) [00581P0075](#) [600TS-10](#) [60205-1](#) [604200-1](#) [605601-1](#) [60598-1-CUT-TAPE](#) [61314-6-C](#) [61810-3](#) [61-S](#) [61-SN](#) [626-0194](#) [62-NBM-A](#) [62-SN](#) [62-SP](#) [63-S](#) [640179-1](#) [M55155/059I03](#) [M55155/079C01](#) [M55155/099H02](#) [M55155/109H01](#) [M55155/109H02](#) [M55155/12XH05](#) [M55155/16XH02](#)