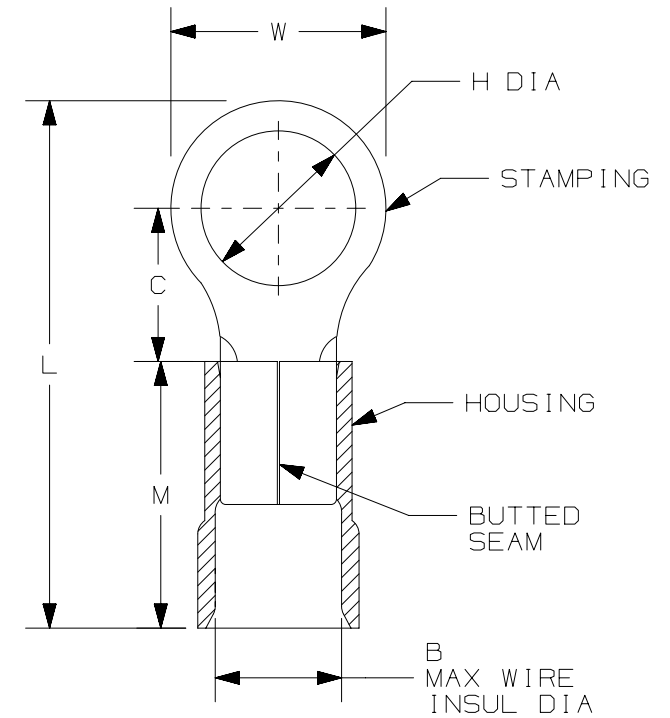


THIS COPY IS PROVIDED ON A RESTRICTED BASIS AND IS NOT TO BE USED IN ANY WAY DETRIMENTAL TO THE INTERESTS OF PANDUIT CORP.

PANDUIT PART NUMBER	WIRE SIZE AWG [mm ²]	STUD SIZE		HOUSING COLOR	DIMENSIONS - in. [mm]						WIRE STRIP LENGTH in [mm] +1/32 [0.8] -0	TOOLS
		ENGLISH	METRIC		L± .04 [1,1]	W± .01 [0,3]	C± .01 [0,3]	M± .02 [0,6]	H ⁺ .02 [0,4] -0	B		
EV14-38RB	#16-14 [1.5-2.5]	3/8"	M10	BLUE	1.20 [30.5]	0.54 [13.6]	0.55 [13.9]	0.39 [10.0]	0.41 [10.5]	.165 [4.2]	9/32" [6.8]	KST2000A
EV10-12RB	#12-10 [4.0-6.0]	1/2"	M12	YELLOW	1.52 [38.6]	0.76 [19.2]	0.63 [16.0]	0.51 [13.0]	0.51 [13.0]	.240 [6.1]	11/32" [8.8]	

NOTES:

- UL LISTED FOR:
 - STRANDED COPPER WIRE ONLY
 - 221°F (105°C) MAX TEMP RATING
 - 600V MAX VOLTAGE RATING
- MATERIAL:
 - STAMPING - COPPER, TIN PLATED
EV14-38RB: .031" [0.8] THICK
EV10-12RB: .039" [1.0] THICK
 - HOUSING - VINYL
- SEE WWW.PANDUIT.COM FOR PACKAGE QUANTITIES
- DIMENSIONS IN BRACKETS ARE METRIC EQUIVALENT



TITLE		STRONGHOLD RING TERMINALS VINYL INSULATED, BUTTED SEAM #16-10 AWG CUSTOMER DRAWING		
ITEM REVISION NAME		00123SS0/00		
DATASET FILE NAME		00123SS0_DC/00		
UNLESS OTHERWISE SPECIFIED, DIMENSIONAL TOLERANCES ARE: IN [mm]		MATERIAL: SEE NOTES		
.x ± .1 [2.54] .xxx ± .005 [0.13] .xx ± .01 [0.25] ANGLES ± 5°		DRAWING NUMBER: 00123SS0-DC		
THIRD ANGLE PROJECTION		SHEET 1 OF 1		
DRAWN BY	DATE	CHK	SCALE	SIZE
FES	-	LCA	N.T.S.	A

REV	DATE	BY	CHK	APR	DESCRIPTION	ECN
00	2/18	JHNU	TMR	RGB	DRAWING RELEASED	00123SS

D101000DA/12

X-ON Electronics

Largest Supplier of Electrical and Electronic Components

Click to view similar products for [Terminals](#) category:

Click to view products by [Panduit](#) manufacturer:

Other Similar products are found below :

[00-054007-01074-6](#) [00-054007-70206-1](#) [00-054007-70210-8](#) [00-054007-70217-7](#) [00-054007-70226-9](#) [00-054007-70228-3](#) [00-054007-70248-1](#) [00-054007-70256-6](#) [00-054007-70301-3](#) [00-054007-70316-7](#) [0-0320562-0](#) [00-054007-49560-4](#) [00-054007-70209-2](#) [00-054007-70225-2](#) [00-054007-70227-6](#) [00-054007-70231-3](#) [00-054007-70241-2](#) [00-054007-70242-9](#) [00-054007-70244-3](#) [00-054007-70246-7](#) [00-054007-70263-4](#) [00-054007-70288-7](#) [00-054007-70290-0](#) [00-054007-70300-6](#) [00-054007-70304-4](#) [01-2065-1-0216](#) [01-2900-1-04412](#) [00581P0075](#) [600TS-10](#) [60205-1](#) [604200-1](#) [605601-1](#) [60598-1-CUT-TAPE](#) [61314-6-C](#) [61810-3](#) [61-S](#) [61-SN](#) [626-0194](#) [62-NBM-A](#) [62-SN](#) [62-SP](#) [63-S](#) [640179-1](#) [M55155/059I03](#) [M55155/079C01](#) [M55155/099H02](#) [M55155/109H01](#) [M55155/109H02](#) [M55155/12XH05](#) [M55155/16XH02](#)