

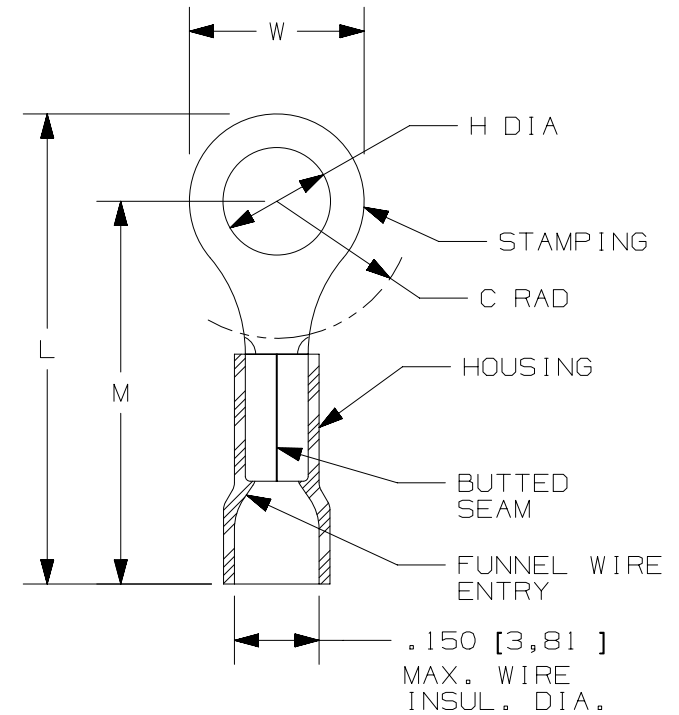
THIS COPY IS PROVIDED ON A RESTRICTED BASIS AND IS NOT TO BE USED IN ANY WAY DETRIMENTAL TO THE INTERESTS OF PANDUIT CORP.

PANDUIT PART #	STUD SIZE		DIMENSIONS in. [mm]				
	ENGLISH	METRIC	L ± .03 [0,51]	W ± .01 [0,25]	C ± .02 [0,38]	M ± .03 [0,51]	H ± .01 [0,25]
EV18-6RB	#6	M3	.86 [21,8]	.25 [6,4]	.22 [5,6]	.70 [17,8]	.15 [3,8]
EV18-8RB	#8	M4	.91 [23,1]	.31 [7,9]	.26 [6,6]	.78 [19,8]	.17 [4,3]
EV18-10RB	#10	M5	.94 [23,9]	.31 [7,9]	.27 [6,9]	.78 [19,8]	.20 [5,1]
EV18-14RB	1/4"	M6	1.11 [28,2]	.46 [11,7]	.37 [9,4]	.88 [22,4]	.27 [6,9]
EV18-56RB	5/16"	M8	1.11 [28,2]	.46 [11,7]	.39 [9,9]	.88 [22,4]	.34 [8,6]

*RATED FOR 167°F [75°C] MAX TEMP. WITH CT-100A

NOTES:

- USED FOR:
 - A. 22-18 AWG [0,5-1,0 mm²] SOLID OR STRANDED COPPER WIRE
 - B. 221°F [105°C] MAX. OPERATING TEMPERATURE
 - C. 600V. MAX. BLDG WIRE (1000 V. MAX. IN SIGNS, FIXTURES & LUMINAIRES)
- MATERIAL:
 - A. STAMPING: .032" [0,8] THK COPPER, TIN PLATED
 - B. HOUSING: VINYL, RED
- INSTALLATION TOOLS PANDUIT APPROVED:
 - A. UL APPROVED: CT-100A*, CT-600-A (CT-550CH)
CT-1550, CT-1551, CT-2500 (CT-2550CH)
 - B. PANDUIT APPROVED: CT-160, CT-260, CT-400
- WIRE STRIP LENGTH: 5/16" ^{+1/32}₋₀ [7,9mm ^{+0,8}₋₀]
- SEE www.panduit.com FOR PACKAGE QUANTITIES INDICATED BY PART NUMBER SUFFIX
- DIMENSIONS IN BRACKETS ARE METRIC EQUIVALENT



LISTED
587H
E52164



CERTIFIED
LR31212

TITLE						STRONGHOLD RING TERMINAL VINYL INSULATED, BUTTED SEAM #22-18 AWG CUSTOMER DRAWING					
ITEM REVISION NAME						00123STH/00					
DATASET FILE NAME						00123STH_DC/00					
UNLESS OTHERWISE SPECIFIED, DIMENSIONAL TOLERANCES ARE: IN [mm]						MATERIAL:					
.x ± .1 [2.54]						.xxx ± .005 [0.127]					
.xx ± .01 [0.25]						ANGLES ± 5°					
DRAWN BY						THIRD ANGLE PROJECTION					
JHNU						DATE					
2/18						CHK					
TMR						SCALE					
N.T.S.						DRAWING NUMBER:					
SH41268						SHEET 1 OF 1					
REV						SIZE					
A						A					

00	2/18	JHNU	TMR	RGB	RELEASED	00123SH
REV	DATE	BY	CHK	APR	DESCRIPTION	ECN

D110100DA/12

X-ON Electronics

Largest Supplier of Electrical and Electronic Components

Click to view similar products for [Terminals](#) category:

Click to view products by [Panduit](#) manufacturer:

Other Similar products are found below :

[00-054007-01074-6](#) [00-054007-70206-1](#) [00-054007-70210-8](#) [00-054007-70217-7](#) [00-054007-70226-9](#) [00-054007-70228-3](#) [00-054007-70248-1](#) [00-054007-70256-6](#) [00-054007-70301-3](#) [00-054007-70316-7](#) [0-0320562-0](#) [00-054007-49560-4](#) [00-054007-70209-2](#) [00-054007-70225-2](#) [00-054007-70227-6](#) [00-054007-70231-3](#) [00-054007-70241-2](#) [00-054007-70242-9](#) [00-054007-70244-3](#) [00-054007-70246-7](#) [00-054007-70263-4](#) [00-054007-70288-7](#) [00-054007-70290-0](#) [00-054007-70300-6](#) [00-054007-70304-4](#) [01-2065-1-0216](#) [01-2900-1-04412](#) [00581P0075](#) [600TS-10](#) [60205-1](#) [604200-1](#) [605601-1](#) [60598-1-CUT-TAPE](#) [61314-6-C](#) [61810-3](#) [61-S](#) [61-SN](#) [626-0194](#) [62-NBM-A](#) [62-SN](#) [62-SP](#) [63-S](#) [640179-1](#) [M55155/059I03](#) [M55155/079C01](#) [M55155/099H02](#) [M55155/109H01](#) [M55155/109H02](#) [M55155/12XH05](#) [M55155/16XH02](#)