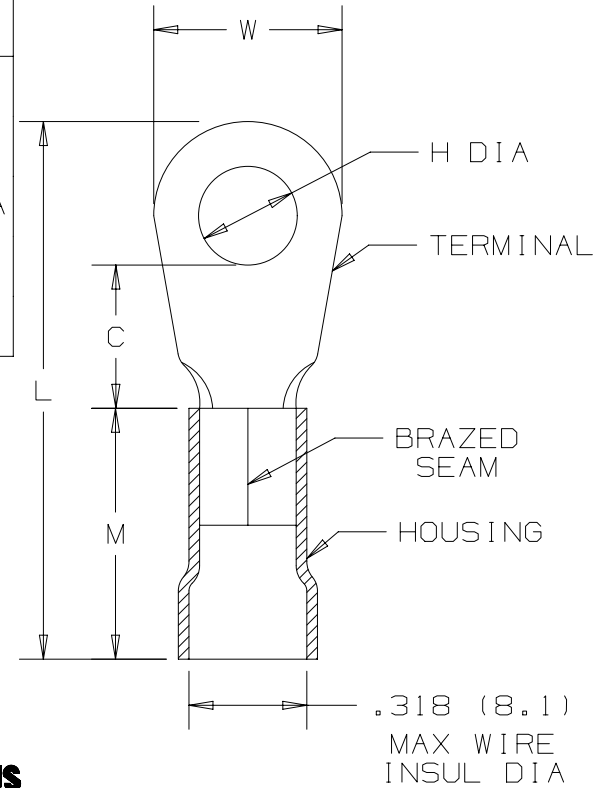


THIS COPY IS PROVIDED ON A RESTRICTED BASIS AND IS NOT TO BE USED IN ANY WAY DETRIMENTAL TO THE INTERESTS OF PANDUIT CORP.

PANDUIT PART NUMBER	STUD SIZE		DIMENSIONS - in. [mm]					TOOLS
	ENGLISH	METRIC	L± .04 [1,1]	W± .01 [0,3]	C± .01 [0,3]	M± .02 [0,6]	H +.02 [0,4] -0	
EV8-8R	#8	M4	1.18 (30.0)	.31 (8.0)	.37 (9.3)	.66 (16.7)	.17 (4.3)	KST-HDC38A
EV8-14R	1/4"	M6	1.26 (32.0)	.47 (12.0)	.37 (9.3)	.66 (16.7)	.25 (6.4)	
EV8-56R	5/16"	M8	1.5 (38.0)	.59 (15.0)	.54 (13.8)	.66 (16.7)	.33 (8.4)	
EV8-38R	3/8"	M10	1.5 (38.0)	.59 (15.0)	.54 (13.8)	.66 (16.7)	.41 (10.5)	
EV8-12R	1/2"	M12	1.64 (41.7)	.79 (20.0)	.59 (15.0)	.66 (16.7)	.51 (13.0)	



NOTES:

- UL LISTED FOR:
  - A. #8 AWG [8mm<sup>2</sup>] STRANDED COPPER WIRE
  - B. 221°F (105°C) MAX TEMP RATING
  - C. 600V MAX VOLTAGE RATING
- MATERIAL:
  - A. STAMPING - .047" (1.2) THICK COPPER, TIN PLATED
  - B. HOUSING - VINYL, RED
- WIRE STRIP LENGTH: 15/32" <sup>+1/32</sup><sub>-0</sub> (12mm <sup>+0.8</sup><sub>-0</sub>)
- SEE WWW.PANDUIT.COM FOR PACKAGE QUANTITIES
- DIMENSIONS IN BRACKETS ARE METRIC EQUIVALENT



LISTED  
2000  
E52164

TITLE		STRONGHOLD RING TERMINAL VINYL INSULATED, BRAZED SEAM #8 AWG [8mm <sup>2</sup> ] CUSTOMER DRAWING		
ITEM REVISION NAME		00123SSB/00		
DATASET FILE NAME		00123SSB/00		
UNLESS OTHERWISE SPECIFIED, DIMENSIONAL TOLERANCES ARE: IN [mm]		MATERIAL:  SEE NOTES		
.X ± .XX ±		.XXX ± ANGLES ±		
THIRD ANGLE PROJECTION		DRAWING NUMBER: 00123SSB-DC		
DRAWN BY	DATE	CHK	SCALE	SIZE
JHNU	2/18	TMR	NONE	A
SHT 1 OF 1				

00	2/18	JHNU	TMR	RGB	DRAWING RELEASED	00123SS
REV	DATE	BY	CHK	APR	DESCRIPTION	ECN

91700DA/16

## X-ON Electronics

Largest Supplier of Electrical and Electronic Components

*Click to view similar products for [Terminals](#) category:*

*Click to view products by [Panduit](#) manufacturer:*

Other Similar products are found below :

[00-054007-01074-6](#) [00-054007-70206-1](#) [00-054007-70210-8](#) [00-054007-70217-7](#) [00-054007-70226-9](#) [00-054007-70228-3](#) [00-054007-70248-1](#) [00-054007-70256-6](#) [00-054007-70301-3](#) [00-054007-70316-7](#) [0-0320562-0](#) [00-054007-49560-4](#) [00-054007-70209-2](#) [00-054007-70225-2](#) [00-054007-70227-6](#) [00-054007-70231-3](#) [00-054007-70241-2](#) [00-054007-70242-9](#) [00-054007-70244-3](#) [00-054007-70246-7](#) [00-054007-70263-4](#) [00-054007-70288-7](#) [00-054007-70290-0](#) [00-054007-70300-6](#) [00-054007-70304-4](#) [01-2065-1-0216](#) [01-2900-1-04412](#) [00581P0075](#) [600TS-10](#) [60205-1](#) [604200-1](#) [605601-1](#) [60598-1-CUT-TAPE](#) [61314-6-C](#) [61810-3](#) [61-S](#) [61-SN](#) [626-0194](#) [62-NBM-A](#) [62-SN](#) [62-SP](#) [63-S](#) [640179-1](#) [M55155/059I03](#) [M55155/079C01](#) [M55155/099H02](#) [M55155/109H01](#) [M55155/109H02](#) [M55155/12XH05](#) [M55155/16XH02](#)