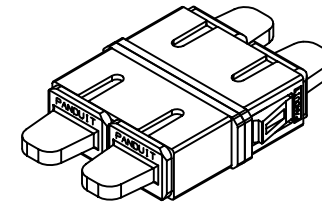
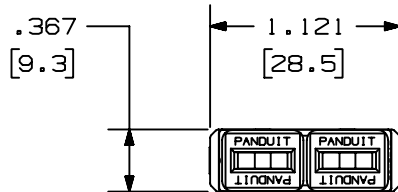
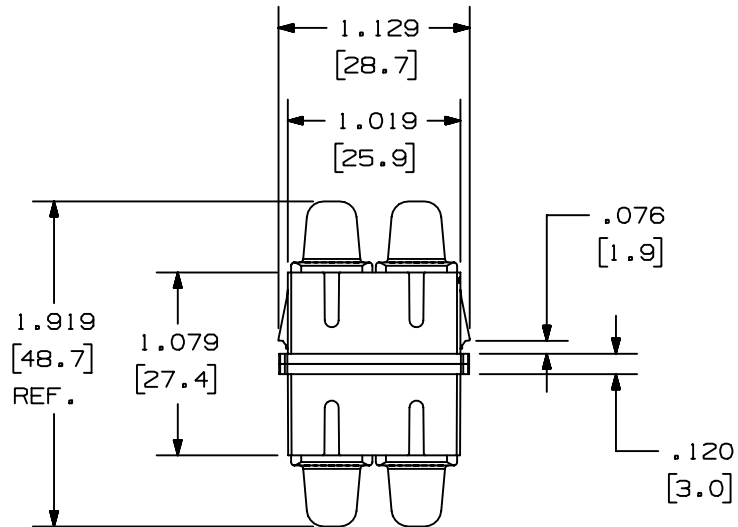


THIS COPY IS PROVIDED ON A RESTRICTED BASIS AND IS NOT TO BE USED IN ANY WAY DETRIMENTAL TO THE INTERESTS OF PANDUIT CORP.



PANDUIT P/N	WEIGHT	SPLIT SLEEVE TYPE
FADSCAQ-L	.7 lbs/50 Pcs [ 315.6 g/50 Pcs ]	PHOS BRONZE
FADSCEI-L		
FADSCZAG-L	.7 lbs/50 Pcs [ 315.6 g/50 Pcs ]	ZIRCONIA
FADSCZAQ-L		
FADSCZBU-L		

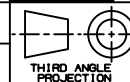
NOTES:

- SEE CURRENT CATALOG FOR ADDITIONAL PART NUMBERS, COLORS, AND OR PACKAGE QUANTITIES.
- SEE CATALOG FOR COMPLETE LIST OF PARTS APPLICABLE FOR USE WITH THIS PART.
- MATERIAL:
  - ADAPTER HOUSING: PLASTIC
  - SPLIT SLEEVE: SEE TABLE
  - INNER LATCH: PLASTIC
  - DUST CAP: PLASTIC
- COMPLIANT WITH TIA/EIA-604-3 (FOCIS-3) AND TIA/EIA-568B.3
- DIMENSIONS IN BRACKETS ARE METRIC [ mm ]

FIBER ADAPTER DUPLEX SC  
CUSTOMER DRAWING



**PANDUIT**™  
CORP.  
TINLEY PARK, ILL 60477



THIRD ANGLE  
PROJECTION  
DRAWN BY  
MC

ALL DIMENSIONS ARE GIVEN IN INCHES,  
UNLESS OTHERWISE SPECIFIED.  
DIMENSIONAL TOLERANCES ARE:  
(.X) (.XXX) ± .010 (0.3)  
(.XX) ± .02 (0.5) ANGLES

DRAWING FILENAME  
M0115BF\_DC\_00B.prt  
SCALE  
NONE

DATE  
02-27-04

REVIEW DRAWING NUMBERS

PART NO.  
SEE TABLE

REV	DATE	BY	CHK	DESCRIPTION	ECN	R	CUST	SUP	OTH
1	01-05-05	MC		RELEASED TO PRODUCTION	01115-08				

CHK'D  
MTV

DRAWING NO.  
01115-08  
SIZE  
A

## X-ON Electronics

Largest Supplier of Electrical and Electronic Components

*Click to view similar products for [Fiber Optic Connectors](#) category:*

*Click to view products by [Panduit](#) manufacturer:*

Other Similar products are found below :

[0004700001](#) [6100-R](#) [6313](#) [F709034706](#) [F709722200](#) [F718183204](#) [F727403500](#) [F727752800](#) [FCXO-12-3BY](#) [FO-SCREW\(M2X6\)](#) [9440F20-27S-190](#) [944-120-6001](#) [944-125-6003](#) [9441F10SL-3P](#) [9441F10SL-3S](#) [9446F10SL-4S](#) [9446F12S-3S](#) [953-101-5310-P](#) [954-101-57202B](#)  
[A0270169](#) [12-9122](#) [12-5702](#) [143025NC](#) [AX101713](#) [AX102420](#) [AX103923](#) [AX104141](#) [AX104193](#) [AX104228](#) [AX104230](#) [AX104562](#)  
[AX105203-B25](#) [AX105205-S1](#) [EHSC2M](#) [17-300800](#) [181-011-126](#) [BT34IW](#) [HRFCP-HSCJ-1\(61\)](#) [HRFC-R2\(40\)](#) [NKSOPBUY](#) [20500002116](#)  
[2064996-1](#) [20800001065](#) [2170](#) [9132](#) [2612](#) [2620](#) [9291](#) [9440F18-19S](#) [9440F20-14P](#)