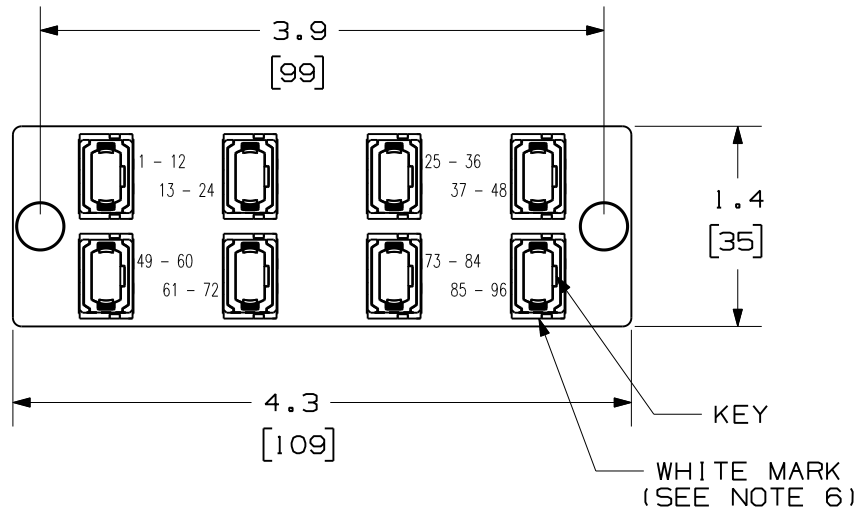
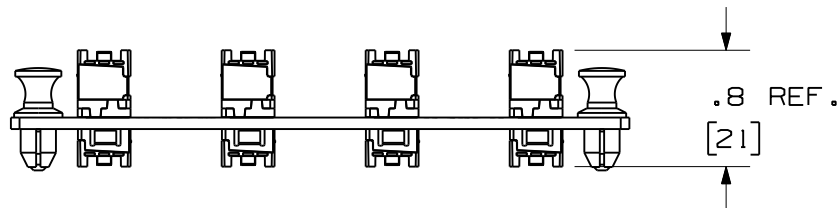


THIS COPY IS PROVIDED ON A RESTRICTED BASIS AND IS NOT TO BE USED IN ANY WAY DETRIMENTAL TO THE INTERESTS OF PANDUIT CORP.

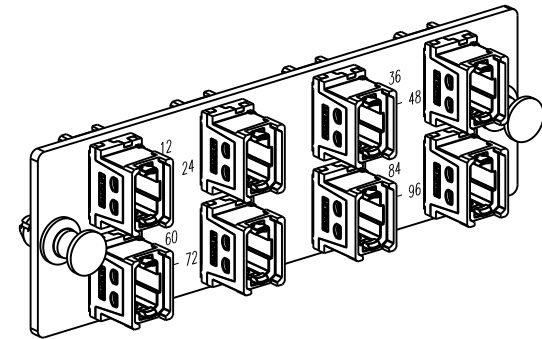



DUST PLUGS NOT SHOWN FOR CLARITY



NOTES:

1. SEE CURRENT CATALOG FOR PART NUMBER SUFFIXES TO INDICATE COLOR AND/OR PACKAGE QUANTITIES.
2. SEE CATALOG FOR COMPLETE LIST OF PARTS APPLICABLE FOR USE WITH THIS PRODUCT.
3. MATERIALS:
  - A. PLATE: C.R.S. POWDER COATED.
  - B. ADAPTER: COMPOSITE WITH METAL CLIP.
  - C. ALL MATERIALS AND COMPONENTS USED MEET THE MATERIAL RESTRICTIONS OF RoHS, (EUROPEAN DIRECTIVE 2002/95/EC ON THE RESTRICTION OF HAZARDOUS SUBSTANCES) AS PROPOSED BY THE RoHS TECHNICAL ADAPTATION COMMITTEE.
4. ADAPTERS ARE SUPPLIED WITH TWO DUST PLUGS.
5. DIMENSIONS IN BRACKETS ARE METRIC.
6. WHITE MARK ON MPO ADAPTER CORRELATES TO FIRST FIBER ON INSTALLED MPO/MTP CONNECTOR.



										8 POSITION HORIZONTAL MPO FIBER ADAPTER PANEL CUSTOMER DRAWING		
										 <b>PANDUIT</b> ™ CORP. TINLEY PARK, ILL 60477		
										ALL DIMENSIONS ARE GIVEN IN INCHES UNLESS OTHERWISE SPECIFIED. DIMENSIONAL TOLERANCES ARE: (.X) ±.03   (.XXX) ±.010   (.3) ±.01 (.XX) ±.03   (.8) ANGLES		DRAWING FILENAME <b>M01945XY_DC/00A</b>
										THIRD ANGLE PROJECTION		SCALE NONE
										DRAWN BY MC		PART NO. FAPH0812BLMPO FAPH0812CGMPO
										DATE 02-28-11		DRAWING NO. 01945-157
										CHECK'D		SIZE A
REV	DATE	BY	CHK	DESCRIPTION	ECN	R	CUST	SUP	OTH			
R	03-07-11	MC		RELEASED TO PRODUCTION	01945-157							

## X-ON Electronics

Largest Supplier of Electrical and Electronic Components

*Click to view similar products for [Fibre Optic Connectors](#) category:*

*Click to view products by [Panduit](#) manufacturer:*

Other Similar products are found below :

[0004700001](#) [6100-R](#) [6313](#) [F709722200](#) [F709730000](#) [F718183204](#) [F727403500](#) [F727752800](#) [8119](#) [9440F20-27S-190](#) [944-120-6001](#)  
[9441F10SL-3S](#) [9444W28-21S](#) [9444W36-10S](#) [9446F10SL-4S](#) [9446W20-16S](#) [953-101-5310-P](#) [954-101-57202B](#) [A0270169](#) [12-9122](#) [12-5702](#)  
[AX101713](#) [AX102420](#) [AX103923](#) [AX104024](#) [AX104193](#) [AX104230](#) [AX104562](#) [AX105203-B25](#) [AX105205-S1](#) [EHSC2M](#) [17-300800](#)  
[181-011-126](#) [181-011-S](#) [181-057-126](#) [HRFC-R2\(40\)](#) [NKSOPBUY](#) [20500002116](#) [2064996-1](#) [20800001065](#) [2170](#) [9132](#) [2612](#) [2620](#) [9291](#)  
[9440F16-10S](#) [9440F20-18S](#) [9446F16-10S-190](#) [953-106-50231](#) [953-120-5003](#)