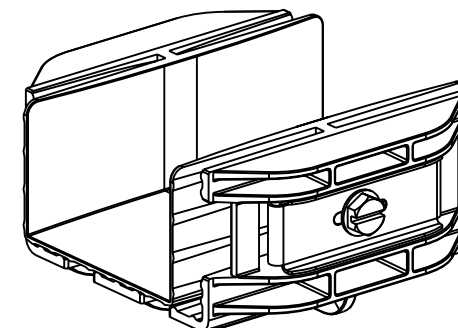
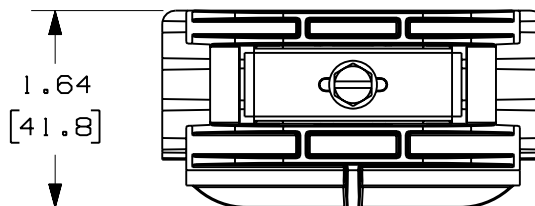
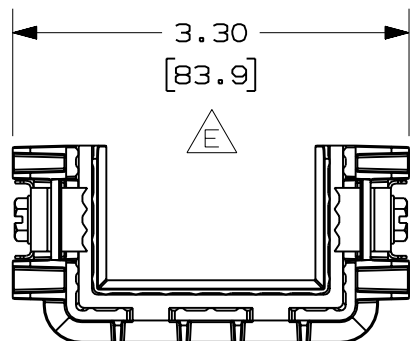


PANDUIT PART NUMBER	WEIGHT
FBC2X2	0.18 LB/EACH (80g/EACH)



NOTES:

1. SEE CURRENT CATALOG FOR ADDITIONAL PART SUFFIXES TO INDICATE COLOR AND/OR PACKAGE QUANTITY.
2. DIMENSIONS IN PARENTHESES ARE IN METRIC.



ENG. REF.: D38210BH_DC_FBC2X2_01.prt

CAD FILENAME/LAYERS FBC2X2.pdf

PANDUIT CORP TINLEY PARK, ILLINOIS
FIBERRUNNER 2x2 QUIKLOCK COUPLER (FBC2X2)
 CUSTOMER DRAWING

UNLESS OTHERWISE SPECIFIED, DIMENSIONAL TOLERANCES ARE:
 (.X) ± (.XXX) ±
 (.XX) ± .03 (.8) ANGLES ±

UNLESS OTHERWISE SPECIFIED, ALL DIMENSIONS ARE GIVEN IN INCHES, THIRD ANGLE PROJECTION.

-	-----	---	--	E. REMOVED DIMENSION.	-----	--	--			
-	-----	---	--	D. REVISED PART WEIGHT. C. REVISED DRAWING TITLE.	-----	--	--			
1	8-3-06	DTP	RN	B. REVISED CAD FILENAME. A. REV'D DWG. TO CUR. STAND.	38210-07	RN	RN			
R	2-18-02	JHNU	DJWA	RELEASED TO PRODUCTION	38210-07	HIW	HIW			
REV	DATE	BY	CHK	DESCRIPTION	ECN	R	CUST	SUP	GMBH	

DRAWN BY JHNU	MAT'L: ABS/STEEL	SCALE NONE
DATE 12-29-05		DRAWING NO. 38210-07
CHK'D DJWA		DWG A SIZE

X-ON Electronics

Largest Supplier of Electrical and Electronic Components

Click to view similar products for [Wire Ducting & Raceways](#) category:

Click to view products by [Panduit](#) manufacturer:

Other Similar products are found below :

[800A-LB](#) [801I-LSP](#) [802A-ECSP](#) [802I-ICSP](#) [923223-000](#) [PRAF6WH-X](#) [A0405538](#) [1301150342](#) [1301160034](#) [1301170070](#) [1301180011](#)
[1301230083](#) [1301230153](#) [1301240273](#) [1301250006](#) [1302261238](#) [1302261321](#) [1302262552](#) [1302263103](#) [1302263178](#) [1302263259](#)
[1302263816](#) [1302263860](#) [1302264375](#) [1302264390](#) [1301150343](#) [1301160030](#) [1301170050](#) [1301170051](#) [1301170061](#) [1301180013](#)
[1301230086](#) [1301230130](#) [1301240054](#) [1302260055](#) [1302260376](#) [1302261343](#) [1302261344](#) [1302262674](#) [1302263095](#) [1302263166](#)
[1302263209](#) [1302263513](#) [1302263851](#) [1302263870](#) [1302264137](#) [1302264218](#) [DD1/J](#) [AX101472](#) [AX102007](#)