

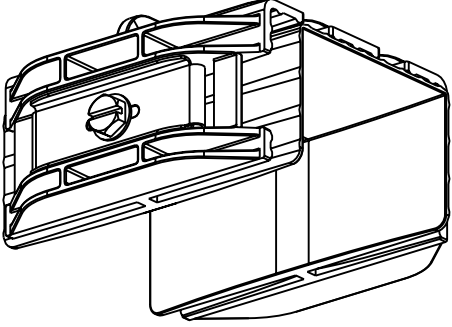
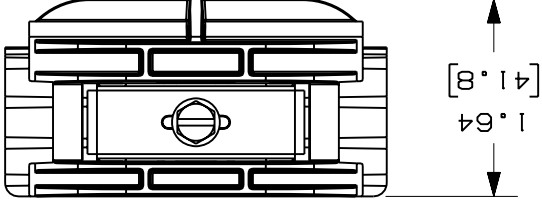
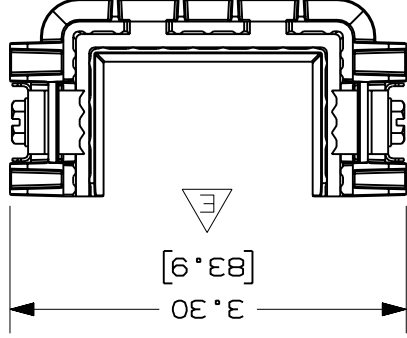
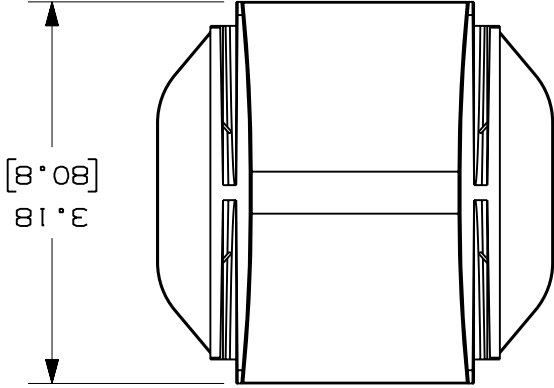


PANDUIT PART NUMBER	FBC2X2
WEIGHT	0.18 LB/EACH (80g/EACH)



NOTES:

1. SEE CURRENT CATALOG FOR ADDITIONAL PART SUFFIXES TO INDICATE COLOR AND/OR PACKAGE QUANTITY.
2. DIMENSIONS IN PARENTHESES ARE IN METRIC.



ENG. REF.: D38210BH_DC_FBC2X2-01.ppt

CAD FILENAME/LAYERS

B/FBC2X2.ppt

PANDUIT
CORP
TINLEY PARK, ILLINOIS

FIBERRUNNER 2X2 QUICKLOCK
COUPLER (FBC2X2)
CUSTOMER DRAWING



UNLESS OTHERWISE SPECIFIED,
DIMENSIONAL TOLERANCES ARE:
(.XX) ±.03 (.8)
(.XXX) ±
(.X) ±.03 (.8)
ANGLES ±
INCHES, THIRD ANGLE PROJECTION.

- - - - - E. REMOVED DIMENSION.

- - - - - D. REVISED PART WEIGHT.

- - - - - C. REVISED DRAWING TITLE.

- - - - - B. REVISED CAD FILENAME.

- - - - - A. REV'D DWG. TO CUR. STAND.

REV	DATE	BY	CHK	DESCRIPTION	ECN	R	CUST	SUP	GMBH	DJWA
R	2-18-02	JHNU	DJWA	RELEASED TO PRODUCTION	38210-07	HIW	HIW			12-29-05
1	8-3-06	DTP	RN	A. REVISED CAD FILENAME. B. REVISED DWG. TO CUR. STAND.	38210-07	RN	RN			JHNU
-	-	-	-	C. REVISED DRAWING TITLE.	-	-	-	-	-	-
-	-	-	-	D. REVISED PART WEIGHT.	-	-	-	-	-	-
-	-	-	-	E. REMOVED DIMENSION.	-	-	-	-	-	-

DRAWING NO. 38210-07

SIZE A

DWG

SCALE NONE

ABS/STEEL

X-ON Electronics

Largest Supplier of Electrical and Electronic Components

Click to view similar products for [Cable Mounting & Accessories](#) category:

Click to view products by [Panduit](#) manufacturer:

Other Similar products are found below :

[HP-4N](#) [582603-1](#) [009333-000](#) [727844N003](#) [809090N001](#) [8109](#) [843188-000](#) [843459N001](#) [843460N003](#) [8666](#) [967279N002](#) [GPQC1/0](#) [DB-11](#) [1300830208](#) [1300840039](#) [1300900026](#) [1300990052](#) [1301740005](#) [1301800121](#) [1301800416](#) [1300830184](#) [1300990149](#) [1301580036](#) [1301720103](#) [1301720135](#) [1301720152](#) [1301720157](#) [1301740009](#) [1301770011](#) [1301850553](#) [1301860939](#) [1302000074](#) [1302264431](#) [1337706-2](#) [APA18-AK](#) [MTX6UTPSRC-C](#) [1-787307-1](#) [185491N001](#) [HP-6N](#) [C-202-C](#) [202C221-13-0](#) [OMTM-S10-C0](#) [205339-4](#) [CA7308-000](#) [8S23-75FR-CS8184](#) [2684](#) [9648](#) [3089](#) [988382-000](#) [A0270164](#)