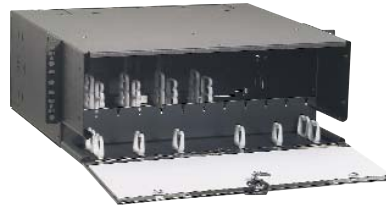


# Opticom® QuickNet™ Rack Mount Fiber Cassette Enclosure

## specifications

Fiber cassette enclosure shall be designed to house, organize, manage and protect Opticom® QuickNet™ Pre-terminated Fiber Optic Cassettes and associated MTP\* trunk cables, connectors, and patch cords. Enclosure shall accommodate all pre-terminated MTP\* cassettes and include integral cable management and bend radius control for transition to vertical cable managers. Fiber optic enclosure shall be constructed of steel material. Molded front covers shall be removable for cabling and connector installation. Enclosure shall have multiple knockouts for a variety of trunk cable entry points.



## technical information

<b>Dimensions:</b>	FCE1: 1.74"H x 19.00"W x 18.00"D (44.2mm x 483mm x 458mm), 1 RU FCE4: 6.62"H x 17.00"W x 16.40"D (168mm x 432mm x 417mm), 4 RU
<b>Mounting:</b>	FCE1: Integral mounting flange for installation in 19" EIA racks FCE4: Universal brackets (included) allow enclosure to fit in 19" or 23" rack
<b>Accessories:</b>	Mounting hardware and accessory kit with labels included

## key features and benefits

<b>Works with all Panduit® Opticom® QuickNet™ Pre-Terminated Fiber Optic Cassettes</b>	Provides flexibility with fully modular solution for a variety of pre-terminated, rapid-deploy fiber installation and patching applications with LC, SC, ST or FJ® connectors
<b>High patch field density</b>	Uses fewer rack units saving valuable rack or cabinet space; up to 96 fibers in 1 RU using four cassettes in FCE1; up to 288 fibers in 4 RU using 12 cassettes in FCE4
<b>Cable management and bend radius control</b>	Provides proper cable routing pathways and minimum cable bend radius control to ensure end-to-end signal integrity and cable protection
<b>Front-only access with slide-out, tilt-down drawer on FCE1</b>	Improves patch cord and cable access for in-cabinet and top-of-rack mounting locations for improved installation, service, and inspection
<b>Front and rear access doors with fixed bulkhead design on FCE4</b>	Enables access of all patch cords and connectors through front door and access of all pre-terminated MTP* interconnect or trunk cabling through rear door; easier moves, adds, and changes for improved reliability and cost savings

## applications

The Panduit® Opticom® QuickNet™ Rack Mount Fiber Cassette Enclosure is a component of the Opticom® QuickNet™ Fiber Cabling System. FCE enclosures serve as a transition point for pre-terminated MTP\* interconnect or backbone cable patched to active equipment in data center server cabinets or switch racks. They can be used for fast, reliable patch field creation in pre-terminated cross-connect or inter-connect

main distribution areas (MDA) or horizontal distribution areas (HDA). The enclosures provide high patch field densities with the FCE1 housing four cassettes for up to 96 fibers in 1 RU and the FCE4 housing 12 cassettes for up to 288 fibers in 4 RU. Integral cable management, bend radius control, and slack management features protect fiber optic cables, patch cords, and connectors to ensure end-to-end signal integrity.

\*MTP is a registered trademark of US Conec Ltd.

### Opticom® QuickNet™ Rack Mount Fiber Cassette Enclosure

<b>1 RU for 4 cassettes (up to 96 fibers):</b>	FCE1
<b>4 RU for 12 cassettes (up to 288 fibers):</b>	FCE4

### Opticom® QuickNet™ Cassettes Optimized 10Gig™ 50/125µm OM3/OM4 Multimode Fiber

<b>12 duplex LC to 2 MTP*:</b>	FCXO-24-10Y
<b>6 duplex LC to 1 MTP*:</b>	FCXO-12-10Y
<b>6 duplex SC to 1 MTP*:</b>	FCXO-12-3Y

### Opticom® QuickNet™ Cassettes 10Gig™ 50/125µm OM3/OM4 Multimode Fiber

<b>12 duplex LC to 2 MTP*:</b>	FCX-24-10Y
<b>6 duplex LC to 1 MTP*:</b>	FCX-12-10Y
<b>6 duplex SC to 1 MTP*:</b>	FCX-12-3Y

### Opticom® QuickNet™ Cassettes 50/125µm OM2 Multimode Fiber

<b>12 duplex LC to 2 MTP*:</b>	FC5-24-10Y
<b>6 duplex LC to 1 MTP*:</b>	FC5-12-10Y
<b>6 duplex SC to 1 MTP*:</b>	FC5-12-3Y

### Opticom® QuickNet™ Cassettes 9/125µm OS1 Singlemode Fiber

<b>12 duplex LC to 2 MTP*:</b>	FC9-24-10Y
<b>6 duplex LC to 1 MTP*:</b>	FC9-12-10Y
<b>6 duplex SC to 1 MTP*:</b>	FC9-12-3Y

### Opti-Core® Patch Cords

<b>12 fiber MTP* to MTP*:</b>	F^12D5-5M‡Y
<b>Duplex LC to LC:</b>	F^E10-10M‡Y
<b>Duplex SC to SC:</b>	F^D3-3M‡Y
<b>Duplex SC to LC:</b>	F^D3-10M‡Y

### Tools and Accessories

<b>High density connector removal tool:</b>	HDCRT
---	-------

^Substitute for fiber type: X = (OM3/OM4 – 10Gig™ 50/125µm); 5 = (OM2 – 50/125µm); 6 = (OM1 – 62.5/125µm); 9 = (OS1 – 9/125µm)

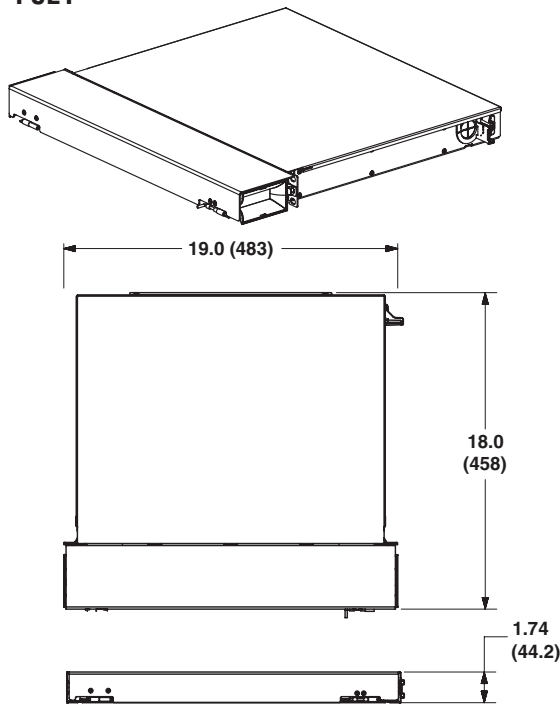
‡Substitute for length in meters: 1, 2, 3, 5 and 10 are standard lengths. Contact Panduit Customer Service for other available lengths

## Fiber Capacities

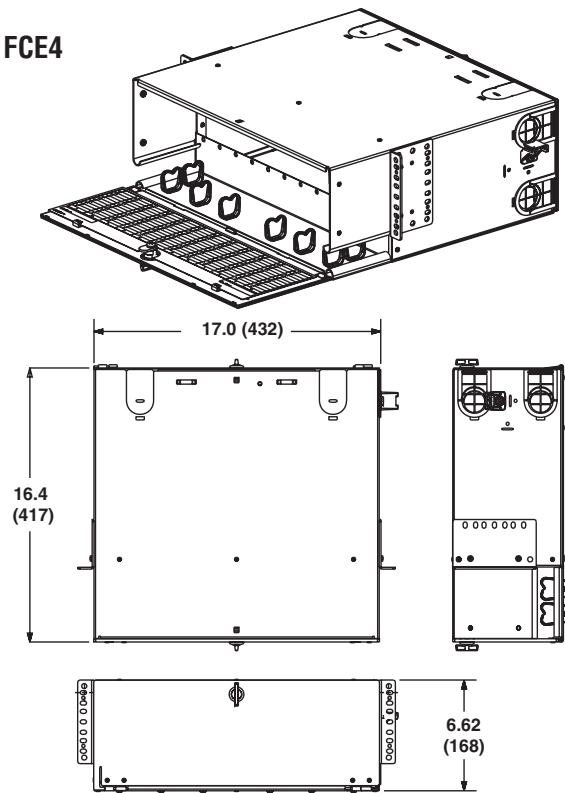
QuickNet™ Cassette Type	Enclosure	
	FCE1 (holds 4 cassettes)	FCE4 (holds 12 cassettes)
12 duplex LC adapters to 2 MTP*	96	288
6 duplex LC adapters to 1 MTP*	48	144
6 duplex SC adapters to 1 MTP*	48	144
3 duplex SC adapters to 1 MTP*	24	72
6 simplex ST adapters to 1 MTP*	24	72
4 duplex FJ® Jack Modules to 1 MTP*	32	96

\*MTP is a registered trademark of US Conec Ltd.

FCE1



FCE4



Dimensions are in inches (Dimensions in parenthesis are millimeters)

### WORLDWIDE SUBSIDIARIES AND SALES OFFICES

PANDUIT CANADA  
Markham, Ontario  
cs-cdn@panduit.com  
Phone: 800.777.3300

PANDUIT EUROPE LTD.  
London, UK  
cs-emea@panduit.com  
Phone: 44.20.8601.7200

PANDUIT SINGAPORE PTE. LTD.  
Republic of Singapore  
cs-ap@panduit.com  
Phone: 65.6305.7575

PANDUIT JAPAN  
Tokyo, Japan  
cs-japan@panduit.com  
Phone: 81.3.6863.6000

PANDUIT LATIN AMERICA  
Jalisco, Mexico  
cs-la@panduit.com  
Phone: 52.33.3777.6000

PANDUIT AUSTRALIA PTY. LTD.  
Victoria, Australia  
cs-aus@panduit.com  
Phone: 61.3.9794.9020

For a copy of Panduit product warranties, log on to [www.panduit.com/warranty](http://www.panduit.com/warranty)

For more information

Visit us at [www.panduit.com](http://www.panduit.com)

Contact Customer Service by email: [cs@panduit.com](mailto:cs@panduit.com)  
or by phone: 800-777-3300 and reference RKSP39



© 2009 PANDUIT Corp.  
ALL RIGHTS RESERVED.  
WW-RKSP39  
9/2009

## X-ON Electronics

Largest Supplier of Electrical and Electronic Components

*Click to view similar products for [Fiber Optic Connectors](#) category:*

*Click to view products by [Panduit](#) manufacturer:*

Other Similar products are found below :

[0004700001](#) [6100-R](#) [6313](#) [F709034706](#) [F709722200](#) [F718183204](#) [F727403500](#) [F727752800](#) [FCXO-12-3BY](#) [FO-SCREW\(M2X6\)](#) [9440F20-27S-190](#) [944-120-6001](#) [944-125-6003](#) [9441F10SL-3S](#) [9446F10SL-4S](#) [953-101-5310-P](#) [954-101-57202B](#) [A0270169](#) [12-9122](#) [12-5702](#) [143025NC](#) [AX101713](#) [AX102420](#) [AX103923](#) [AX104141](#) [AX104193](#) [AX104228](#) [AX104230](#) [AX104562](#) [AX105203-B25](#) [AX105205-S1](#) [EHSC2M](#) [17-300800](#) [181-011-126](#) [BT34IW](#) [HRFCP-HSCJ-1\(61\)](#) [HRFC-R2\(40\)](#) [NKSOPBUY](#) [20500002116](#) [2064996-1](#) [20800001065](#) [2170](#) [9132](#) [2612](#) [2620](#) [9291](#) [9440F18-19S](#) [9440F20-14P](#) [9440F20-14PW](#) [9440W18-1S](#)