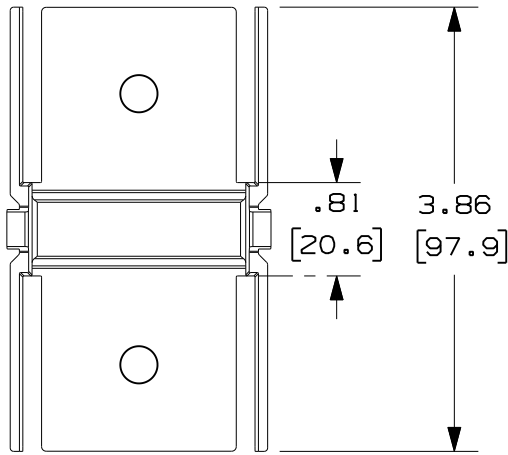


THIS COPY IS PROVIDED ON A RESTRICTED BASIS AND IS NOT TO BE USED IN ANY WAY DETRIMENTAL TO THE INTERESTS OF PANDUIT CORP.

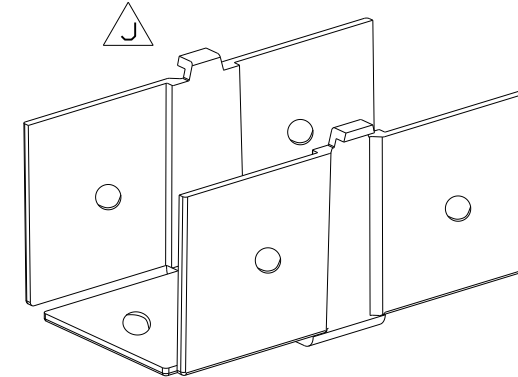
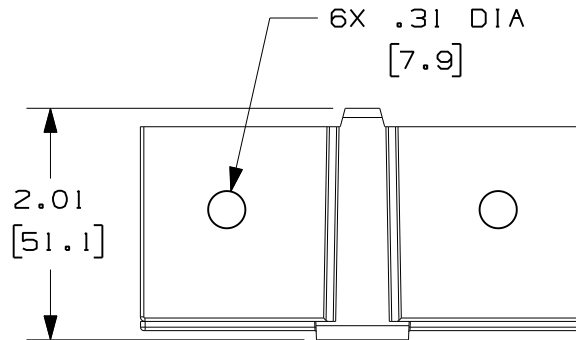
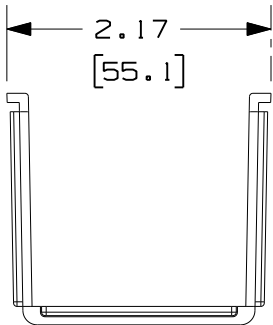


PANDUIT PART NUMBER	WEIGHT
FCF2X2	0.07 LB/EACH (32g/EACH)



NOTES:

1. SEE CURRENT CATALOG FOR ADDITIONAL PART SUFFIXES TO INDICATE COLOR AND/OR PACKAGE QUANTITY.
2. DIMENSIONS IN PARENTHESIS ARE IN METRIC.



ENG. REF.: D35245CA_DC_FCF2X2_04.PRT



CAD FILENAME/LAYERS

F FCF2X2.pdf

PANDUIT CORP. TINLEY PARK, ILLINOIS
FIBER-DUCT 2X2 COUPLER
(FCF2X2)
CUSTOMER DRAWING



UNLESS OTHERWISE SPECIFIED,
DIMENSIONAL TOLERANCES ARE:
(.X) ± (.XXX) ±
(.XX) ± .03 (.8) ANGLES ±

UNLESS OTHERWISE SPECIFIED,
ALL DIMENSIONS ARE GIVEN
IN INCHES, THIRD ANGLE PROJECTION.

DRAWN BY RCA

MAT'L:

SCALE

NONE

DATE 1-17-97

SEE NOTES
ABOVE

DRAWING NO.

35245-27

DWG

SIZE

REV	DATE	BY	CHK	DESCRIPTION	ECN	R	CUST	SUP
-	----	--	--	L. REVISED GENERAL NOTES	----	--	--	
-	----	--	--	K. REVISED CHART J. REVISED PART GEOMETRY	----	--	--	
-	----	--	--	I. REVISED DRAWING TITLE H. REVISED CAD FILENAME	----	--	--	
4	6-16-06	MSO	RN	G. REV'D DWG. TO CUR. STAND. F. REVISED AND REDRAWN	35245-27	RN	RN	



X-ON Electronics

Largest Supplier of Electrical and Electronic Components

Click to view similar products for [Wire Ducting & Raceways](#) category:

Click to view products by [Panduit](#) manufacturer:

Other Similar products are found below :

[800A-LB](#) [801I-LSP](#) [802A-ECSP](#) [802I-ICSP](#) [923223-000](#) [PRAF6WH-X](#) [A0405538](#) [1301150342](#) [1301160034](#) [1301170070](#) [1301180011](#)
[1301230083](#) [1301230153](#) [1301240273](#) [1301250006](#) [1302261238](#) [1302261321](#) [1302262552](#) [1302263103](#) [1302263178](#) [1302263259](#)
[1302263816](#) [1302263860](#) [1302264375](#) [1302264390](#) [1301150343](#) [1301160030](#) [1301170050](#) [1301170051](#) [1301170061](#) [1301180013](#)
[1301230086](#) [1301230130](#) [1301240054](#) [1302260055](#) [1302260376](#) [1302261343](#) [1302261344](#) [1302262674](#) [1302263095](#) [1302263166](#)
[1302263209](#) [1302263513](#) [1302263851](#) [1302263870](#) [1302264137](#) [1302264218](#) [DD1/J](#) [AX101472](#) [AX102007](#)