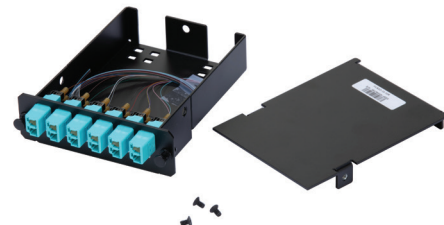


technical information

Opticom® Fiber Optic Splice Cassettes shall consist of fiber adapters and pre-terminated fiber leads for quick and easy splicing in high density applications. Connector options include LC, LC/APC, SC and SC/APC adapters for either multimode or singlemode applications. The splice cassettes are available with 250µm pigtails and flat ribbon pigtails for the LC, and 250µm pigtails for the SC versions. The cassettes include all accessories required for field splicing; splice protectors, splice holders, and cable ties to secure the incoming cable to the cassette body. Fiber and adapter colors follow TIA/EIA-568-C.3 suggested color identification scheme. The cassettes are compatible with all Opticom® Enclosures (FRME*, FCE*, FWME*) and patch panels.



application

Opticom® Splice Cassettes facilitate field splicing of twelve LC, LC/APC, SC, and SC/APC connectors in a convenient cassette-based system. These robust cassettes are applicable for enterprise, datacenter, colo, and edge deployments.

construction

Fiber count:	12
Fiber types:	Multimode: OM3/OM4 50/125µm Singlemode: OS2 9/125µm
Front connectivity:	LC Duplex, SC Duplex LC/APC Duplex (OS2 only) SC/APC Duplex (OS2 only)
Split sleeve material (SC or LC adapters):	Zirconia Ceramic: OM4 Multimode Cassettes OS2 Singlemode Cassettes
Includes:	1-meter Pigtails Splice Protection Sleeves (individual or ribbon) Cable Ties Splice Holder

environmental properties

Operating temperature:	0°C to +70°C (32°F to 158°F)
Storage and shipping temperature:	-40°C to +75°C (-40°F to 167°F)

performance properties

Insertion loss (Link loss):	OM4 Optimized IL	0.15dB plus splice loss
	OS2 Standard IL	0.35dB plus splice loss
Return loss:	Per fiber:	>26dB (OM4) >55dB (OS2)
Connector durability:	Connectors meet TIA/ EIA-568C.3 A.4.9 Durability: 500 Mating cycles	

standards

Connectivity meets or exceeds TIA/EIA-568-C.3 performance requirements. Supports IEEE 802.3ae and ANSI T11.2 (Fibre Channel) channel and link specifications. Compliant with ROHS 2002/95/EC.

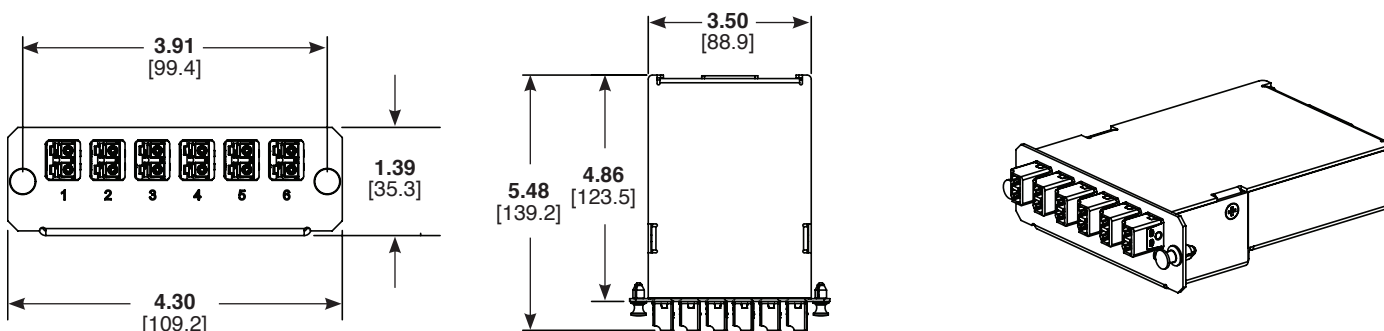
Opticom® Fiber Optic Splice Cassettes

part numbers

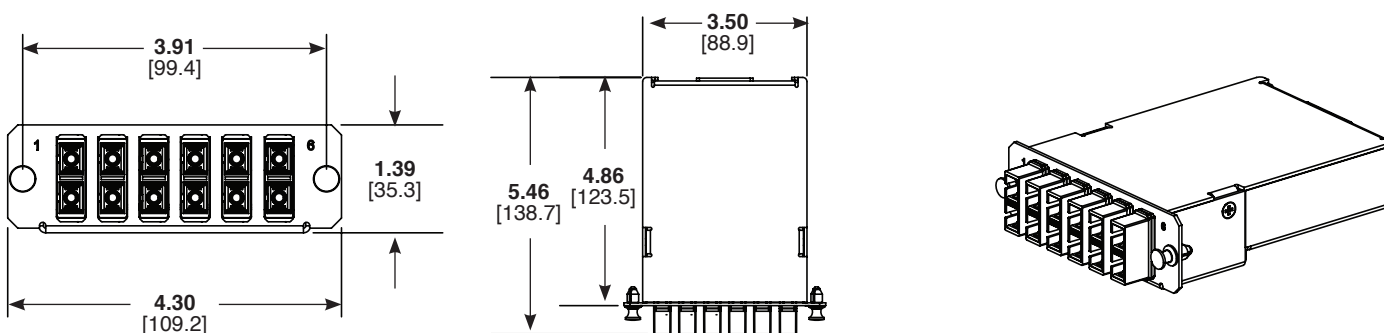
Part Number	Number of Fibers	Fiber Type	Connector	Port Count	Performance
FCS9N-12-10P^	12	OS2	LC	6	Standard (0.35dB + splice loss)
FCS9N-12-LAP^	12	OS2	LC/APC	6	Standard (0.35dB + splice loss)
FCSZO-12-10P^	12	OM3/OM4	LC	6	Optimized (0.15dB + splice loss)
FCS9N-12-03P	12	OS2	SC	6	Standard (0.35dB + splice loss)
FCS9N-12-SAP	12	OS2	SC/APC	6	Standard (0.35dB + splice loss)
FCSZO-12-03P	12	OM3/OM4	SC	6	Optimized (0.15dB + splice loss)

^Also available in ribbon fiber, change the "P" in the part number to an "R".

6-port LC duplex splice cassettes



6-port SC duplex splice cassettes



Dimensions are in inches [Dimensions in brackets are metric]

WORLDWIDE SUBSIDIARIES AND SALES OFFICES

PANDUIT US/CANADA
Phone: 800.777.3300

PANDUIT EUROPE LTD.
London, UK
Phone: 44.20.8601.7200

PANDUIT SINGAPORE PTE. LTD.
Republic of Singapore
Phone: 65.6305.7575

PANDUIT JAPAN
Tokyo, Japan
Phone: 81.3.6863.6000

PANDUIT LATIN AMERICA
Guadalajara, Mexico
Phone: 52.33.3777.6000

PANDUIT AUSTRALIA PTY. LTD.
Victoria, Australia
Phone: 61.3.9794.9020

For a copy of Panduit product warranties, log on to www.panduit.com/warranty

For more information

Visit us at www.panduit.com

Contact Customer Service by email: cs@panduit.com
or by phone: 800.777.3300

PANDUIT®

© 2020 Panduit Corp.
ALL RIGHTS RESERVED.
FBSP176--WW-ENG
5/2020

X-ON Electronics

Largest Supplier of Electrical and Electronic Components

Click to view similar products for [Fibre Optic Connectors](#) category:

Click to view products by [Panduit](#) manufacturer:

Other Similar products are found below :

[0004700001](#) [6100-R](#) [6313](#) [F709034706](#) [F709722200](#) [F709730000](#) [9446W18-19S](#) [953-101-5310-P](#) [954-101-57202B](#) [A0270169](#) [12-9122](#) [12-5702](#) [AX102420](#) [AX103923](#) [AX104193](#) [AX104230](#) [AX104498](#) [AX104562](#) [AX105203-B25](#) [AX105205-S1](#) [17-300800](#) [180-044NF06-11-2S](#) [180-044NF06-17-8P](#) [180-044NF07-11-2S](#) [181-011-126](#) [181-011-S](#) [20800001065](#) [9132](#) [2612](#) [2620](#) [9291](#) [9440F18-19S](#) [9440W18-1S](#) [9442W14S-10P](#) [9446FS28-13P-LC](#) [953-120-5003](#) [955-120-5110](#) [1757711-1](#) [180-044NF06-21-16P](#) [180-044NF07-11-2P](#) [180-122NFS7-11-4N](#) [181-001-127](#) [181-011-K](#) [F709400000](#) [F718100000](#) [F780856000](#) [FN379-2-](#) [21919-4](#) [CF-509621-29P](#) [CF-5A4011-02N](#)