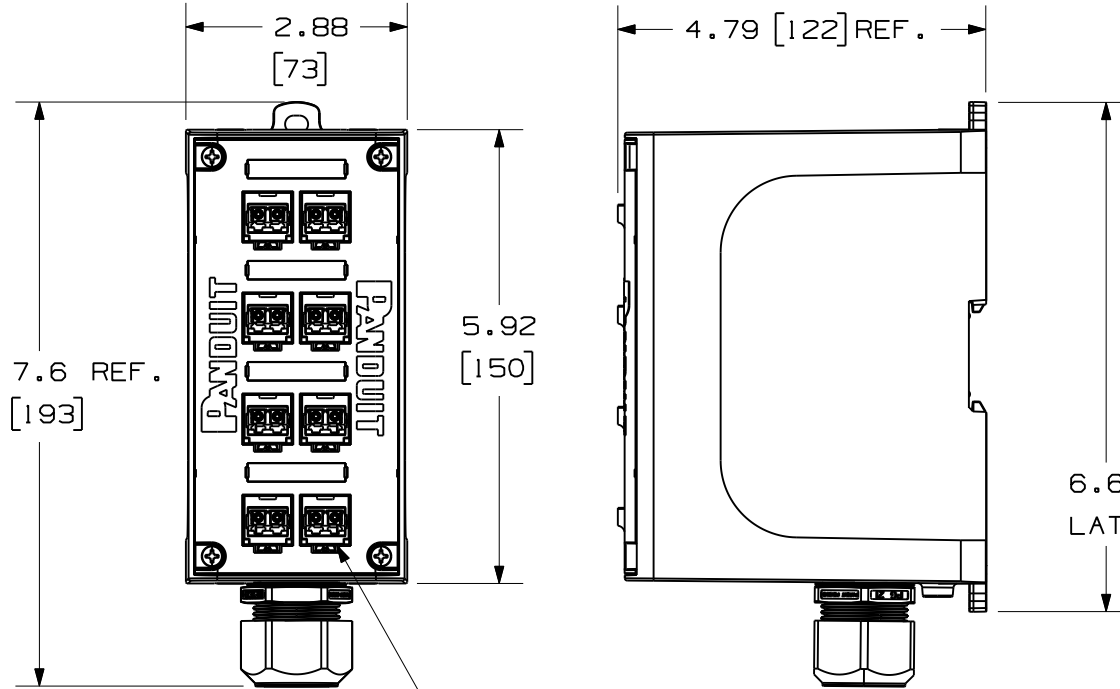


THIS COPY IS PROVIDED ON A RESTRICTED BASIS AND IS NOT TO BE USED IN ANY WAY DETRIMENTAL TO THE INTERESTS OF PANDUIT CORP.

BELOW VIEWS SHOWN
WITHOUT DUSTCAPS

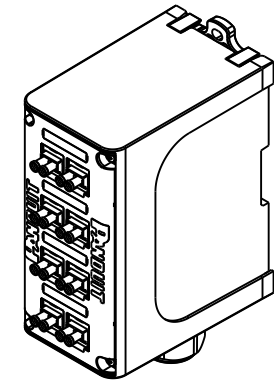


ASSEMBLY SHOWN WITH LC STYLE
ADAPTERS (SUPPLIED SEPARATELY)

PANDUIT P/N	WEIGHT
FDME8RG	0.72 LB/PCS (325 g/PCS)

NOTES:

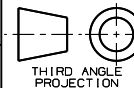
- SEE CURRENT CATALOG:
 - FOR TECHNICAL AND OPERATING SPECIFICATIONS.
 - FOR COMPLETE LIST OF PARTS APPLICABLE FOR USE WITH THIS PRODUCT.
- MATERIALS:
 - ENCLOSURE: COMPOSITE PLASTIC WITH METAL FASTENERS.
 - ALL MATERIALS AND COMPONENTS USED MEET THE MATERIAL RESTRICTIONS OF RoHS, (EUROPEAN DIRECTIVE 2002/95/EC ON THE RESTRICTION OF HAZARDOUS SUBSTANCES) AS PROPOSED BY THE RoHS TECHNICAL ADAPTATION COMMITTEE.
- DIMENSIONS IN BRACKETS ARE METRIC [mm].
- PART INCLUDES:
 - BASE ASSEMBLY
 - FACEPLATE
 - FIBER COVER
 - PG21 CORD GRIP
 - ULTIMATE ID LABELS AND COVERS
 - 6-32 X 3/8" PHILLIPS DRIVE SCREWS



ISOMETRIC VIEW
SHOWN WITH DUSTCAPS

8-PORT INDUSTRIALNET™
DIN RAIL MOUNT FIBER ENCLOSURE
CUSTOMER DRAWING

PANDUIT®
TINLEY PARK, IL 60487



ALL DIMENSIONS ARE GIVEN IN INCHES,
UNLESS OTHERWISE SPECIFIED,
DIMENSIONAL TOLERANCES ARE:
(.X) ±.03 (.XXX) ±.005
(.XX) ±.01 ANGLES ± 1°

DRAWN BY
MELC

REVIEW DRAWING NUMBERS

DATE
01-17-12

CHK'D
JGD

I.T. NUMBER	
PRODUCT SPEC/ PKG SPEC	
DRAWING FILENAME 11F151AE_DC/OOB	
SCALE NONE	
PART NO. FDME8RG	
DRAWING NO. 11F151AE-DC	SIZE A

REV	DATE	BY	CHK	DESCRIPTION	ECN	R	CUST	SUP	OTH
1	03-29-12	JGD	JAWI	RELEASE TO PRODUCTION	11F151AE-DC	JGD	RWB		

X-ON Electronics

Largest Supplier of Electrical and Electronic Components

Click to view similar products for [Enclosures, Boxes & Cases](#) category:

Click to view products by [Panduit](#) manufacturer:

Other Similar products are found below :

[585-R-WH-PK](#) [M-10-PLATED](#) [60221-01](#) [60566-01-000](#) [HPL-9VB BATT DOOR](#) [M18-PLTD](#) [M-21-PLATED](#) [63310-01-000](#) [6711GSKT](#)
[71884-29-028](#) [LH45-100 Black](#) [72868-510-000](#) [CNS-0000 Black](#) [72883-510-000](#) [CNS-0101 Black](#) [72906-510-000](#) [CNS-0407 Black](#) [73092-](#)
[510-000](#) [CNM-0101 Black](#) [73105-510-000](#) [CNL-0101 Black](#) [73108-510-000](#) [CNL-0303 Black](#) [73395-510-039](#) [CNS-0006 Bone](#) [74257-510-000](#)
[CNL-0004](#) [MDC-1183-PLAIN-ALUM](#) [MDC-1183-PTD](#) [MDC-13104-PTD](#) [MDC-321-PTD](#) [MDC-973-PTD](#) [76](#) [77153-01-028](#) [FLX6030](#)
[83535-01-508](#) [90026-501-000](#) [PS36-200](#) [116-508](#) [120-407](#) [120-910](#) [127-908](#) [130-008](#) [1301170079](#) [1322GSKTEP](#) [1325GSKT3](#) [1434-1210](#)
[EAS-500 \(BLACK ANO\)](#) [1804RP-RB-PK](#) [190-005](#) [2202307](#) [KAB3321 BLACK](#) [KAB3421](#) [2697466](#) [S52213](#) [2901123](#) [2901699](#) [A0645271](#)
[A20P20](#) [2106-IR](#) [PERF-850-PLN](#)