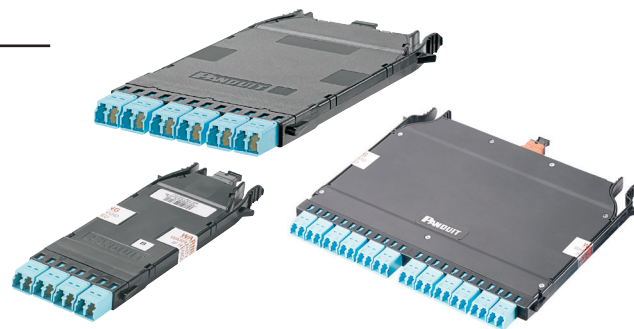


## technical information

HD Flex™ Fiber Optic Cassettes offer a wide array of deployment options to support both Ethernet and Fibre Channel networks. Cassette types are available with 1 MPO to 6 duplex LC connectors, (6-port) 1 MPO, 2 MPO, and 3 MPO to 12 duplex LC connectors (12-port), 1 MPO to 4 duplex LC connectors for breaking out parallel optics applications (4-port), and 6-port duplex LC cassettes for splice terminations. 6-port MPO and duplex LC fiber adapter panels (FAP) are also available. All LC connectors contain integral shutters to help prevent contamination.



## application

Allows system designers to tailor configuration, reach and breakout construction to application requirements; to minimize waste, optimize cable management, speed deployment, and improve flexibility and manageability for lower installation costs.

## construction

### Fiber types:

Multimode: OM3 50/125µm  
OM4 50/125µm  
Singlemode: OS2 9/125µm

### Front connectivity:

Multimode: LC Duplex Adapters (Shuttered)  
MPO Adapters (Key-up to Key-up,  
Key-up to Key-down)  
Singlemode: LC Duplex Adapters (Shuttered)  
MPO Adapters (Key-up to Key-down)

### Rear connectivity:

Multimode: MPO Adapter with MPO male connector  
MPO Adapters (Key-up to Key-up  
Method B, Key-up to Key-down Method A)  
12-fiber for splicing (ribbon, 250µm)  
Singlemode: MPO Adapter with MPO male connector  
MPO Adapters (Key-up to Key-down  
Method A) 12-fiber for splicing (ribbon, 250µm)

## performance properties

### Insertion loss:

Multimode:  
Optimized Cassette and Breakout Cassette: 0.5 dB  
Ultra Low Loss Cassette and Breakout Cassette: 0.35 dB  
Optimized Loss Splice Cassette: 0.15 dB plus splice loss  
Ultra Low Loss Splice Cassette: 0.10 dB plus splice loss  
Singlemode:  
Standard (1) 24F MPO cassette 1.2 dB  
Standard Cassette and Breakout Cassette: 0.75 dB  
Standard Loss Splice Cassette: 0.35 dB plus splice loss

### Return loss:

Per fiber: >26dB (OM3/OM4)  
>55dB (OS1/OS2)

### Connector durability:

Connectors meet TIA/EIA-568C.3 A.4.9 Durability:  
500 mating cycles

**Fiber count:** 8, 12 and 24

**Split sleeve material:** Zirconia ceramic

## environmental properties

**Operating temperature:** 0°C to +70°C  
(32°F to 158°F)

**Storage and shipping temperature:** -40°C to +70°C  
(-40°F to 158°F)

**Installation temperature:** 0°C to +60°C  
(32°F to 140°F)

## standards

Meets or exceeds: ISO/IEC 11801, ANSI/TIA-568-C.3,  
TIA-604-5 (FOCIS-5), TIA-604-10 (FOCIS-10),  
RoHS Compliant

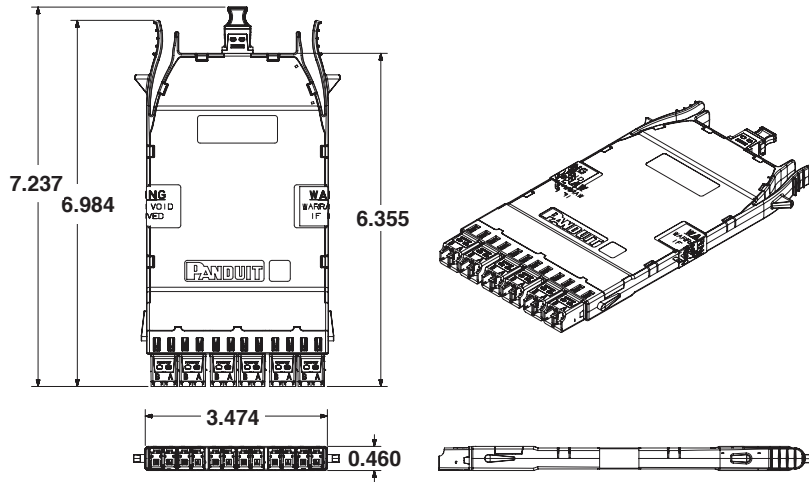
# HD Flex™ Fiber Optic Cassettes

Description	Part Number		
	6-port, 12-fiber (1 MPO)	12-port, 24-fiber (2 MPOs)	12-port, 24-fiber (1 MPO)
<b>HD Flex™ Cassettes - Duplex LC</b>			
<b>OM4 Fiber/Optimized Loss (0.50 dB)</b>			
Method A Polarity	FHCZO-12-10AS	FHCZO-24-10AS	–
Modified Method A Polarity (Pair flipped)	FHCZO-12-10AF	FHCZO-24-10AF	FHCZO-24F-10A
Method B Polarity	FHCZO-12-10BN	FHCZO-24-10BN	–
Universal Polarity	FHCZO-12-10U	FHCZO-24-10U	–
<b>OM4 / OM4+ Fiber/Ultra Low Loss (0.35 dB), *= Z for OM4, * = S for OM4+ Signature Core</b>			
Method A Polarity	FHC*A-12-10AS	FHC*A-24-10AS	–
Modified Method A Polarity (Pair flipped)	FHC*A-12-10AF	FHC*A-24-10AF	–
Method B Polarity	FHC*A-12-10BN	FHC*A-24-10BN	–
Universal Polarity	FHC*A-12-10U	FHC*A-24-10U	–
<b>OM3 Fiber/Optimized Loss (0.50 dB)</b>			
Method A Polarity	FHCXO-12-10AS	FHCXO-24-10AS	–
Modified Method A Polarity (Pair flipped)	FHCXO-12-10AF	FHCXO-24-10AF	FHCXO-24F-10A
Method B Polarity	FHCXO-12-10BN	FHCXO-24-10BN	–
Universal Polarity	FHCXO-12-10U	FHCXO-24-10U	–
<b>OS2 Fiber/Standard Loss (0.75 dB)</b>			
Method A Polarity	FHC9N-12-10AS	FHC9N-24-10AS	–
Modified Method A Polarity (Pair flipped)	FHC9N-12-10AF	FHC9N-24-10AF	FHC9N-24F-10A
Universal Polarity	FHC9N-12-10U	FHC9N-24-10U	–
<b>HD Flex™ LC Splice Cassettes</b>			
<b>OM4 Fiber/Optimized Loss (0.15 dB)</b>			
Pre-loaded with 12 pigtails (250µm) and 12 splice sleeves	FHSZO-12-10P		
Pre-loaded with 12-fiber ribbon pigtail and 1 ribbon fiber splice sleeve	FHSZO-12-10R		
<b>OM4 Fiber/Ultra Low Loss (0.10 dB)</b>			
Pre-loaded with 12 pigtails (250µm) and 12 splice sleeves	FHSZA-12-10P		
Pre-loaded with 12-fiber ribbon pigtail and 1 ribbon fiber splice sleeve	FHSZA-12-10R		
<b>OM3 Fiber/Optimized Loss (0.15 dB)</b>			
Pre-loaded with 12 pigtails (250µm) and 12 splice sleeves	FHSXO-12-10P		
Pre-loaded with 12-fiber ribbon pigtail and 1 ribbon fiber splice sleeve	FHSXO-12-10R		
<b>OS2 Fiber/Standard Loss (0.35 dB)</b>			
Pre-loaded with 12 pigtails (250µm) and 12 splice sleeves	FHS9N-12-10P		
Pre-loaded with 12-fiber ribbon pigtail and 1 ribbon fiber splice sleeve	FHS9N-12-10R		
<b>HD Flex™ LC and MPO Fiber Adapter Panels</b>			
<b>LC Fiber Adapter Panels</b>			
6 LC Duplex Multimode Adapters in Aqua with Zirconia sleeves	FHSXN-12-10N		
6 LC Duplex Singlemode Adapters in Blue with Zirconia sleeves	FHS9N-12-10N		
<b>MPO Fiber Adapter Panels</b>			
6 MPO Type A Adapters (Key-Up to Key-Down) in Black	FHMP-6-ABL		
6 MPO Type B Adapters (Key-Up to Key-Up) in Charcoal Gray	FHMP-6-BCG		
6 MPO Type A Adapters (Key-Up to Key-Down) in Red	FHMP-6-ARD		
<b>HD Flex™ Breakout Cassettes</b>			
<b>OM4 Fiber/Optimized Loss (0.50 dB)</b>			
Method B Polarity*	FHC3ZO-08H-10B	FHC3ZO-08-10BN	FHC3ZO-24H-10B
<b>OM4 Fiber/Ultra Low Loss (0.35 dB)</b>			
Method B Polarity*	FHC3ZA-08H-10B	FHC3ZA-08-10BN	FHC3ZA-24H-10B
<b>OM3 Fiber/Optimized Loss (0.50 dB)</b>			
Method B Polarity*	FHC3XO-08H-10B	FHC3XO-08-10BN	FHC3XO-24H-10B
<b>OS2 Fiber/Standard Loss (0.75 dB)</b>			
Method A Polarity	FHC39N-08H-10A	FHC39N-08-10AN	FHC39N-24H-10A

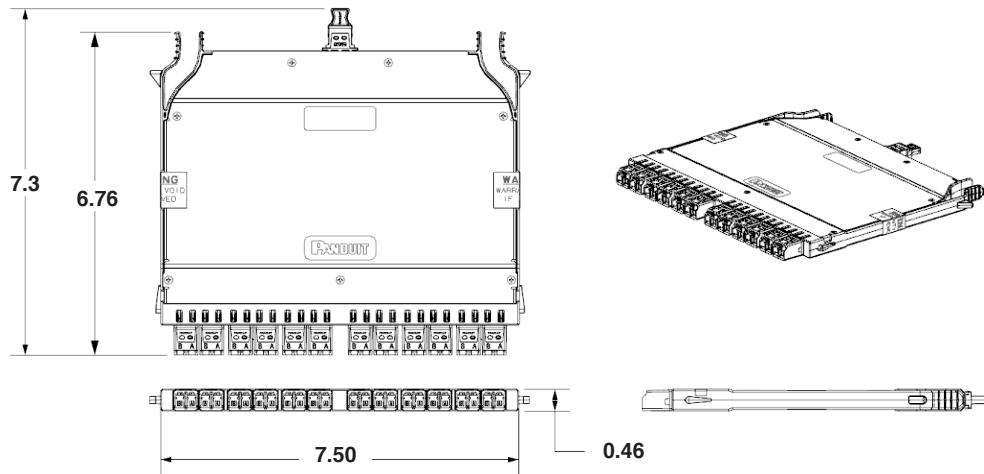
\* Change "B" to "A" in part numbers for Method A.

# HD Flex™ Fiber Optic Cassettes

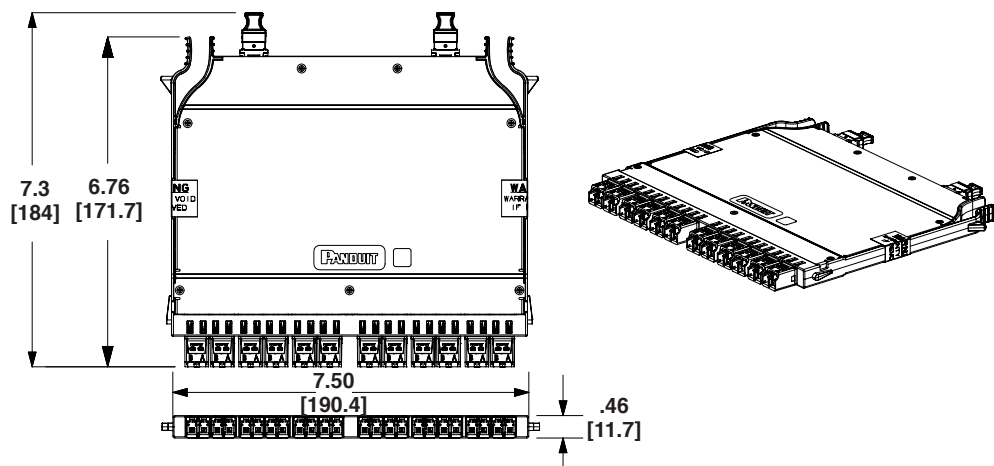
## 6-port Duplex LC to MPO Cassette



## 12-port Duplex LC to MPO Cassette

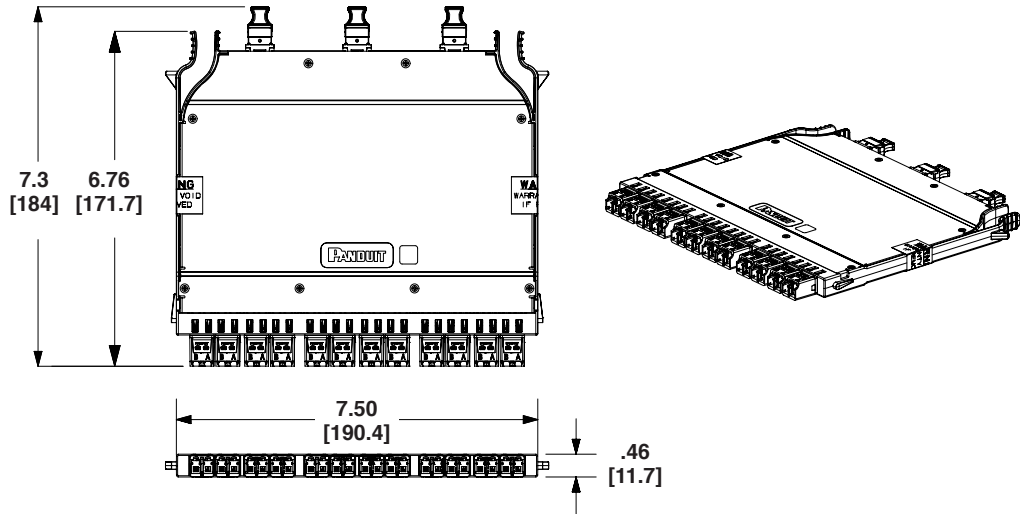


## 12-Port Duplex LC to (2) 12-Fiber MPO Cassette

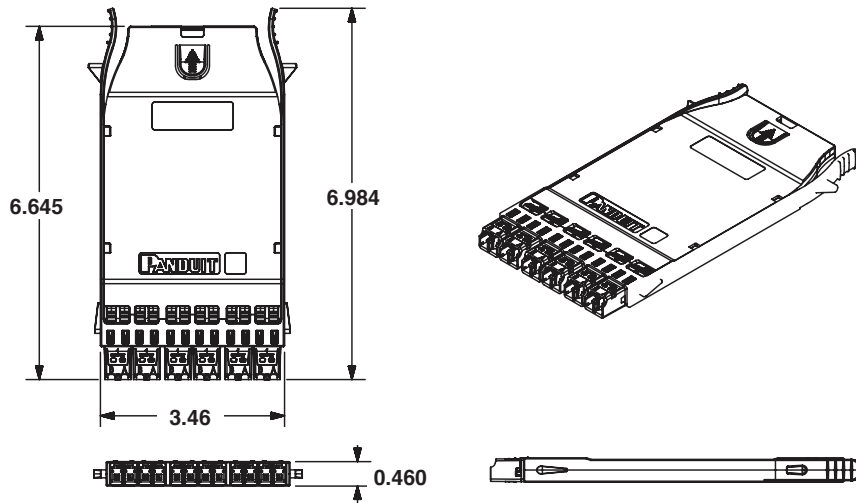


# HD Flex™ Fiber Optic Cassettes

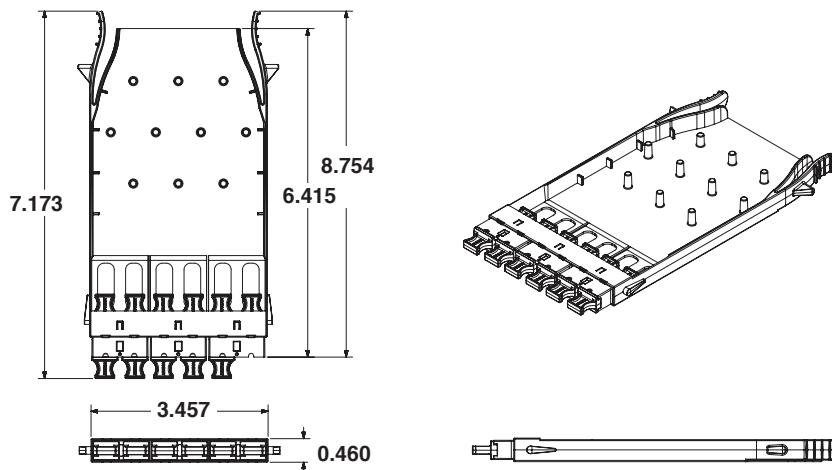
## 4 to 1 Conversion Cassette, (3) 8-Fiber MPO to (12) Duplex LC



## 6-port Duplex LC Splice Cassette/Fiber Adapter Panel

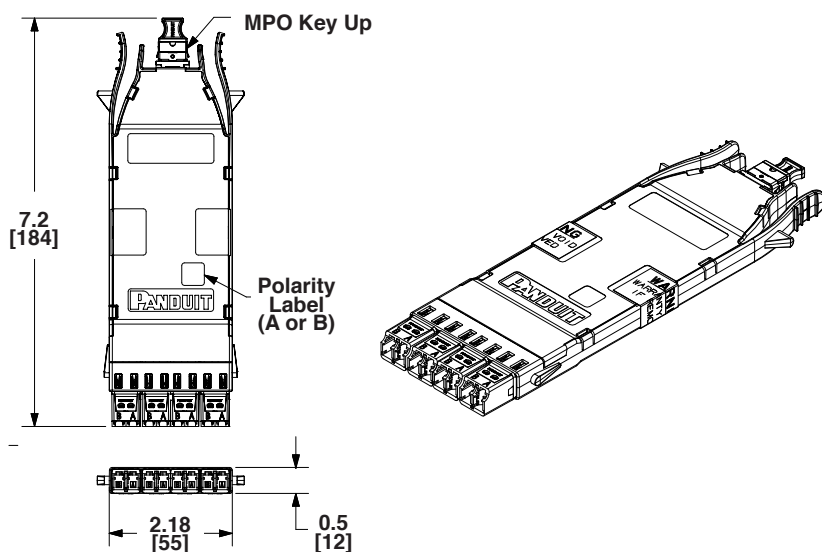


## 6-port MPO Fiber Adapter Panel



# HD Flex™ Fiber Optic Cassettes

## 4-Port 4-to-1 Conversion Cassette



### WORLDWIDE SUBSIDIARIES AND SALES OFFICES

PANDUIT US/CANADA  
Phone: 800.777.3300

PANDUIT EUROPE LTD.  
London, UK  
cs-emea@panduit.com  
Phone: 44.20.8601.7200

PANDUIT SINGAPORE PTE. LTD.  
Republic of Singapore  
cs-ap@panduit.com  
Phone: 65.6305.7575

PANDUIT JAPAN  
Tokyo, Japan  
cs-japan@panduit.com  
Phone: 81.3.6863.6000

PANDUIT LATIN AMERICA  
Guadalajara, Mexico  
cs-la@panduit.com  
Phone: 52.33.3777.6000

PANDUIT AUSTRALIA PTY. LTD.  
Victoria, Australia  
cs-aus@panduit.com  
Phone: 61.3.9794.9020

For a copy of Panduit product warranties, log on to [www.panduit.com/warranty](http://www.panduit.com/warranty)

For more information

Visit us at [www.panduit.com](http://www.panduit.com)

Contact Customer Service by email: [cs@panduit.com](mailto:cs@panduit.com)  
or by phone: 800-777-3300

**PANDUIT**®

©2018 Panduit Corp.  
ALL RIGHTS RESERVED.  
FBSP96--WW-ENG  
4/2018

## X-ON Electronics

Largest Supplier of Electrical and Electronic Components

*Click to view similar products for [Fibre Optic Connectors](#) category:*

*Click to view products by [Panduit](#) manufacturer:*

Other Similar products are found below :

[0004700001](#) [6100-R](#) [6313](#) [F709034706](#) [F709722200](#) [F709730000](#) [953-101-5310-P](#) [954-101-57202B](#) [A0270169](#) [12-9122](#) [12-5702](#)  
[AX103923](#) [AX104193](#) [AX104230](#) [AX104498](#) [AX104562](#) [AX105205-S1](#) [17-300800](#) [180-044NF06-11-2S](#) [180-044NF06-17-8P](#) [180-044NF07-11-2S](#) [9132](#) [2612](#) [2620](#) [9291](#) [9440F18-19S](#) [9440W18-1S](#) [9442W14S-10P](#) [9446FS28-13P-LC](#) [953-120-5003](#) [955-120-5110](#)  
[1757711-1](#) [180-044NF06-21-16P](#) [180-044NF07-11-2P](#) [180-122NFS7-11-4N](#) [181-001-127](#) [F718100000](#) [FN379-2-](#) [21919-4](#) [CF-509621-29P](#)  
[CF-5A4011-02N](#) [H05040010](#) [330-8674-013](#) [AX104121](#) [AX104271](#) [AX105210-S1](#) [501048-1](#) [05.502.1400.0](#) [106012-7500](#) [106125-1250](#)