

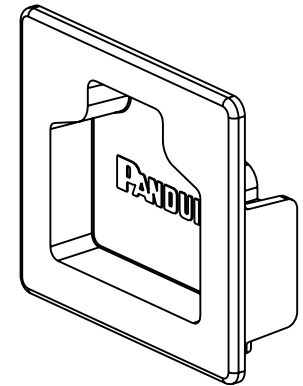
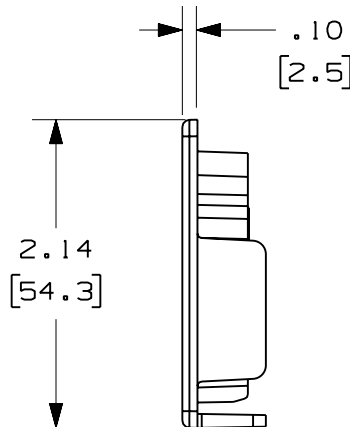
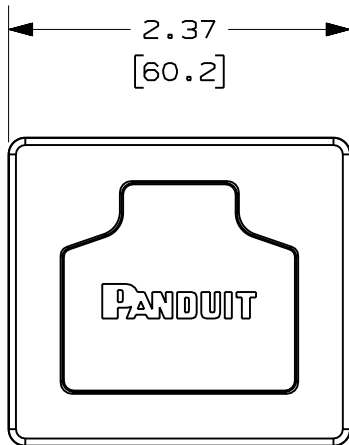
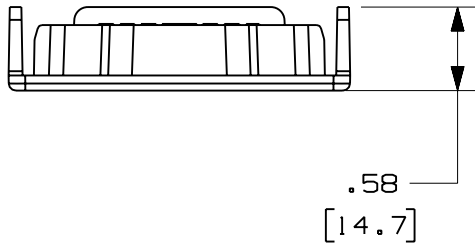
THIS COPY IS PROVIDED ON A RESTRICTED BASIS AND IS NOT TO BE USED IN ANY WAY DETRIMENTAL TO THE INTERESTS OF PANDUIT CORP.

PANDUIT PART NUMBER	WEIGHT
FHDEC2X2	0.03 LB/EACH (15g/EACH)



**NOTES:**

1. SEE CURRENT CATALOG FOR ADDITIONAL PART SUFFIXES TO INDICATE COLOR AND/OR PACKAGE QUANTITY.
2. DIMENSIONS IN PARENTHESES ARE IN METRIC.



ENG. REF.: D38390BB\_DC\_FHDEC2X2\_01.prt

CAD FILENAME/LAYERS A FHDEC2X2.pdf

PANDUIT

CORP TINLEY PARK, ILLINOIS

PANDUCT TYPES H AND HS 2x2 WIRING DUCT  
AND FIBERRUNNER 2x2 END CAP (FHDEC2X2)  
CUSTOMER DRAWING

UNLESS OTHERWISE SPECIFIED,  
DIMENSIONAL TOLERANCES ARE:  
(.X) ± (.XXX) ±  
(.XX) ± .03 (.8) ANGLES ±

UNLESS OTHERWISE SPECIFIED,  
ALL DIMENSIONS ARE GIVEN IN  
INCHES, THIRD ANGLE PROJECTION.

-	-----	---	--	C. REVISED PART WEIGHT	-----	--	--						
1	6-21-06	DTP	RN	B. REVISED DRAWING TITLE A. REVISED CAD FILE NAME	38390-02	RN	RN						
R	2-21-02	JHNU	DJWA	RELEASED TO PRODUCTION	38390-02	HIW	HIW						
REV	DATE	BY	CHK	DESCRIPTION	ECN	R	CUST	SUP	GMBH				

DRAWN BY JHNU	MAT'L: ABS	SCALE NONE
DATE 2-21-02		DRAWING NO. 38390-02
CHK'D DJWA		DWG A SIZE

## X-ON Electronics

Largest Supplier of Electrical and Electronic Components

*Click to view similar products for [Wire Ducting & Raceways](#) category:*

*Click to view products by [Panduit](#) manufacturer:*

Other Similar products are found below :

[800A-LB](#) [801I-LSP](#) [802A-ECSP](#) [802I-ICSP](#) [923223-000](#) [PRAF6WH-X](#) [A0405538](#) [1301150342](#) [1301160034](#) [1301170070](#) [1301180011](#)  
[1301230083](#) [1301230153](#) [1301240273](#) [1301250006](#) [1302261238](#) [1302261321](#) [1302262552](#) [1302263103](#) [1302263178](#) [1302263259](#)  
[1302263816](#) [1302263860](#) [1302264375](#) [1302264390](#) [1301150343](#) [1301160030](#) [1301170050](#) [1301170051](#) [1301170061](#) [1301180013](#)  
[1301230086](#) [1301230130](#) [1301240054](#) [1302260055](#) [1302260376](#) [1302261343](#) [1302261344](#) [1302262674](#) [1302263095](#) [1302263166](#)  
[1302263209](#) [1302263513](#) [1302263851](#) [1302263870](#) [1302264137](#) [1302264218](#) [DD1/J](#) [AX102007](#) [AX102411](#)