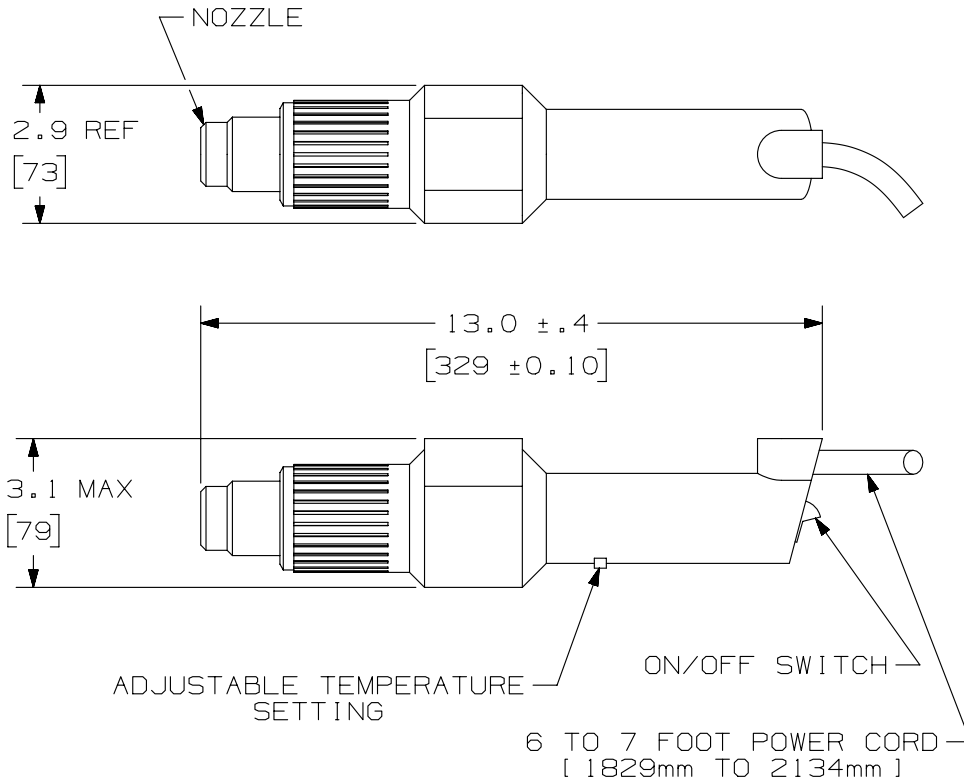
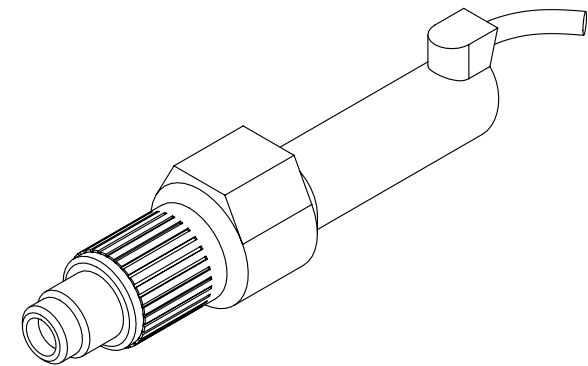


THIS COPY IS PROVIDED ON A RESTRICTED BASIS AND IS NOT TO BE USED IN ANY WAY DETRIMENTAL TO THE INTERESTS OF PANDUIT CORP.

PANDUIT PART NUMBER	WEIGHT	OPERATING SPECIFICATIONS	ADJUSTABLE OPERATING TEMPERATURE	AGENCY APPROVAL	PLUG CONFIGURATION
FHSCT	1.36 lbs EACH [620.0 G EACH]	120 VAC/60 Hz 1500 W 12.5 A	200° F to 1050° F	UL/CSA	
FHSCT-W		230 VAC/50 Hz 2000 W 8.7 A	100° C to 600° C	VDE/GS/CE EMV	



- NOTES:
- SEE CURRENT CATALOG FOR ADDITIONAL PART NUMBER SUFFIXES TO INDICATE PACKAGE QUANTITIES.
 - ALL DIMENSIONS IN [] ARE METRIC.



PART NUMBER		FHSCT, FHSCT-W	
TITLE		HEAT SHRINK CURING TOOL	
		CUSTOMER DRAWING	
ITEM REVISION NAME		M01190BX/02	
DATASET FILE NAME		M01190BX_DC/00B	
UNLESS OTHERWISE SPECIFIED, DIMENSIONAL TOLERANCES ARE: IN [mm]		MATERIAL:	
.x ± .xxx ± .010 [.3]			
.xx ± .03 [.8] ANGLES ±		DRAWING NUMBER:	
THIRD ANGLE PROJECTION		01190-22	
DRAWN BY	DATE	CHK	SCALE
EFK	10-10-03	RTFI	NONE
SHT 1 OF 1		A	

REV	DATE	BY	CHK	APR	DESCRIPTION	ECN
2	2/6/15	JSP	WJM	RWB	A. REVISED DRAWING TITLE BLOCK.	01190-22

D101000DA/14

X-ON Electronics

Largest Supplier of Electrical and Electronic Components

Click to view similar products for [Heat Guns & Nozzles](#) category:

Click to view products by [Panduit](#) manufacturer:

Other Similar products are found below :

[991027-000](#) [AES-IR550-63-PC-BRD](#) [IR-1000-P-N-13-LAMP](#) [576297-000](#) [298392-000](#) [TG-24-RFL-LGE-BOOT](#) [16806](#) [N-D4515](#) [H-TS40](#)
[CV1981-ST-230V1600W-EU](#) [848298-000](#) [CV-1981-PID-S-BRSH42V120V](#) [T0058762858](#) [HL-GEN-TUBE-REFLECTOR](#) [EH0600-000](#)
[T0058727812](#) [17621](#) [HG 2220 E](#) [HG 2320 LCD](#) [HL 1620 S](#) [HL 1920 E](#) [HL 2020 E](#) [1080](#) [1082](#) [ST070618](#) [34424](#) [34006](#) [34040](#) [34016](#)
[34438](#) [34406](#) [34038](#) [34034](#) [34026](#) [34014](#) [TB100PK](#) [T0058727772N](#) [T0058736867N](#) [T0058736870N](#) [T0058727823](#) [T0058727821](#)
[4000649009625](#) [4000649063953](#) [4007841009076](#) [4007841009083](#) [4007841009090](#) [4007841009571](#) [4007841009595](#) [4007841010294](#)
[4007841011925](#)