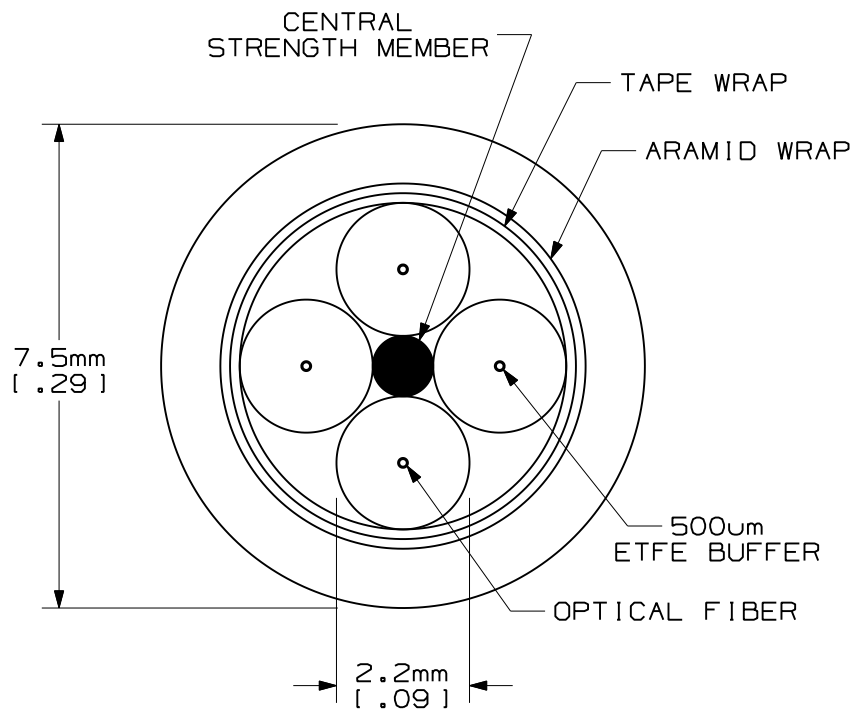


THIS COPY IS PROVIDED ON A RESTRICTED BASIS AND IS NOT TO BE USED IN ANY WAY DETRIMENTAL TO THE INTERESTS OF PANDUIT CORP.



BREAKOUT TUBE COLORS	
2 FIBER	BLUE, ORANGE, 2 FILLER TUBES
4 FIBER	BLUE, ORANGE, GREEN, BROWN

PART NUMBER	FIBER TYPE	FIBER COUNT	WEIGHT
F12D102	62.5/200/230 OM1 POLYMER COATED FIBER	2	50 kg/km (7LBS/kft)
F12D104		4	
F12D202	50/200/230 OM2 POLYMER COATED FIBER	2	
F12D204		4	

TECHNICAL SPECIFICATIONS			
MAXIMUM ATTENUATION			
850nm		1300nm	
5dB/km		3dB/km	
TENSILE LOAD		BEND RADIUS	
INSTALLATION	LONG TERM	INSTALLATION	LONG TERM
400 N (90 lbs)	200 N (45 lbs)	113mm (4.45 in)	75mm (2.95 in)
TEMPERATURE			
INSTALLATION/OPERATION		STORAGE	
-20°C TO 80°C -4°F TO 176°F		-40°C TO 80°C -40°F TO 176°F	

NOTES:

1. CABLE JACKET MEETS UL1666 FOR RISER RATING AND THE REQUIREMENTS OF IEC 60332, IEC 61034 AND IEC 60754 FOR LSZH FLAME RATING.
2. DIAMETER DIMENSION, SHOWN FOR REFERENCE ONLY.
3. DIMENSIONS IN BRACKETS (in) ARE ENGLISH.
4. ALL MATERIALS AND COMPONENTS USED MEET THE MATERIAL RESTRICTIONS OF RoHS (EUROPEAN DIRECTIVE 2002/95/EC ON THE RESTRICTION OF HAZARDOUS SUBSTANCES) AS PROPOSED BY THE RoHS TECHNICAL ADAPTATION COMMITTEE.

TITLE		2 AND 4 FIBER BREAKOUT PCF STYLE CABLE	
CUSTOMER DRAWING			
ITEM REVISION NAME		11F159EF/00 PCF 4 FIBER CABLE	
DATASET FILE NAME		11F159EF_DC/00A	
UNLESS OTHERWISE SPECIFIED, DIMENSIONAL TOLERANCES ARE: IN (mm)		MATERIAL:	
.x : .1 (2.54) .xxx : .005 (.127)		SEE NOTE 4	
.xx : .01 (.25) ANGLES : 5 °		DRAWING NUMBER:	
THIRD ANGLE PROJECTION		11F159EF-DC	
DRAWN BY	DATE	CHK	SCALE
MC	07-09-12	WMA	NONE
REV		SHT 1 OF 1	
A		A	

REV	DATE	BY	CHK	APR	DESCRIPTION	ECN
R	09-18-12	SAT	WMA	TCB	RELEASED TO PRODUCTION	11F159EF-DC

D10100DA/11

X-ON Electronics

Largest Supplier of Electrical and Electronic Components

Click to view similar products for [Fibre Optic Cable Assemblies](#) category:

Click to view products by [Panduit](#) manufacturer:

Other Similar products are found below :

[7-21002-9](#) [760-1518](#) [FA04390-50-M-72-LC-N](#) [MLB 501 V RED](#) [MLB 501 V YELLOW](#) [1-3636-600-5208](#) [2061529-7](#) [1-6693182-0](#)
[1754898-1](#) [21055-6](#) [FXBSCSCE2LM002](#) [3000005](#) [3-21053-2](#) [MLB 200/1 V BLACK](#) [5492011-6](#) [106284-7000](#) [5492011-5](#) [5492011-8](#)
[5492011-9](#) [8-21007-5](#) [2123524-2](#) [2123524-1](#) [106386-4447](#) [DFSM-SCSC-2M](#) [2123909-4](#) [2123909-8](#) [106273-0629](#) [2125046-1](#) [2821236-3](#)
[2821310-2](#) [2821310-3](#) [2821313-4](#) [FX2ERLNLNSNM0.5](#) [CF-980062-074](#) [CF-901200-394](#) [CF-980062-073](#) [CF-980062-071](#) [CF-980062-075](#)
[CF-980062-072](#) [17-300310-100](#) [2821236-2](#) [2821313-1](#) [G-FC-FC-S-002.0-DX-A-18-Y](#) [G-E2A-E2A-S-003.0-SX-A-18-Y](#) [956-322-502214](#)
[FA04474](#) [1083665](#) [1111540](#) [1111843](#) [1115533](#)