

FIGURE 1

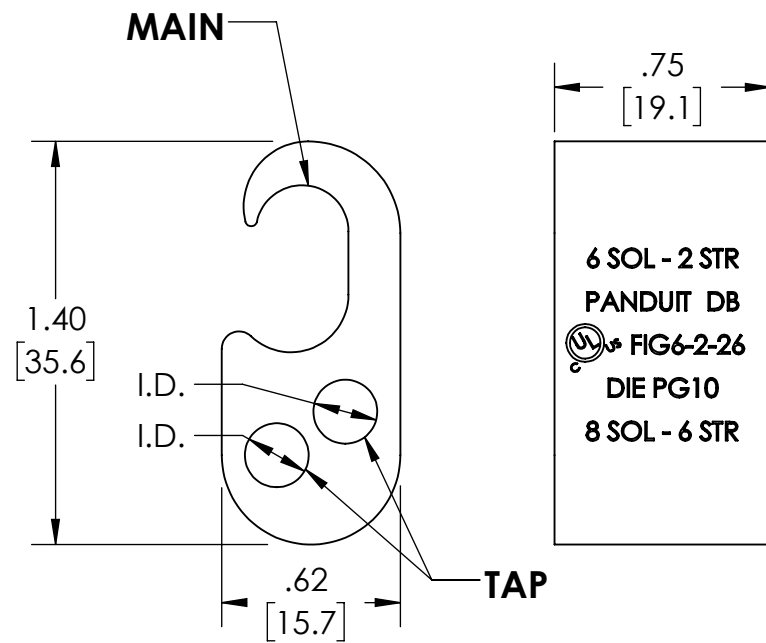


FIGURE 2

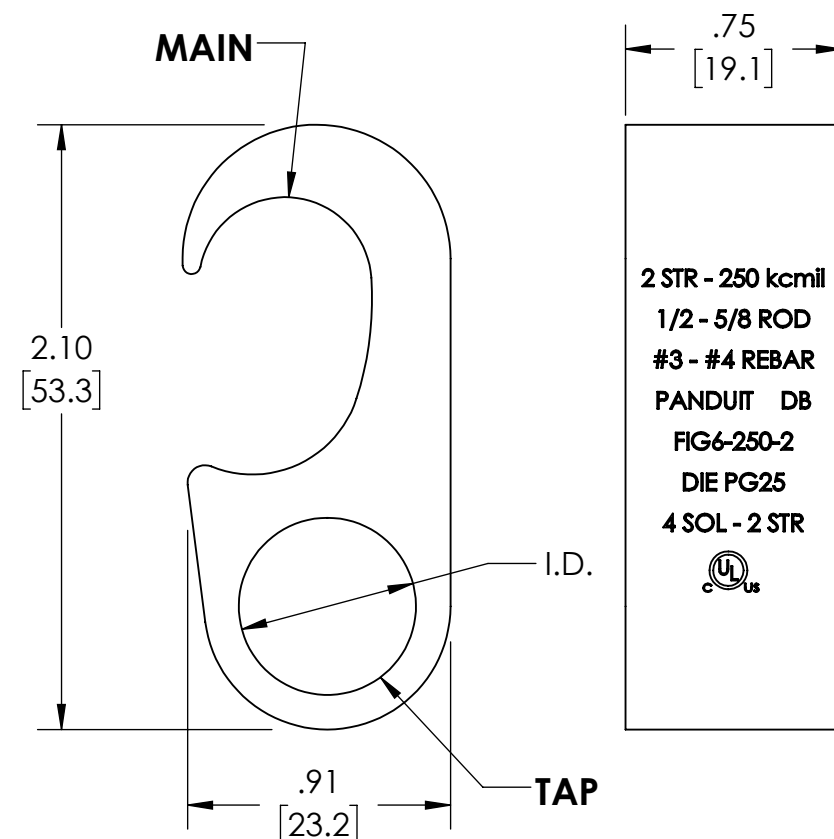


FIGURE 3

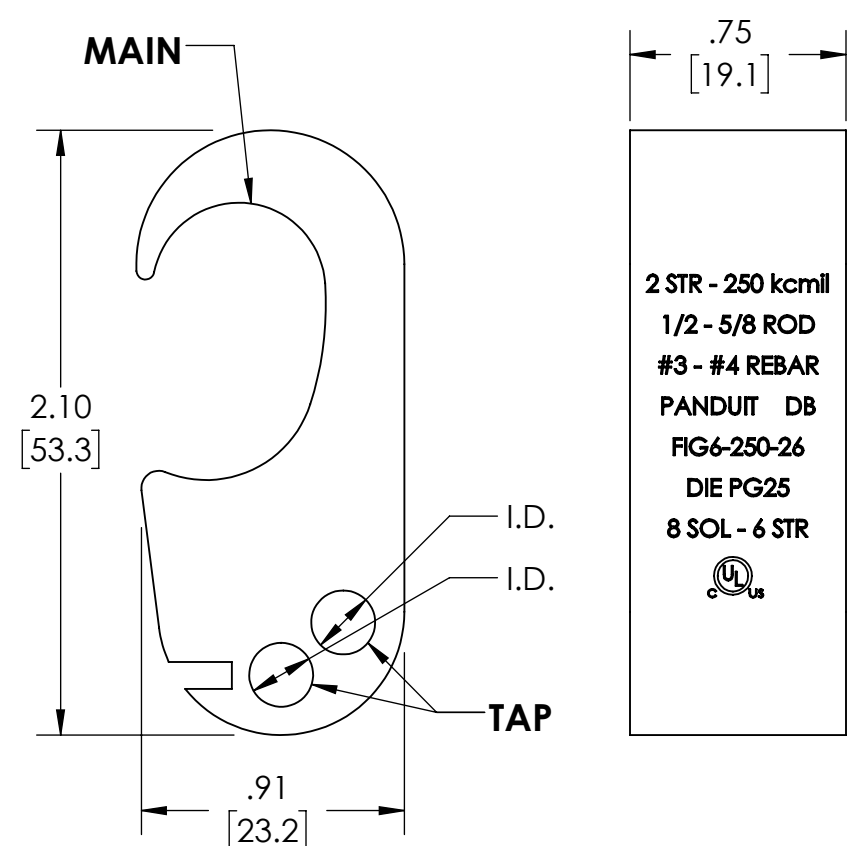


FIGURE 4

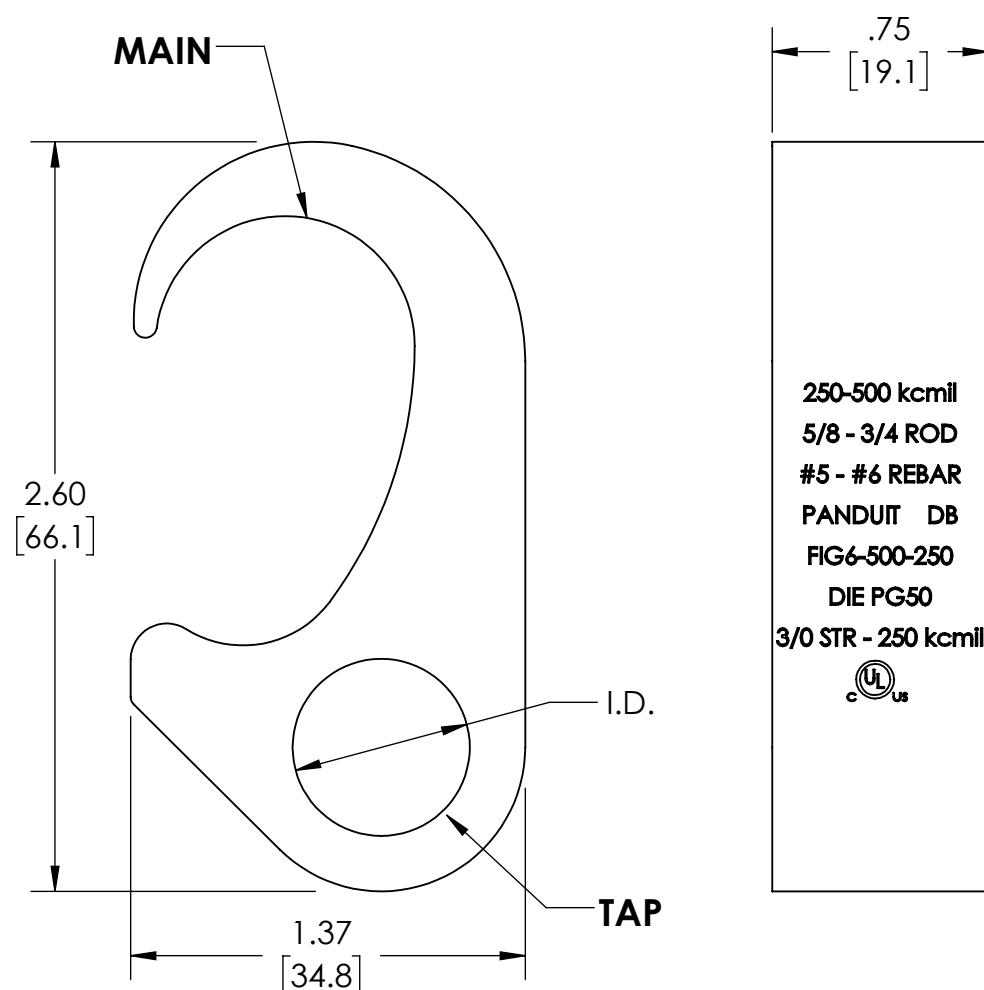


FIGURE 5

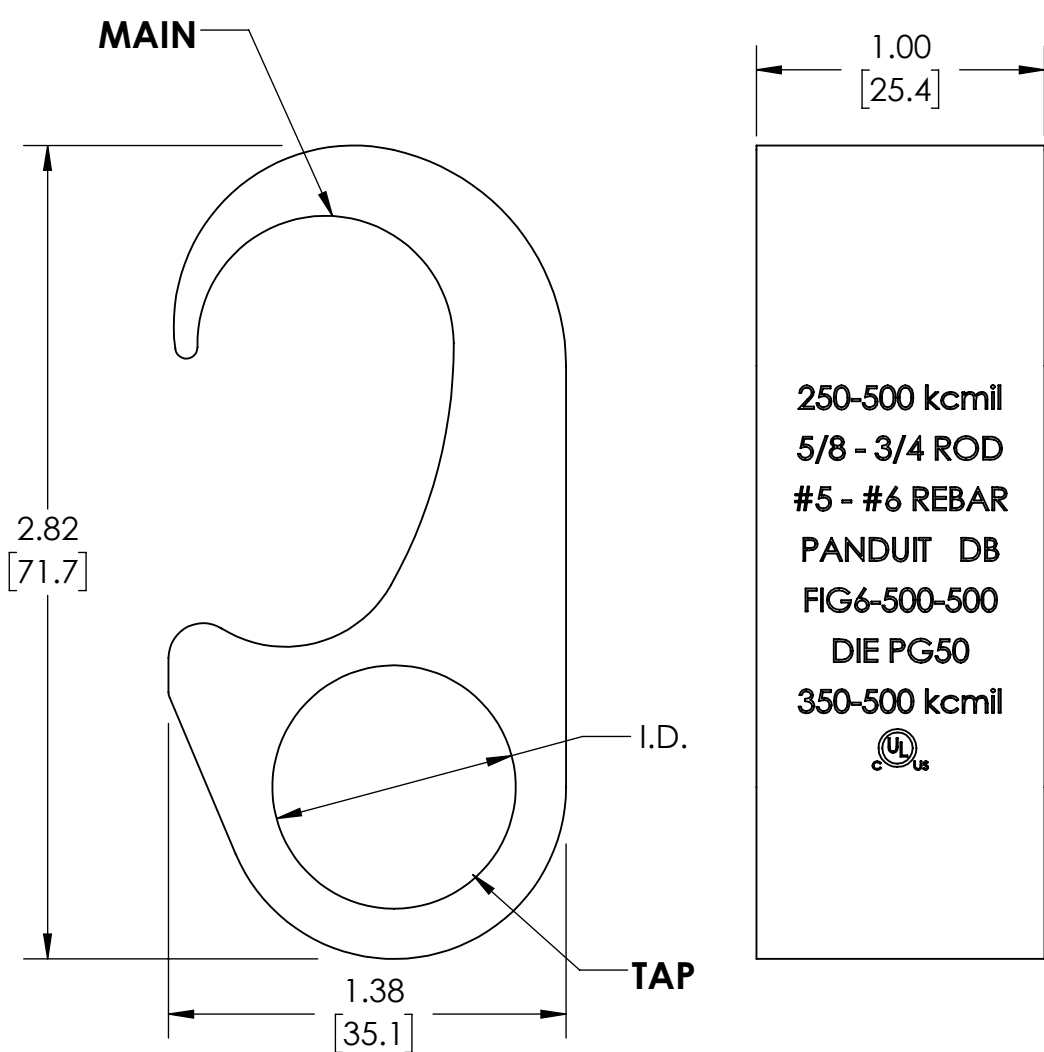


FIGURE 6

PANDUIT PART NUMBER	MAIN - AWG (METRIC)			TAP - AWG (METRIC)	DIMENSIONS - IN [mm]		PANDUIT DIE COLOR CODE INDEX (QTY OF CRIMPS)	STD. PKG. QTY.
	COPPER CABLE	GROUND ROD	REBAR	COPPER CABLE	FIGURE	I.D.		
FIG6-2-2	SOLID: 6 AWG - 2 AWG STRANDED: 6 AWG - 2 AWG (16-25 sq mm)	N/A	N/A	SOLID: *6 AWG - 2 AWG STRANDED: 6 AWG - 2 AWG (16-25 sq mm)	FIGURE 1	0.33 [8.3]	RED PG10 (1)	1
FIG6-2-26				SOLID: 8 AWG - 6 AWG STRANDED: 8 AWG - 6 AWG (10 sq mm) QUANTITY: 1 OR 2 WIRES	FIGURE 2	0.22 [5.6]		
FIG6-250-2	SOLID: N/A STRANDED: 2 AWG - 250 kcmil (35-120 sq mm)	1/2" - 5/8" ROD (12.7 - 15.9mm) ROD TYPES: COPPER CLAD SOLID COPPER STAINLESS STEEL	3/8" - 1/2"; #3-#4 REBAR (9.5-12.7mm, #10M-#13M REBAR)	SOLID: 4 AWG - 2 AWG STRANDED: 4 AWG - 2 AWG (25 sq mm)	FIGURE 3	0.33 [8.3]	BLACK PG25 (1)	1
FIG6-250-26				SOLID: 8 AWG - 6 AWG STRANDED: 8 AWG - 6 AWG (10 sq mm) QUANTITY: 1 OR 2 WIRES	FIGURE 4	0.22 [5.6]		
FIG6-250-2/0				SOLID: N/A STRANDED: 1/0 AWG - 2/0 AWG	FIGURE 3	0.44 [11.2]		
FIG6-250-250				SOLID: N/A STRANDED: 3/0 AWG - 250 kcmil (95-120 sq mm)	FIGURE 3	0.62 [15.7]		
FIG6-500-2	SOLID: N/A STRANDED: 250-500 kcmil (150-240 sq mm)	5/8" - 3/4" ROD (15.9 - 19.1mm) ROD TYPES: COPPER CLAD SOLID COPPER STAINLESS STEEL	5/8" - 3/4"; #5-#6 REBAR (15.9-19.1mm, #16M-#19M REBAR)	SOLID: 4 AWG - 2 AWG STRANDED: 4 AWG - 2 AWG (25 sq mm)	FIGURE 5	0.33 [8.3]	BLUE PG50 (1)	1
FIG6-500-2/0				SOLID: N/A STRANDED: 1/0 AWG - 2/0 AWG	FIGURE 5	0.44 [11.2]		
FIG6-500-250				SOLID: N/A STRANDED: 3/0 AWG - 250 kcmil (95-120 sq mm)	FIGURE 5	0.62 [15.7]		
FIG6-500-500				SOLID: N/A STRANDED: 350 - 500 kcmil (185-240 sq mm)	FIGURE 6	0.85 [21.6]		

NOTES:

- DIMENSIONS IN PARENTHESIS ARE MILLIMETERS.
- ALL PARTS ARE cULus LISTED FOR UL 467 FOR GROUNDING APPLICATIONS AND ARE SUITABLE FOR DIRECT BURIAL IN EARTH OR CONCRETE.
- ALL PARTS ARE cULus LISTED FOR UL 486A/B POWER CONNECTOR APPLICATIONS. (NOTE: WIRE-TO-WIRE COMBINATIONS ONLY)
- PRE-APPLIED ANTIOXIDANT COMPOUND ENSURES A HIGH QUALITY MECHANICAL AND ELECTRICAL BOND, SPEEDING INSTALLATION.
- *WHEN USING 6 SOL IN FIG6-2-2 TAP PORT, FOLD CONDUCTOR OVER DOUBLE TO IMPROVE FILL. THIS IS REQUIRED WHEN CRIMPING WITH COMPETITOR DIES, BUT NOT REQUIRED FOR PANDUIT PG10 DIE.



REV	DATE	BY	CHK	APR	DESCRIPTION	ECN
05	1/19	DAOS	JHNU	RGB	REVISED METRIC WIRE RANGE	
04	12/18	DAOS	JHNU	RGB	REVISED NOTE 5: FOLDING CONDUCTOR OVER DOUBLE FOR FIG6-2-2 IS NOT REQUIRED FOR PANDUIT PG10 DIE. ROD TYPES ADDED TO TABLE	
03	9/18	DAOS	JHNU	RGB	ADDED NOTE 5 TO FOLD 6 SOL CONDUCTOR OVER DOUBLE FOR FIG6-2-2 CONNECTOR	
02	8/18	DAOS	JHNU	RGB	MAIN WIRE RANGE REVISED FOR FIG6-250-250	
00	7/18	DAOS	JHNU	RGB	DRAWING RELEASED	

TITLE		FIGURE 6 SERIES COPPER COMPRESSION GROUNDING TAP CONNECTORS	
ITEM REVISION NAME		00195EBB/05	
DATASET FILE NAME		00195EBB-DC/05.SLDDRW	
UNLESS OTHERWISE SPECIFIED, DIMENSIONAL TOLERANCES ARE: IN [mm]		.X ± .XXX ± .XX ± ANGLES ±	
THIRD ANGLE PROJECTION		DRAWING NUMBER 00195EBB-DC	
DRAWN BY	DATE	CHK	SCALE
DAOS	7/5/18	JHNU	N/A
SHEET 1 OF 1		SIZE C	

X-ON Electronics

Largest Supplier of Electrical and Electronic Components

Click to view similar products for [Terminals](#) category:

Click to view products by [Panduit](#) manufacturer:

Other Similar products are found below :

[00-054007-01074-6](#) [00-054007-70206-1](#) [00-054007-70210-8](#) [00-054007-70217-7](#) [00-054007-70226-9](#) [00-054007-70228-3](#) [00-054007-70248-1](#) [00-054007-70256-6](#) [00-054007-70301-3](#) [00-054007-70316-7](#) [0-0320562-0](#) [00-054007-49560-4](#) [00-054007-70209-2](#) [00-054007-70225-2](#) [00-054007-70227-6](#) [00-054007-70231-3](#) [00-054007-70241-2](#) [00-054007-70242-9](#) [00-054007-70244-3](#) [00-054007-70246-7](#) [00-054007-70263-4](#) [00-054007-70288-7](#) [00-054007-70290-0](#) [00-054007-70300-6](#) [00-054007-70304-4](#) [01-2065-1-0216](#) [01-2900-1-04412](#) [00581P0075](#) [600TS-10](#) [60205-1](#) [604200-1](#) [605601-1](#) [60598-1-CUT-TAPE](#) [61314-6-C](#) [61810-3](#) [61-S](#) [61-SN](#) [626-0194](#) [62-NBM-A](#) [62-SN](#) [62-SP](#) [63-S](#) [640179-1](#) [M55155/059I03](#) [M55155/079C01](#) [M55155/099H02](#) [M55155/109H01](#) [M55155/109H02](#) [M55155/12XH05](#) [M55155/16XH02](#)