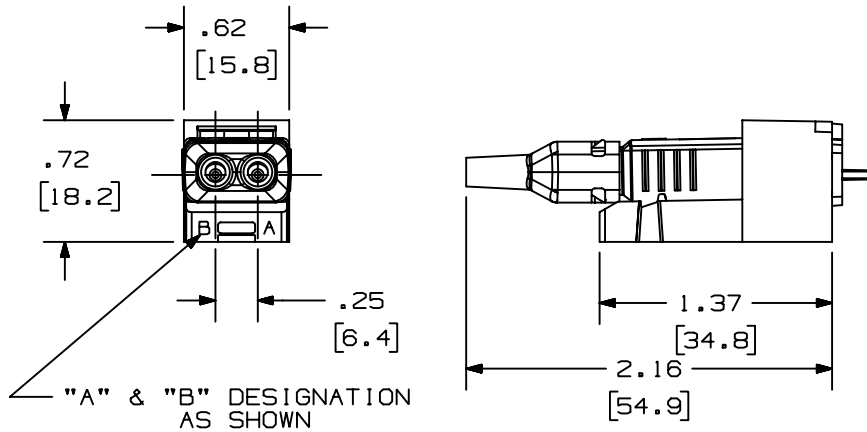


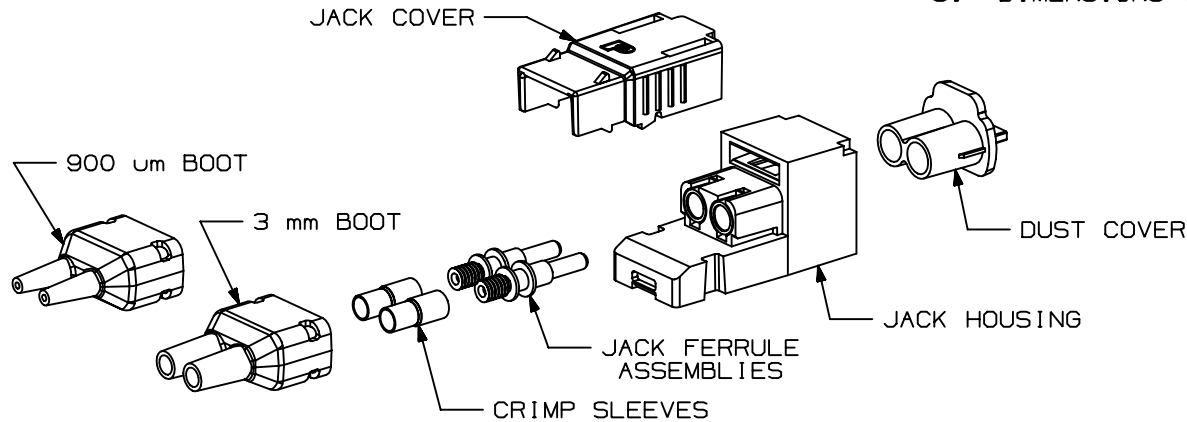
THIS COPY IS PROVIDED ON A RESTRICTED BASIS AND IS NOT TO BE USED IN ANY WAY DETRIMENTAL TO THE INTERESTS OF PANDUIT CORP.



PANDUIT P/N	WEIGHT	FERRULE TYPE
FJJGM5C**	.294 LB/10 PCS. (134.0 G/10 PCS.)	ZIRCONIA (CERAMIC)

NOTES:

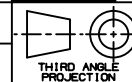
- SEE CURRENT CATALOG FOR ADDITIONAL PART NUMBER SUFFIXES TO INDICATE COLOR AND OR PACKAGE QUANTITY.
- OPTI-JACK ACCEPTS HIGH PERFORMANCE 50/125 OR 62.5/125 μ m MULTIMODE GLASS OPTICAL FIBER CABLE.
- THE MAXIMUM INSERTION LOSS PER CONNECTOR IS .75 dB. OPERATING TEMPERATURE RANGE IS FROM -40° TO +70°C.
- FULLY COMPLIES WITH THE FIBER OPTIC CONNECTOR PERFORMANCE REQUIREMENTS AS SPECIFIED IN TIA/EIA-568-A.
- DIMENSIONS IN PARENTHESSES ARE IN METRIC.



FIBER-OPTIC CONNECTOR-DUPLEX JACK
CUSTOMER DRAWING



PANDUIT™
CORP.
TINLEY PARK, ILL 60477



ALL DIMENSIONS ARE GIVEN IN INCHES UNLESS OTHERWISE SPECIFIED.
DIMENSIONAL TOLERANCES ARE:
(.X) \pm .2 (5.0) (.XXX) \pm .010 (0.3)
(.XX) \pm .02 (0.5) ANGLES \pm 1°

DRAWING FILENAME
D35560DR_DC_FJJGM_01D.prt

SCALE
NONE

DRAWN BY
TPC

REVIEW DRAWING NUMBERS

PART NO.
FJJGM5C**

REV	DATE	BY	CHK	DESCRIPTION	ECN	R	CUST	SUP	OTH
4	05-11-05	MYW		RELEASED TO PRODUCTION	35560-69				

DATE
12-31-96
CHK'D
CEF

SEE NOTES

DRAWING NO.
35560-69
SIZE
A

X-ON Electronics

Largest Supplier of Electrical and Electronic Components

Click to view similar products for [Fiber Optic Connectors](#) category:

Click to view products by [Panduit](#) manufacturer:

Other Similar products are found below :

[0004700001](#) [6100-R](#) [6313](#) [F709034706](#) [F709722200](#) [F718183204](#) [F727403500](#) [F727752800](#) [FCXO-12-3BY](#) [FO-SCREW\(M2X6\)](#) [9440F20-27S-190](#) [944-120-6001](#) [944-125-6003](#) [9441F10SL-3S](#) [9446F10SL-4S](#) [953-101-5310-P](#) [954-101-57202B](#) [A0270169](#) [12-9122](#) [12-5702](#) [143025NC](#) [AX101713](#) [AX102420](#) [AX103923](#) [AX104141](#) [AX104193](#) [AX104228](#) [AX104230](#) [AX104562](#) [AX105203-B25](#) [AX105205-S1](#) [EHSC2M](#) [17-300800](#) [181-011-126](#) [BT34IW](#) [HRFCP-HSCJ-1\(61\)](#) [HRFC-R2\(40\)](#) [NKSOPBUY](#) [20500002116](#) [2064996-1](#) [20800001065](#) [2170](#) [9132](#) [2612](#) [2620](#) [9291](#) [9440F18-19S](#) [9440F20-14P](#) [9440F20-14PW](#) [9440W18-1S](#)