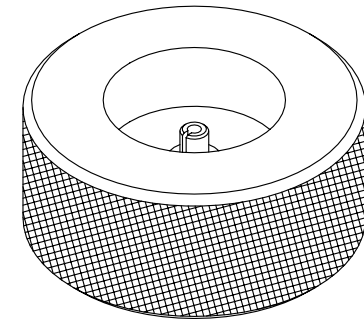
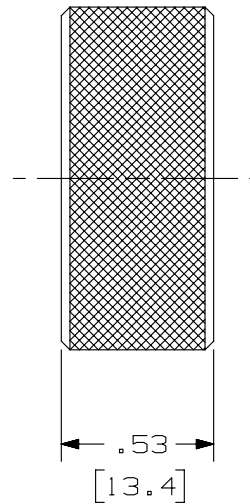
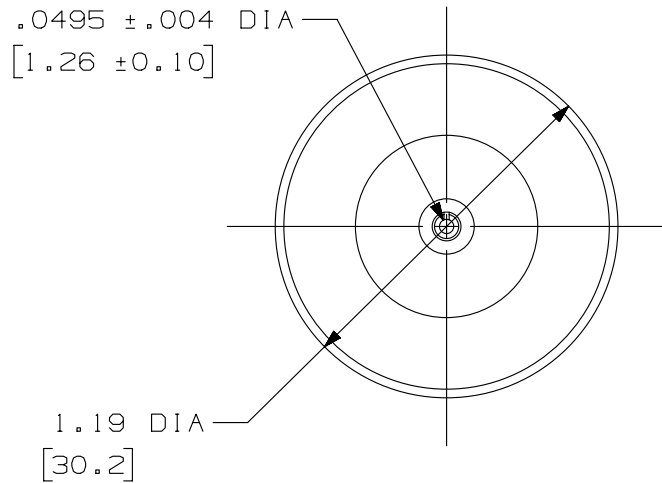


THIS COPY IS PROVIDED ON A RESTRICTED BASIS AND IS NOT TO BE USED IN ANY WAY DETRIMENTAL TO THE INTERESTS OF PANDUIT CORP.

PANDUIT PART NUMBER	WEIGHT
FLCASCP	.03 LB./EACH [13.54 GRAMS/EACH]

NOTES:

1. SEE CURRENT CATALOG FOR ADDITIONAL PART NUMBER SUFFIXES TO INDICATE PACKAGE QUANTITIES.
2. THIS ADAPTER IS USED TO INSPECT THE ENDFACE OF 1.25mm SIZE FERRULES WHEN ATTACHED TO THE PANDUIT 200x MICROSCOPE #FSCOPE.
3. ALL DIMENSIONS IN BRACKETS ARE METRIC [mm].
4. DO NOT USE THIS ADAPTER TO VIEW AN ACTIVE FIBER SIGNAL, FAILURE TO DO SO MAY RESULT IN SERIOUS EYE DAMAGE.



PART NUMBER		FLCASCP	
TITLE			
1.25mm FERRULE ADAPTER FOR		FSCOPE	
CUSTOMER DRAWING			
ITEM REVISION NAME		M01190CD/04	
DATASET FILE NAME		M01190CD_DC/00C	
UNLESS OTHERWISE SPECIFIED, DIMENSIONAL TOLERANCES ARE: IN [mm]		PANDUIT	
.x ± .xxx ± .010 [.3] .xx ± .03 [.8]			
ANGLES ±		MATERIAL:	
THIRD ANGLE PROJECTION		DRAWING NUMBER:	
01190-28		01190-28	
DRAWN BY	DATE	CHK	SCALE
EFK	07-24-03	RTF I	NONE
SHT 1 OF 1		SIZE	
A		A	

2	2/11/15	JSP	WJM	RWB	A. UPDATED DRAWING TITLE BLOCK.	01190-28
REV	DATE	BY	CHK	APR	DESCRIPTION	ECN

D10100DA/14

2

1

2

1

X-ON Electronics

Largest Supplier of Electrical and Electronic Components

Click to view similar products for [Hearing & Vision Aids](#) category:

Click to view products by [Panduit](#) manufacturer:

Other Similar products are found below :

[61432](#) [61435](#) [1225](#) [1301040058](#) [1301050019](#) [1301120070](#) [1301120085](#) [1301120177](#) [302SRL](#) [1677](#) [WT3C-20](#) [STR100](#) [61431](#) [61436](#) [AC-MAG30X](#) [1301910031](#) [1301120134](#) [1301120105](#) [1301120135](#) [1301120111](#) [1301120073](#) [1301120072](#) [1301040057](#) [1301040056](#)
[1301040054](#) [WT6C-25](#) [1049](#) [H6A/V](#) [F780233000](#) [SCH-A08975](#) [1083-3HON](#) [323526](#) [1301120132](#) [1301120133](#) [26535](#) [26536](#) [26800B-355](#)
[ECC90740EU](#) [MA-1003MG](#) [1PK-390G](#) [MA-1215-BULB](#) [SPD026587](#) [SPD026588](#) [M12102](#) [1301040055](#) [1301080179](#) [38-1025-12](#) [812.01](#)
[SL-04](#) [SL-50](#)