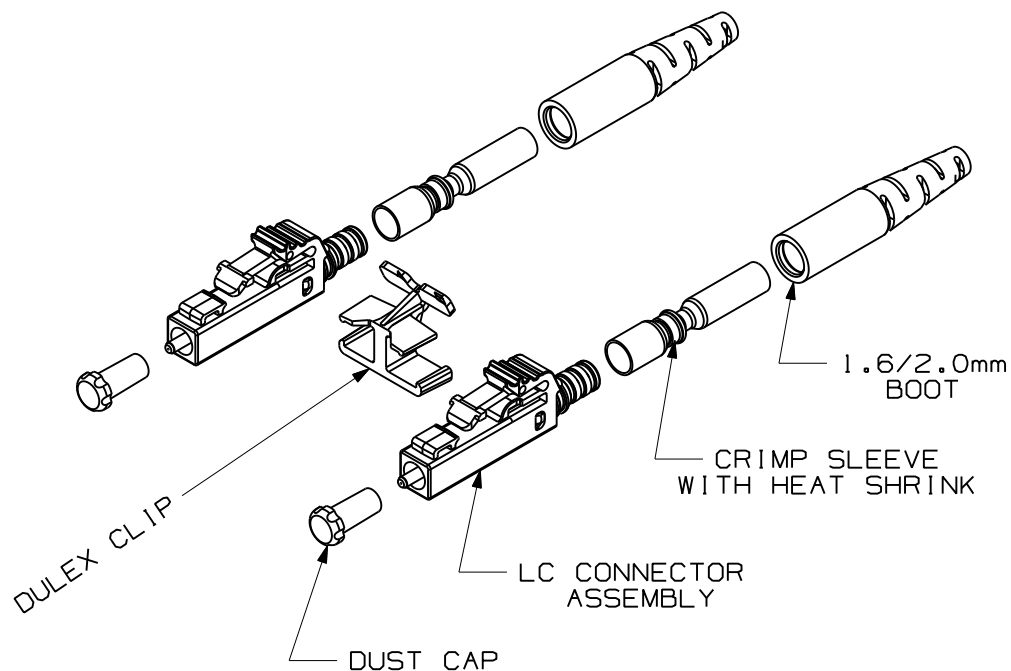


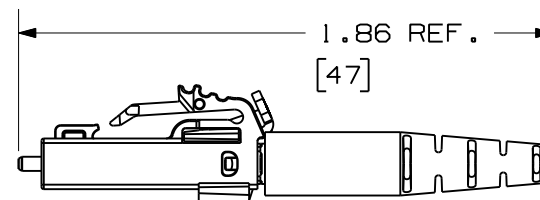
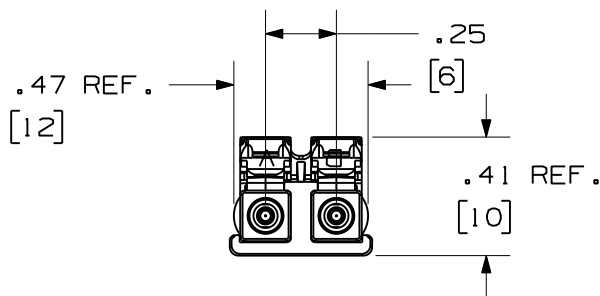
THIS COPY IS PROVIDED ON A RESTRICTED BASIS AND IS NOT TO BE USED IN ANY WAY DETRIMENTAL TO THE INTERESTS OF PANDUIT CORP.



PANDUIT PART NUMBER	TYPE	FOR USE WITH
FLCDSBUY	SINGLEMODE	9/125um FIBER
FLCDMBLY	MULTIMODE	50/125um FIBER
FLCDMEIY	MULTIMODE	62.5/125um FIBER

NOTES:

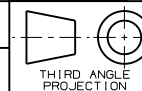
- SEE CATALOG FOR ADDITIONAL PART NUMBER SUFFIXES TO INDICATE COLOR AND/OR PACKAGE QUANTITY.
- ACCEPTS 1.6/2.0mm, 9/125um SINGLEMODE, 50/125um MULTIMODE OR 62.5/125um MULTIMODE GLASS OPTICAL FIBER.
- FULLY COMPLIES WITH THE FIBER OPTIC CONNECTOR PERFORMANCE REQUIREMENTS AS SPECIFIED BY TIA/EIA-568-B.3.
- MATERIAL:  
 BODY/HARDWARE: PLASTIC  
 BOOT: THERMOPLASTIC RUBBER  
 FERRULE: ZIRCONIA CERAMIC
- DIMENSIONS IN BRACKETS ARE METRIC [mm].
- WEIGHT PER 10 PIECES, .069 lb [16.7g]



FIBER OPTIC SINGLEMODE/MULTIMODE  
 DUPLEX LC CONNECTOR  
 CUSTOMER DRAWING



**PANDUIT**™  
 CORP.  
 TINLEY PARK, ILL 60477



ALL DIMENSIONS ARE GIVEN IN INCHES  
 UNLESS OTHERWISE SPECIFIED.  
 DIMENSIONAL TOLERANCES ARE:  
 (.X) ±.010 (0.3)  
 (.XX) ±.03 (0.8) ANGLES

DRAWING FILENAME  
 M01371AA\_DC-Y/08A

SCALE  
 NONE

DRAWN BY  
 MC

REVIEW DRAWING NUMBERS

PART NO. FLCDSBUY  
 FLCDMBLY/FLCDMEIY

DATE  
 03-07-07

DRAWING NO.  
 01371-48

CHK'D  
 JDK

SIZE  
 A

REV	DATE	BY	CHK	DESCRIPTION	ECN	R	CUST	SUP	OTH
2	09-01-11	MC	MTV	RELEASED TO PRODUCTION	01371-48	MTV	RWB		

## X-ON Electronics

Largest Supplier of Electrical and Electronic Components

*Click to view similar products for [Fibre Optic Connectors](#) category:*

*Click to view products by [Panduit](#) manufacturer:*

Other Similar products are found below :

[0004700001](#) [6100-R](#) [6313](#) [F709722200](#) [F709730000](#) [F718183204](#) [F727403500](#) [F727752800](#) [8119](#) [9440F20-27S-190](#) [944-120-6001](#)  
[9441F10SL-3S](#) [9444W28-21S](#) [9444W36-10S](#) [9446F10SL-4S](#) [9446W20-16S](#) [953-101-5310-P](#) [954-101-57202B](#) [A0270169](#) [12-9122](#) [12-5702](#)  
[AX101713](#) [AX102420](#) [AX103923](#) [AX104024](#) [AX104193](#) [AX104230](#) [AX104562](#) [AX105203-B25](#) [AX105205-S1](#) [EHSC2M](#) [17-300800](#)  
[181-011-126](#) [181-011-S](#) [181-057-126](#) [HRFC-R2\(40\)](#) [NKSOPBUY](#) [20500002116](#) [2064996-1](#) [20800001065](#) [2170](#) [9132](#) [2612](#) [2620](#) [9291](#)  
[9440F16-10S](#) [9440F20-18S](#) [9446F16-10S-190](#) [953-106-50231](#) [953-120-5003](#)