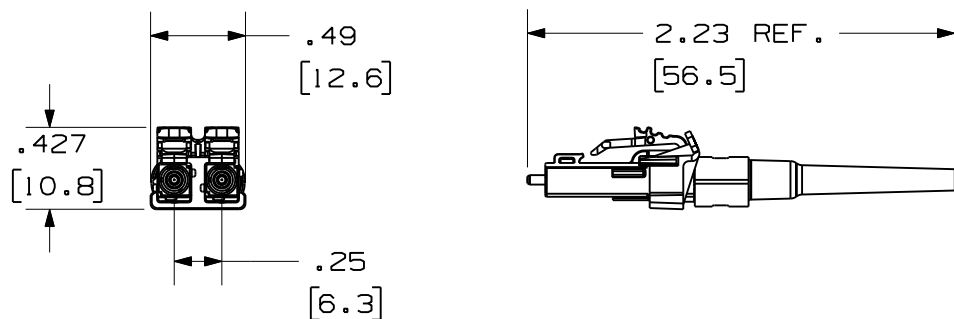


THIS COPY IS PROVIDED ON A RESTRICTED BASIS AND IS NOT TO BE USED IN ANY WAY DETRIMENTAL TO THE INTERESTS OF PANDUIT CORP.

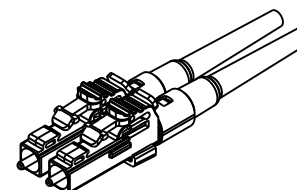
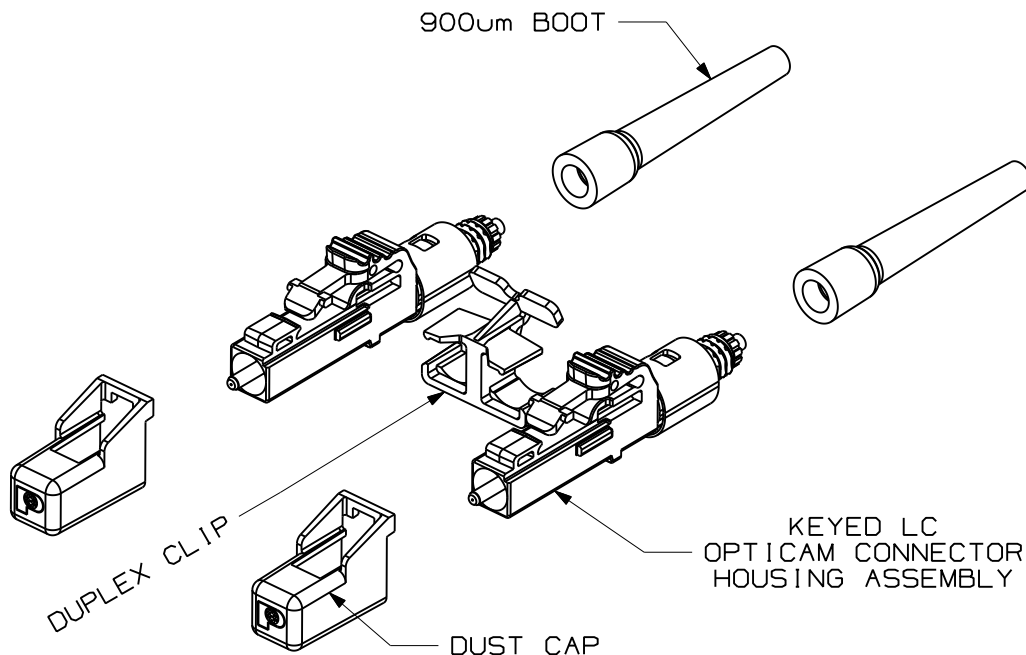


PANDUIT PART NUMBER	FIBER TYPE
FLCDMC5*1**2	50/125um MULTIMODE
FLCDMC6*1**2	62.5/125um MULTIMODE
FLCDMCX*1**2	50/125um OM3 MULTIMODE
FLCDSC*1**2	9/125um SINGLEMODE

*1 ALPHA KEY DESIGNATOR (SEE TABLE 2, SHEET 2)
 **2 KEY COLOR DESIGNATOR (SEE TABLE 2, SHEET 2)

NOTES:

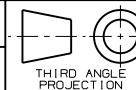
- SEE CATALOG FOR ADDITIONAL PART NUMBER SUFFIXES TO INDICATE COLOR AND/OR PACKAGE QUANTITY.
- ACCEPTS 50/125um, 62.5/125um, 50/125 OM3 MULTIMODE OR 9/125um SINGLEMODE 900um BUFFERED GLASS OPTICAL FIBER.
- FULLY COMPLIES WITH THE FIBER OPTIC CONNECTOR PERFORMANCE REQUIREMENTS AS SPECIFIED BY TIA/EIA-568-B.3.
- MATERIAL:
 BODY/HARDWARE: PLASTIC
 BOOT: THERMOPLASTIC RUBBER
 FERRULE: ZIRCONIA CERAMIC
- ALL MATERIALS AND COMPONENTS USED MEET THE MATERIAL RESTRICTIONS OF RoHS, (EUROPEAN DIRECTIVE 2002/95/EC ON THE RESTRICTION OF HAZARDOUS SUBSTANCES) AS PROPOSED BY THE RoHS TECHNICAL ADAPTATION COMMITTEE.
- DIMENSIONS IN BRACKETS ARE METRIC [mm].



KEYED OPTICAM DUPLEX LC CONNECTOR
 CUSTOMER DRAWING



PANDUIT™
 CORP.
 TINLEY PARK, ILL 60477



ALL DIMENSIONS ARE GIVEN IN INCHES UNLESS OTHERWISE SPECIFIED.
 DIMENSIONAL TOLERANCES ARE:
 (.X) ±.03 | (.XXX) ±.010 | (.3) ±.005
 (.XX) ±.03 | (.8) ANGLES

DRAWING FILENAME
 MO2759AB_DC_DUP_00A.prt

SCALE
 NONE

DRAWN BY
 MC

REVIEW DRAWING NUMBERS

PART NO.
 SEE SHEET 2

DATE
 12-11-07

DRAWING NO.
 02759-10
 (SHT. 1 of 2) SIZE
 A


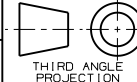
CHK'D

REV	DATE	BY	CHK	DESCRIPTION	ECN	R	CUST	SUP	OTH
R	12-11-07	MC		RELEASED TO PRODUCTION	02759-10				

THIS COPY IS PROVIDED ON A RESTRICTED BASIS AND IS NOT TO BE USED IN ANY WAY DETRIMENTAL TO THE INTERESTS OF PANDUIT CORP.

TABLE 2 - KEYED LC CONNECTOR PART NUMBER AND HOUSING KEY CONFIGURATIONS					
KEY: -A-	KEY: -B-	KEY: -C-	KEY: -D-	KEY: -E-	KEY: -F-
MULTIMODE CONNECTOR P/N: FLCDMC*ABL	MULTIMODE CONNECTOR P/N: FLCDMC*BRD	MULTIMODE CONNECTOR P/N: FLCDMC*CGR	MULTIMODE CONNECTOR P/N: FLCDMC*DYL	MULTIMODE CONNECTOR P/N: FLCDMC*EOR	MULTIMODE CONNECTOR P/N: FLCDMC*FDB
SINGLEMODE CONNECTOR P/N: FLCDSCABL	SINGLEMODE CONNECTOR P/N: FLCDSCBRD	SINGLEMODE CONNECTOR P/N: FLCDSCCGR	SINGLEMODE CONNECTOR P/N: FLCDSCDYL	SINGLEMODE CONNECTOR P/N: FLCDSCCOR	SINGLEMODE CONNECTOR P/N: FLCDSCFDB
COLOR: BLACK	COLOR: RED	COLOR: GREEN	COLOR: YELLOW	COLOR: ORANGE	COLOR: DARK BLUE

* - DESIGNATES MULTIMODE FIBER TYPE (SEE TABLE 1, SHEET 1)

										KEYED OPTICAM DUPLEX LC CONNECTOR CUSTOMER DRAWING		
										 PANDUIT ™ CORP. TINLEY PARK, ILL 60477		
										 THIRD ANGLE PROJECTION		
										ALL DIMENSIONS ARE GIVEN IN INCHES UNLESS OTHERWISE SPECIFIED. DIMENSIONAL TOLERANCES ARE: (.X) ±.03 (.XXX) ±.010 (.3) ±.015 (.XX) ±.03 (.8) ±.015 ANGLES		
										DRAWING FILENAME MO2759AB_DC_DUP_00A.prt		
										SCALE NONE		
										PART NO. SEE TABLE 2		
										DRAWING NO. 02759-10 (SHT. 2 of 2)		
										SIZE A		
REV	DATE	BY	CHK	DESCRIPTION	ECN	R	CUST	SUP	OTH	CHK'D	DATE	12-11-07
				RELEASED TO PRODUCTION	02759-10							

X-ON Electronics

Largest Supplier of Electrical and Electronic Components

Click to view similar products for [Fibre Optic Connectors](#) category:

Click to view products by [Panduit](#) manufacturer:

Other Similar products are found below :

[0004700001](#) [6100-R](#) [6313](#) [F709034706](#) [F709722200](#) [F709730000](#) [F718183204](#) [F727403500](#) [F727752800](#) [8119](#) [9440F20-27S-190](#) [944-120-6001](#) [9441F10SL-3S](#) [9444W28-21S](#) [9444W36-10S](#) [9446F10SL-4S](#) [9446W20-16S](#) [953-101-5310-P](#) [954-101-57202B](#) [A0270169](#) [12-9122](#) [12-5702](#) [AX101713](#) [AX102420](#) [AX103923](#) [AX104024](#) [AX104193](#) [AX104230](#) [AX104562](#) [AX105203-B25](#) [AX105205-S1](#) [EHSC2M](#) [181-011-126](#) [181-011-S](#) [181-057-126](#) [HRFC-R2\(40\)](#) [NKSOPBUY](#) [20500002116](#) [2064996-1](#) [20800001065](#) [2170](#) [9132](#) [2612](#) [2620](#) [9291](#) [9440F16-10S](#) [9440F20-18S](#) [9446F16-10S-190](#) [953-106-50231](#) [953-120-5003](#)