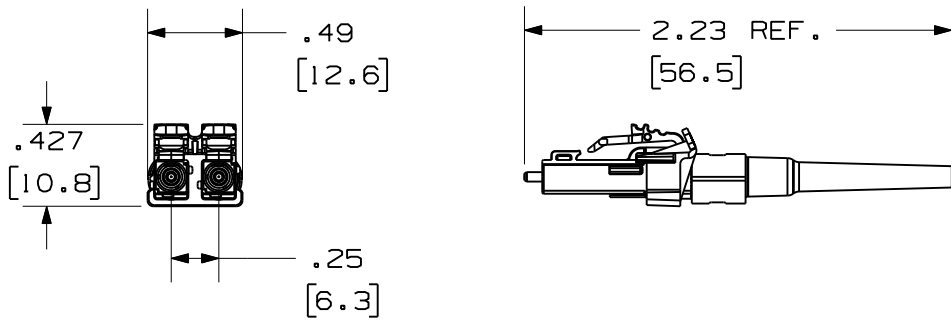


THIS COPY IS PROVIDED ON A RESTRICTED BASIS AND IS NOT TO BE USED IN ANY WAY DETRIMENTAL TO THE INTERESTS OF PANDUIT CORP.

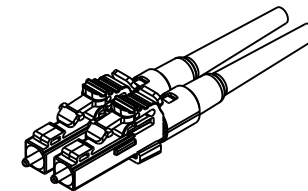
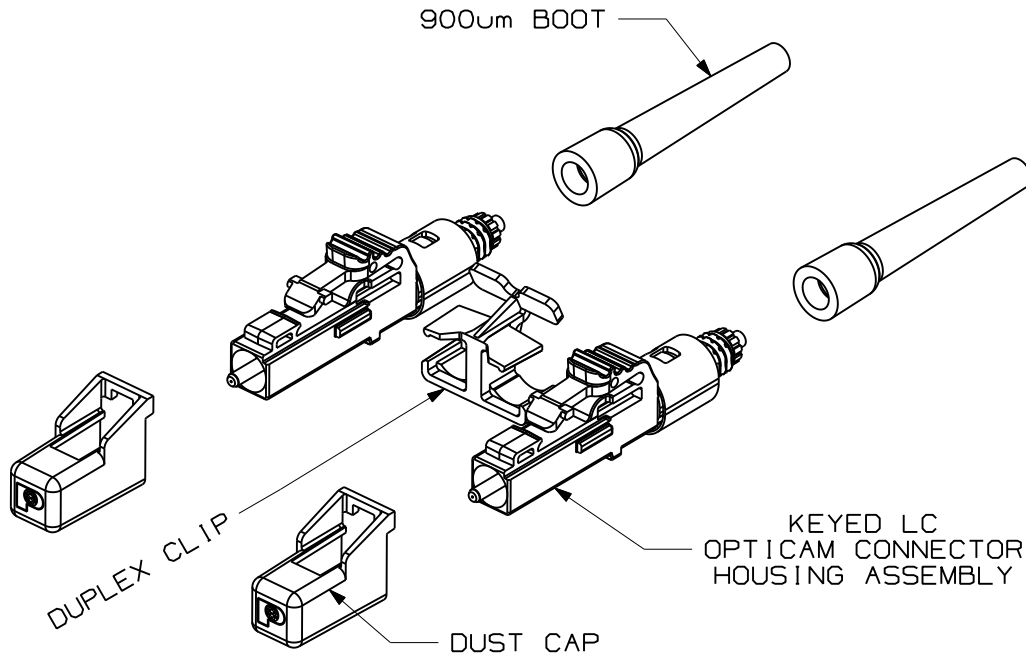


PANDUIT PART NUMBER	FIBER TYPE
FLCDMC5*1**2	50/125um MULTIMODE
FLCDMC6*1**2	62.5/125um MULTIMODE
FLCDMCX*1**2	50/125um OM3 MULTIMODE
FLCDSC*1**2	9/125um SINGLEMODE

*1 ALPHA KEY DESIGNATOR (SEE TABLE 2, SHEET 2)
 **2 KEY COLOR DESIGNATOR (SEE TABLE 2, SHEET 2)

NOTES:

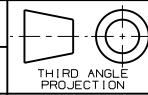
- SEE CATALOG FOR ADDITIONAL PART NUMBER SUFFIXES TO INDICATE COLOR AND/OR PACKAGE QUANTITY.
- ACCEPTS 50/125um, 62.5/125um, 50/125 OM3 MULTIMODE OR 9/125um SINGLEMODE 900um BUFFERED GLASS OPTICAL FIBER.
- FULLY COMPLIES WITH THE FIBER OPTIC CONNECTOR PERFORMANCE REQUIREMENTS AS SPECIFIED BY TIA/EIA-568-B.3.
- MATERIAL:
 BODY/HARDWARE: PLASTIC
 BOOT: THERMOPLASTIC RUBBER
 FERRULE: ZIRCONIA CERAMIC
- ALL MATERIALS AND COMPONENTS USED MEET THE MATERIAL RESTRICTIONS OF RoHS, (EUROPEAN DIRECTIVE 2002/95/EC ON THE RESTRICTION OF HAZARDOUS SUBSTANCES) AS PROPOSED BY THE RoHS TECHNICAL ADAPTATION COMMITTEE.
- DIMENSIONS IN BRACKETS ARE METRIC [mm].



KEYED OPTICAM DUPLEX LC CONNECTOR
 CUSTOMER DRAWING



PANDUIT™
 CORP.
 TINLEY PARK, ILL 60477



ALL DIMENSIONS ARE GIVEN IN INCHES UNLESS OTHERWISE SPECIFIED.
 DIMENSIONAL TOLERANCES ARE:
 (.X) ±.03 | (.XXX) ±.010 | (.3) ±.005 | ANGLES

DRAWING FILENAME: MO2759AB_DC_DUP_00A.prt
 SCALE: NONE

DRAWN BY: MC

REVIEW DRAWING NUMBERS:

PART NO.: SEE SHEET 2

REV	DATE	BY	CHK	DESCRIPTION	ECN	R	CUST	SUP	OTH
R	12-11-07	MC		RELEASED TO PRODUCTION	02759-10				

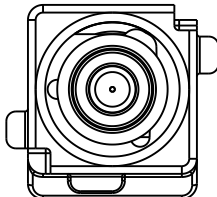
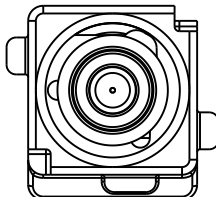
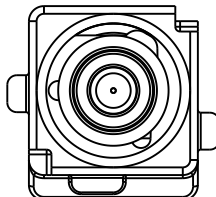
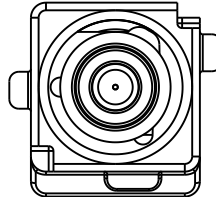
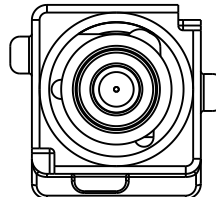
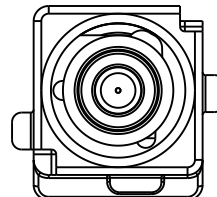
DATE: 12-11-07

CHK'D:


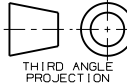
DRAWING NO.: 02759-10 (SHT. 1 of 2)

SIZE: A

THIS COPY IS PROVIDED ON A RESTRICTED BASIS AND IS NOT TO BE USED IN ANY WAY DETRIMENTAL TO THE INTERESTS OF PANDUIT CORP.

TABLE 2 - KEYED LC CONNECTOR PART NUMBER AND HOUSING KEY CONFIGURATIONS					
KEY: -A-	KEY: -B-	KEY: -C-	KEY: -D-	KEY: -E-	KEY: -F-
MULTIMODE CONNECTOR P/N: FLCDMC*ABL	MULTIMODE CONNECTOR P/N: FLCDMC*BRD	MULTIMODE CONNECTOR P/N: FLCDMC*CGR	MULTIMODE CONNECTOR P/N: FLCDMC*DYL	MULTIMODE CONNECTOR P/N: FLCDMC*EOR	MULTIMODE CONNECTOR P/N: FLCDMC*FDB
SINGLEMODE CONNECTOR P/N: FLCDSCABL	SINGLEMODE CONNECTOR P/N: FLCDSCBRD	SINGLEMODE CONNECTOR P/N: FLCDSCCGR	SINGLEMODE CONNECTOR P/N: FLCDSCDYL	SINGLEMODE CONNECTOR P/N: FLCDSCCOR	SINGLEMODE CONNECTOR P/N: FLCDSCFDB
COLOR: BLACK	COLOR: RED	COLOR: GREEN	COLOR: YELLOW	COLOR: ORANGE	COLOR: DARK BLUE
					

* - DESIGNATES MULTIMODE FIBER TYPE (SEE TABLE 1, SHEET 1)

										KEYED OPTICAM DUPLEX LC CONNECTOR CUSTOMER DRAWING		
										 PANDUIT ™ CORP. TINLEY PARK, ILL 60477		
										 THIRD ANGLE PROJECTION		
										ALL DIMENSIONS ARE GIVEN IN INCHES UNLESS OTHERWISE SPECIFIED. DIMENSIONAL TOLERANCES ARE: (.X) ±.03 (.XXX) ±.010 (.3) ±.015 (.XX) ±.03 (.8) ANGLES		
										DRAWING FILENAME MO2759AB_DC_DUP_00A.prt		
										SCALE NONE		
										PART NO. SEE TABLE 2		
R	12-11-07	MC		RELEASED TO PRODUCTION	02759-10						DRAWING NO. 02759-10 (SHT. 2 of 2)	SIZE A
REV	DATE	BY	CHK	DESCRIPTION	ECN	R	CUST	SUP	OTH	CHK'D		

X-ON Electronics

Largest Supplier of Electrical and Electronic Components

Click to view similar products for [Fibre Optic Cable Assemblies](#) category:

Click to view products by [Panduit](#) manufacturer:

Other Similar products are found below :

[7-21002-9](#) [760-1518](#) [FA04390-50-M-72-LC-N](#) [MLB 501 V RED](#) [MLB 501 V YELLOW](#) [1-3636-600-5208](#) [2061529-7](#) [1-6693182-0](#)
[1754898-1](#) [21055-6](#) [FXBSCSCE2LM002](#) [3000005](#) [3-21053-2](#) [MLB 200/1 V BLACK](#) [5492011-6](#) [106284-7000](#) [5492011-5](#) [5492011-8](#)
[5492011-9](#) [8-21007-5](#) [2123524-2](#) [2123524-1](#) [106386-4447](#) [DFSM-SCSC-2M](#) [2123909-4](#) [2123909-8](#) [106273-0629](#) [2125046-1](#) [2821236-3](#)
[2821310-2](#) [2821310-3](#) [2821313-4](#) [FX2ERLNLNSNM0.5](#) [CF-980062-074](#) [CF-901200-394](#) [CF-980062-073](#) [CF-980062-071](#) [CF-980062-075](#)
[CF-980062-072](#) [17-300310-100](#) [2821236-2](#) [2821313-1](#) [G-FC-FC-S-002.0-DX-A-18-Y](#) [G-E2A-E2A-S-003.0-SX-A-18-Y](#) [956-322-502214](#)
[FA04474](#) [1083665](#) [1111540](#) [1111843](#) [1115533](#)