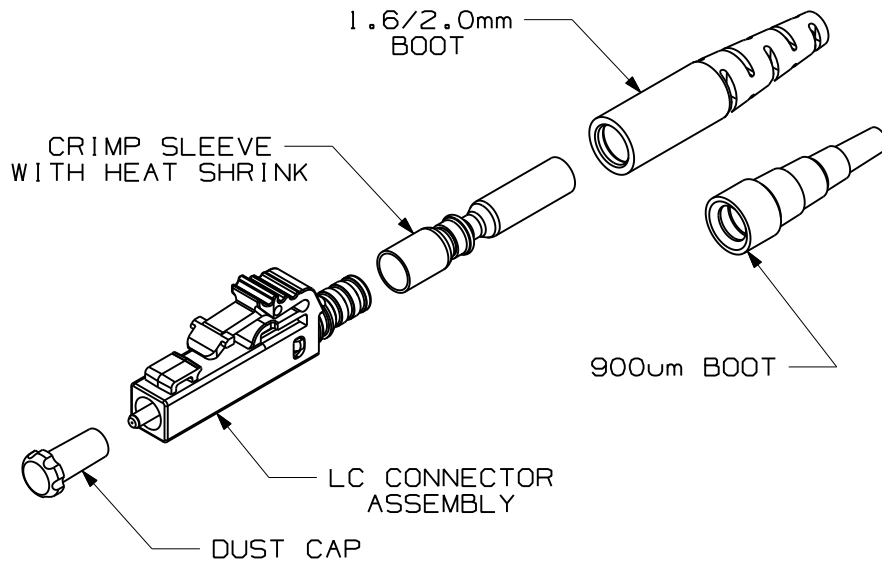


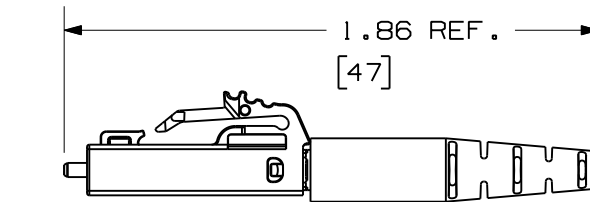
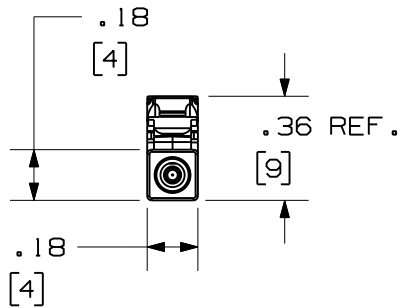
THIS COPY IS PROVIDED ON A RESTRICTED BASIS AND IS NOT TO BE USED IN ANY WAY DETRIMENTAL TO THE INTERESTS OF PANDUIT CORP.



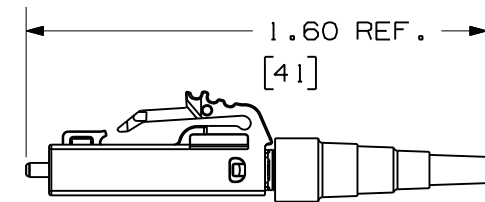
PANDUIT PART NUMBER	TYPE	FOR USE WITH
FLCSSBUY	SINGLEMODE	9/125um FIBER
FLCSMBLY	MULTIMODE	50/125um FIBER
FLCSMEIY	MULTIMODE	62.5/125um FIBER

NOTES:


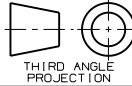
1. SEE CATALOG FOR ADDITIONAL PART NUMBER SUFFIXES TO INDICATE COLOR AND/OR PACKAGE QUANTITY.
2. ACCEPTS 1.6/2.0mm OR 900um BUFFERED, 9/125um SINGLEMODE, 50/125um MULTIMODE OR 62.5/125um MULTIMODE GLASS OPTICAL FIBER.
3. FULLY COMPLIES WITH THE FIBER OPTIC CONNECTOR PERFORMANCE REQUIREMENTS AS SPECIFIED BY TIA/EIA-568-B.3.
4. MATERIAL:  
 BODY/HARDWARE: PLASTIC  
 BOOT: THERMOPLASTIC RUBBER  
 FERRULE: ZIRCONIA CERAMIC
5. DIMENSIONS IN BRACKETS ARE METRIC [mm].
6. WEIGHT PER 10 PIECES: .037 lb [16.7g]



LC CONNECTOR WITH 1.6/2.0mm BOOT



LC CONNECTOR WITH 900um BOOT

REV	DATE	BY	CHK	DESCRIPTION	ECN	R	CUST	SUP	OTH	FIBER OPTIC SINGLEMODE/MULTIMODE SIMPLEX LC CONNECTOR CUSTOMER DRAWING		
2	09-01-11	MC	MTV	RELEASED TO PRODUCTION	01371-49	MTV	RWB			 PANDUIT™ CORP. TINLEY PARK, ILL 60477		
										 THIRD ANGLE PROJECTION	ALL DIMENSIONS ARE GIVEN IN INCHES UNLESS OTHERWISE SPECIFIED. DIMENSIONAL TOLERANCES ARE: (.X) ±.03   (.XXX) ±.010   (.3) ±.015 ANGLES	DRAWING FILENAME M01371AB_DC-Y/10A
										SCALE NONE	PART NO. FLCSSBUY FLCSMBLY/FLCSMEIY	
										DRAWING NO. 01371-49	SIZE A	
										DRAWN BY: MC DATE: 03-07-07 CHK'D: JDK	REVIEW DRAWING NUMBERS:  AS NOTED	

## X-ON Electronics

Largest Supplier of Electrical and Electronic Components

*Click to view similar products for [Fibre Optic Connectors](#) category:*

*Click to view products by [Panduit](#) manufacturer:*

Other Similar products are found below :

[0004700001](#) [6100-R](#) [6313](#) [F709722200](#) [F709730000](#) [F718183204](#) [F727403500](#) [F727752800](#) [8119](#) [9440F20-27S-190](#) [944-120-6001](#)  
[9441F10SL-3S](#) [9444W28-21S](#) [9444W36-10S](#) [9446F10SL-4S](#) [9446W20-16S](#) [953-101-5310-P](#) [954-101-57202B](#) [A0270169](#) [12-9122](#) [12-5702](#)  
[AX101713](#) [AX102420](#) [AX103923](#) [AX104024](#) [AX104193](#) [AX104230](#) [AX104562](#) [AX105203-B25](#) [AX105205-S1](#) [EHSC2M](#) [17-300800](#)  
[181-011-126](#) [181-011-S](#) [181-057-126](#) [HRFC-R2\(40\)](#) [NKSOPBUY](#) [20500002116](#) [2064996-1](#) [20800001065](#) [2170](#) [9132](#) [2612](#) [2620](#) [9291](#)  
[9440F16-10S](#) [9440F20-18S](#) [9446F16-10S-190](#) [953-106-50231](#) [953-120-5003](#)