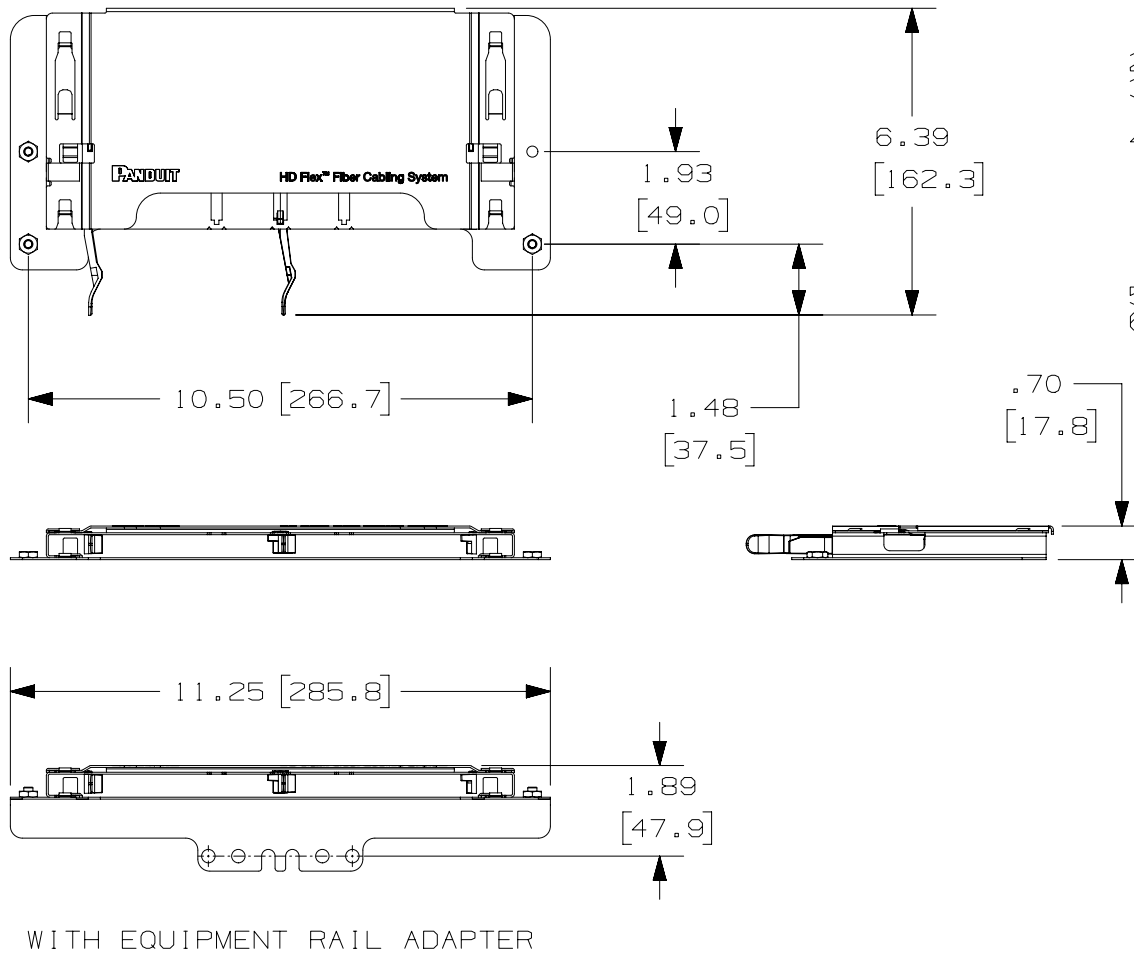
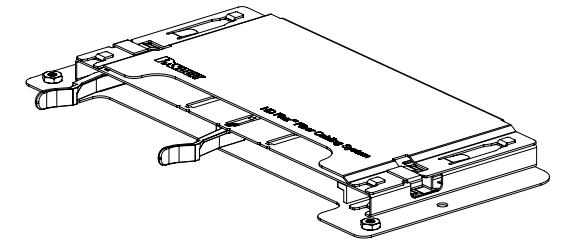


THIS COPY IS PROVIDED ON A RESTRICTED BASIS AND IS NOT TO BE USED IN ANY WAY DETRIMENTAL TO THE INTERESTS OF PANDUIT CORP.

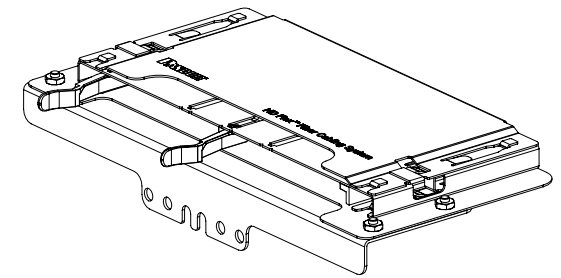


NOTES:

1. SEE CATALOG FOR COMPLETE LIST OF PARTS APPLICABLE FOR USE WITH THIS PART.
2. DIMENSIONS IN BRACKETS ARE METRIC.
3. ENCLOSURE MATERIAL: GALVANNEALED STEEL
ENCLOSURE COLOR: BLACK
4. ALL MATERIALS AND COMPONENTS USED MEET THE MATERIAL RESTRICTIONS OF RoHS (EUROPEAN DIRECTIVE 2011/65/EC ON THE RESTRICTION OF HAZARDOUS SUBSTANCES) AS PROPOSED BY THE RoHS TECHNICAL ADAPTATION COMMITTEE.
5. SEE SHEET 2 FOR CASSETTE PORT OPTIONS.
6. PART WEIGHT 2.3 lbs (1 kg)



EQUIPMENT RAIL ADAPTER REMOVED



WITH EQUIPMENT RAIL ADAPTER

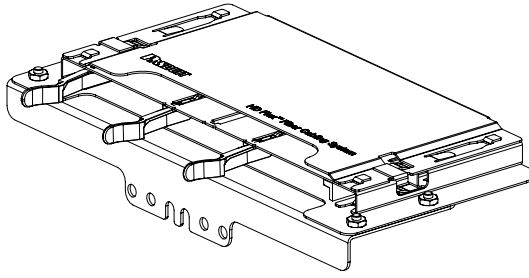
01	10-04-16	SAT	BONS	TMK	RELEASED TO PRODUCTION				15F318AJ-DC
REV	DATE	BY	CHK	APR	DESCRIPTION				ECN

TITLE HD FLEX ORU BRACKET AND CASSETTE HOLDER CUSTOMER DRAWING										
ITEM REVISION NAME 15F318AJ/02					PANDUIT					
DATASET FILE NAME 15F318AJ_DC/02A										
UNLESS OTHERWISE SPECIFIED, DIMENSIONAL TOLERANCES ARE: IN (mm) DIMENSIONS ARE FOR REFERENCE ONLY										
					PART NO: FLEX-ORUBR**					
					DRAWING NUMBER: 15F318AJ-DC					
DRAWN BY BONS	DATE 8-5-16	CHK SAT	SCALE 1:4	THIRD ANGLE PROJECTION						SHT 1 OF 2
									SIZE A	

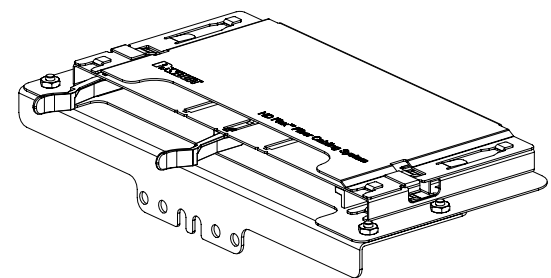
2

1

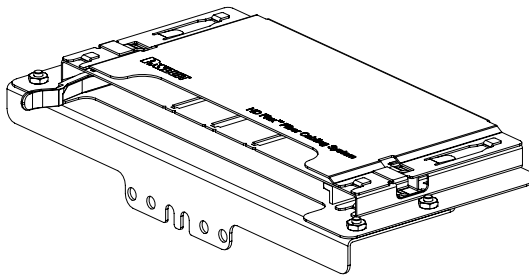
THIS COPY IS PROVIDED ON A RESTRICTED BASIS AND IS NOT TO BE USED IN ANY WAY DETRIMENTAL TO THE INTERESTS OF PANDUIT CORP.



FLEX-ORUBR04



FLEX-ORUBR06



FLEX-ORUBR12

B

B



A

A

01	10-04-16	SAT	BONS	TMK	RELEASED TO PRODUCTION	15F318AJ-DC	
REV	DATE	BY	CHK	APR	DESCRIPTION	ECN	

TITLE HD FLEX ORU BRACKET AND CASSETTE HOLDER CUSTOMER DRAWING			
ITEM REVISION NAME 15F318AJ/02		PANDUIT TM	
DATASET FILE NAME 15F318AJ_DC/02A			
UNLESS OTHERWISE SPECIFIED, DIMENSIONAL TOLERANCES ARE: IN (mm) DIMENSIONS ARE FOR REFERENCE ONLY			
DRAWN BY BONS		DATE 8-5-16	CHK SAT
SCALE 1:4		THIRD ANGLE PROJECTION	
PART NO: FLEX-ORUBR**		DRAWING NUMBER: 15F318AJ-DC	
SHT 2 OF 2		SIZE A	

2

1

X-ON Electronics

Largest Supplier of Electrical and Electronic Components

Click to view similar products for [Racks & Rack Cabinet Accessories](#) category:

Click to view products by [Panduit](#) manufacturer:

Other Similar products are found below :

[M00-PLN](#) [F2424](#) [8351-832-A-24](#) [9104](#) [9105](#) [PLFF2000](#) [H-9163-B](#) [1427C3](#) [HTS10](#) [PC-79](#) [SC10-3A](#) [SC4-28](#) [CG3-340S/12](#) [CP-001BK](#)
[M6123-4007-SS](#) [AX61400TB](#) [TS170](#) [LP40](#) [5261304-07](#) [CG3-160G](#) [7112C-PLN](#) [ALUM](#) [CM10](#) [8610-3124-S-26](#) [TS81](#) [7142](#) [GP134](#)
[M6125-4007-A-24](#) [M6127-4007-SS](#) [PBCOVER](#) [512](#) [AEG-4000G](#) [AEG-3000G](#) [HD99](#) [SR2-66A2](#) [FP10B4HP-1](#) [FP52-2](#) [1406-1006-01](#)
[29478](#) [TS2535](#) [TS169-6](#) [CAC2](#) [HA19-3U](#) [BR-19-10-1](#) [TS180](#) [CG3-ESD](#) [SC11-1](#) [CFS-1.00/2.20](#) [AX6145WM](#) [HEC0800PB](#) [ZC633R](#)