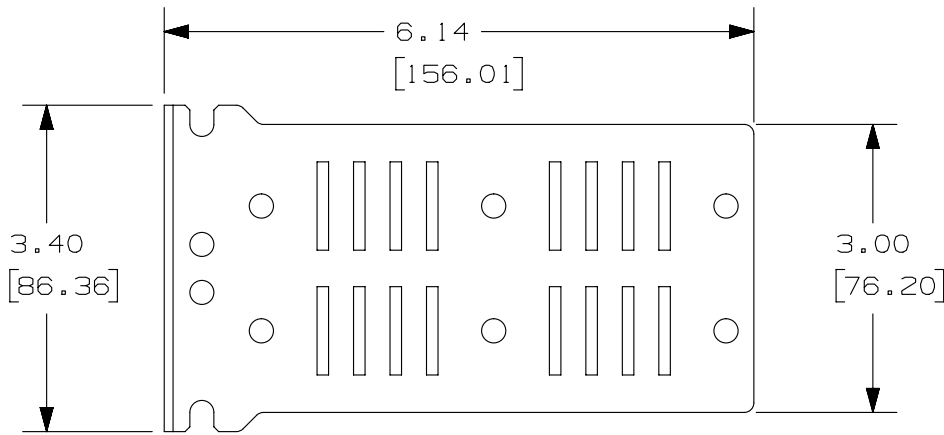


THIS COPY IS PROVIDED ON A RESTRICTED BASIS AND IS NOT TO BE USED IN ANY WAY DETRIMENTAL TO THE INTERESTS OF PANDUIT CORP.

PANDUIT PART NO.	WEIGHT
FLEX-CM12S	0.75 lbs (0.34 kg)
FLEX-CM18S	

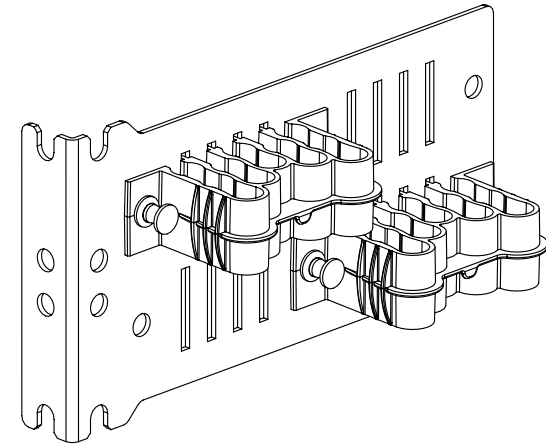
NOTES:

- SEE CATALOG FOR COMPLETE LIST OF PARTS APPLICABLE FOR USE WITH THIS PART.
- DIMENSIONS IN BRACKETS ARE METRIC.
- MATERIAL: GALVANNEALED STEEL
COLOR: BLACK
- INCLUDES 2 TRANSITION BUNDLING CLIPS.
(18 POSITION OR 12 POSITION CLIPS AVAILABLE)
- TRANSITION PANEL ATTACHES TO STANDARD EQUIPMENT MOUNTING RAILS OF RACK OR CABINET.
- MOUNTING HARDWARE INCLUDED.
- ALL MATERIALS AND COMPONENTS USED MEET THE MATERIAL RESTRICTIONS OF RoHS (EUROPEAN DIRECTIVE 2011/65/EC ON THE RESTRICTION OF HAZARDOUS SUBSTANCES) AS PROPOSED BY THE RoHS TECHNICAL ADAPTATION COMMITTEE.



FRONT VIEW

LEFT SIDE VIEW



ISO VIEW
(12 POSITION BUNDLING CLIPS SHOWN)

						TITLE						
						HD FLEX UNIVERSAL REAR CABLE MANAGER						
						CUSTOMER DRAWING						
						ITEM REVISION NAME						
						12F187JE/00						
						DATASET FILE NAME						
						12F187JE_DC/00A						
						UNLESS OTHERWISE SPECIFIED, DIMENSIONAL TOLERANCES ARE: IN (mm)		PART NO.				
						.x ± .xxx ± .010 (0.3)		SEE TABLE				
						.xx ± .03 (0.8) ANGLES ±		DRAWING NUMBER:				
						THIRD ANGLE PROJECTION		12F187JE-DC				
00	01-13-15	SAT	BSN	TMK	RELEASED TO PRODUCTION	12F187JE-DC						
REV	DATE	BY	CHK	APR	DESCRIPTION	ECN	DRAWN BY	DATE	CHK	SCALE	SHT 1 OF 1	SIZE
							SAT	01-13-15	BSN	1:2		A

X-ON Electronics

Largest Supplier of Electrical and Electronic Components

Click to view similar products for [Wire Ducting & Raceways](#) category:

Click to view products by [Panduit](#) manufacturer:

Other Similar products are found below :

[800A-LB](#) [801I-LSP](#) [802A-ECSP](#) [802I-ICSP](#) [923223-000](#) [PRAF6WH-X](#) [A0405538](#) [1301150342](#) [1301160034](#) [1301170070](#) [1301180011](#)
[1301230083](#) [1301230153](#) [1301240273](#) [1301250006](#) [1302261238](#) [1302261321](#) [1302262552](#) [1302263103](#) [1302263178](#) [1302263259](#)
[1302263816](#) [1302263860](#) [1302264375](#) [1302264390](#) [1301150343](#) [1301160030](#) [1301170050](#) [1301170051](#) [1301170061](#) [1301180013](#)
[1301230086](#) [1301230130](#) [1301240054](#) [1302260055](#) [1302260376](#) [1302261343](#) [1302261344](#) [1302262674](#) [1302263095](#) [1302263166](#)
[1302263209](#) [1302263513](#) [1302263851](#) [1302263870](#) [1302264137](#) [1302264218](#) [DD1/J](#) [AX101472](#) [AX102007](#)