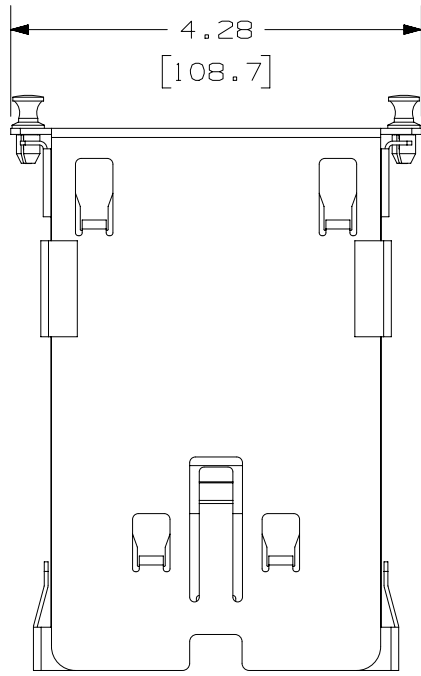
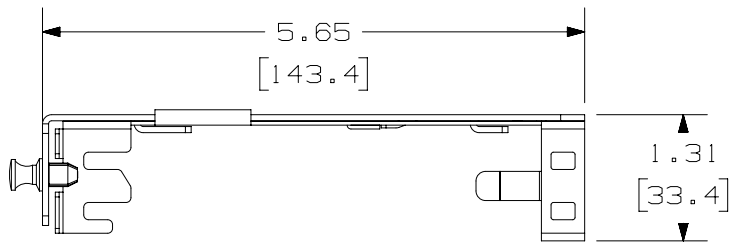


THIS COPY IS PROVIDED ON A RESTRICTED BASIS AND IS NOT TO BE USED IN ANY WAY DETRIMENTAL TO THE INTERESTS OF PANDUIT CORP.



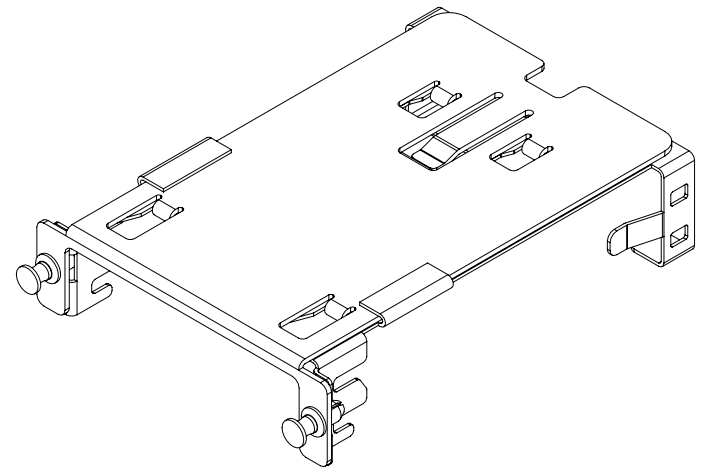
TOP VIEW



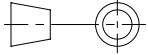
SIDE VIEW

NOTES:

1. FLEX-OPTI-1RU CAN HOLD UP TO TWO HD FLEX CASSETTES, AND CAN BE ATTACHED TO OPTICOM PATCH PANELS OR ENCLOSURES, EXCLUDING ANGLED OPTICOM PATCH PANELS AND ENCLOSURES.
2. VISIT OUR ON-LINE CATALOG AT WWW.PANDUIT.COM FOR A LIST OF CURRENT PARTS APPLICABLE FOR USE WITH THIS PRODUCT.
3. DIMENSIONS IN [] ARE METRIC.
4. ALL MATERIALS AND COMPONENTS USED MEET THE MATERIAL RESTRICTIONS OF RoHS (EUROPEAN DIRECTIVE 2011/65/EU ON THE RESTRICTION OF HAZARDOUS SUBSTANCES) AS PROPOSED BY THE RoHS TECHNICAL ADAPTATION COMMITTEE.



ISO VIEW

PART NUMBER		FLEX-OPTI-1RU		
TITLE		HD FLEX TO OPTICOM CONVERTER BRACKET - 1RU		
		CUSTOMER DRAWING		
ITEM REVISION NAME		00076EAD/00		
DATASET FILE NAME		00076EAD_DC/00A		
		THIRD ANGLE PROJECTION		
MATERIAL		20 Ga and 16 Ga Steel		
		DRAWING NUMBER		
		00076EAD-DC		
REV	DATE	BY	CHK	SCALE
00	03/20/18	SAT	BJBE	1:2
DESCRIPTION		ECN	SHEET 1 OF 1	
INITIAL RELEASE		00076EAD-DC	A	

A-SIZE CUSTOMER

X-ON Electronics

Largest Supplier of Electrical and Electronic Components

Click to view similar products for [Racks & Rack Cabinet Accessories](#) category:

Click to view products by [Panduit](#) manufacturer:

Other Similar products are found below :

[M00-PLN](#) [F2424](#) [8351-832-A-24](#) [9104](#) [9105](#) [PLFF2000](#) [H-9163-B](#) [1427C3](#) [HTS10](#) [PC-79](#) [SC10-3A](#) [SC4-28](#) [CG3-340S/12](#) [CP-001BK](#)
[M6123-4007-SS](#) [AX61400TB](#) [TS170](#) [LP40](#) [5261304-07](#) [CG3-160G](#) [7112C-PLN](#) [ALUM](#) [CM10](#) [8610-3124-S-26](#) [TS81](#) [7142](#) [GP134](#)
[M6125-4007-A-24](#) [M6127-4007-SS](#) [PBCOVER](#) [512](#) [AEG-4000G](#) [AEG-3000G](#) [HD99](#) [SR2-66A2](#) [FP10B4HP-1](#) [FP52-2](#) [1406-1006-01](#)
[29478](#) [TS2535](#) [TS169-6](#) [CAC2](#) [HA19-3U](#) [BR-19-10-1](#) [TS180](#) [CG3-ESD](#) [SC11-1](#) [CFS-1.00/2.20](#) [AX6145WM](#) [HEC0800PB](#) [ZC633R](#)