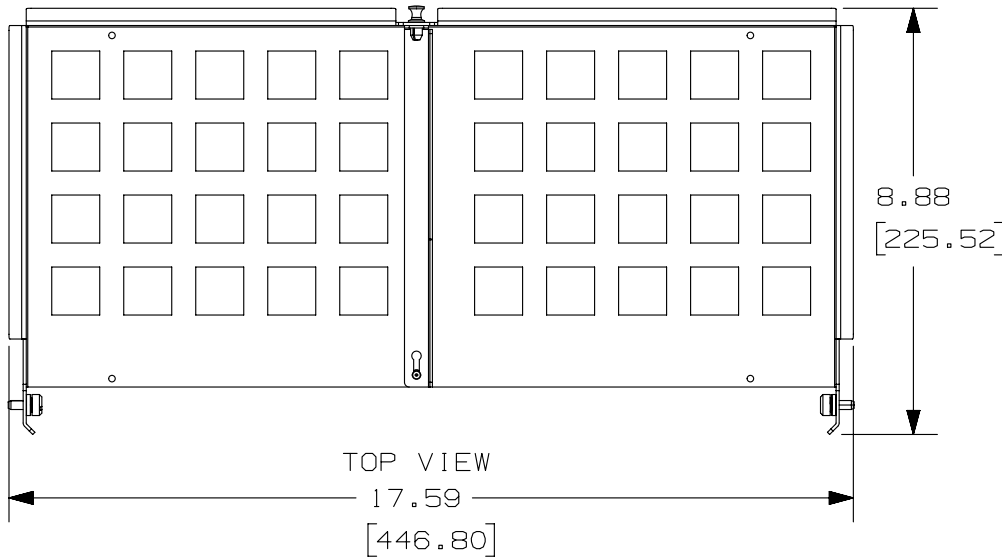
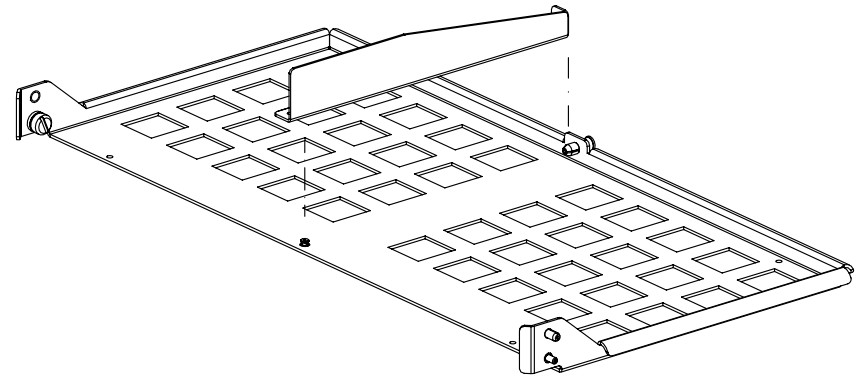
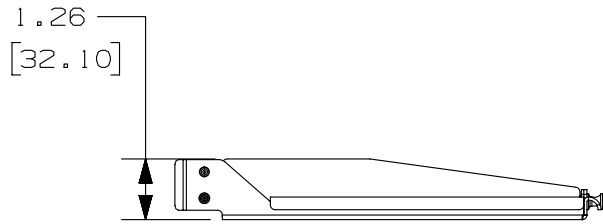


THIS COPY IS PROVIDED ON A RESTRICTED BASIS AND IS NOT TO BE USED IN ANY WAY DETRIMENTAL TO THE INTERESTS OF PANDUIT CORP.




- NOTES:
1. SEE CATALOG FOR COMPLETE LIST OF PARTS APPLICABLE FOR USE WITH THIS PART.
  2. DIMENSIONS IN BRACKETS ARE METRIC.
  3. MATERIAL: GALVANNEALED STEEL  
COLOR: BLACK  
WEIGHT: 3.55 lb (1.61 kg)
  4. INCLUDES QUICK-RELEASE DIVIDER WALL TO PREVENT FURCATION TANGLING.
  5. TOOLLESS MOUNTING TO REAR OF HD FLEX ENCLOSURE.
  6. ALL MATERIALS AND COMPONENTS USED MEET THE MATERIAL RESTRICTIONS OF RoHS (EUROPEAN DIRECTIVE 2011/65/EC ON THE RESTRICTION OF HAZARDOUS SUBSTANCES) AS PROPOSED BY THE RoHS TECHNICAL ADAPTATION COMMITTEE.



LEFT SIDE VIEW

ISO VIEW

						TITLE		HD FLEX 1RU REAR SLACK MANAGEMENT PLATE				
						CUSTOMER DRAWING						
						ITEM REVISION NAME		12F187JG/00				
						DATASET FILE NAME		12F187JG_DC/00A				
						UNLESS OTHERWISE SPECIFIED, DIMENSIONAL TOLERANCES ARE: IN [mm]						
						.X ± .XX ± .03 [0.8] .XXX ± .010 [0.3] ANGLES ±						
						THIRD ANGLE PROJECTION		PART NO. FLEX-PLATE1U				
						DRAWING NUMBER:		12F187JG-DC				
00	01-13-15	SAT	BSN	TMK	RELEASED TO PRODUCTION	12F187JG-DC						
REV	DATE	BY	CHK	APR	DESCRIPTION	ECN	DRAWN BY	DATE	CHK	SCALE	SHT 1 OF 1	SIZE
							SAT	01-13-15	BSN	1:4		A

## X-ON Electronics

Largest Supplier of Electrical and Electronic Components

*Click to view similar products for [Racks & Rack Cabinet Accessories](#) category:*

*Click to view products by [Panduit](#) manufacturer:*

Other Similar products are found below :

[M00-PLN](#) [F2424](#) [8351-832-A-24](#) [9104](#) [9105](#) [PLFF2000](#) [H-9163-B](#) [1427C3](#) [HTS10](#) [PC-79](#) [SC10-3A](#) [SC4-28](#) [CG3-340S/12](#) [CP-001BK](#)  
[M6123-4007-SS](#) [AX61400TB](#) [TS170](#) [LP40](#) [5261304-07](#) [CG3-160G](#) [7112C-PLN](#) [ALUM](#) [CM10](#) [8610-3124-S-26](#) [TS81](#) [7142](#) [GP134](#)  
[M6125-4007-A-24](#) [M6127-4007-SS](#) [PBCOVER](#) [512](#) [AEG-4000G](#) [AEG-3000G](#) [HD99](#) [SR2-66A2](#) [FP10B4HP-1](#) [FP52-2](#) [1406-1006-01](#)  
[29478](#) [TS2535](#) [TS169-6](#) [CAC2](#) [HA19-3U](#) [BR-19-10-1](#) [TS180](#) [CG3-ESD](#) [SC11-1](#) [CFS-1.00/2.20](#) [AX6145WM](#) [HEC0800PB](#) [ZC633R](#)