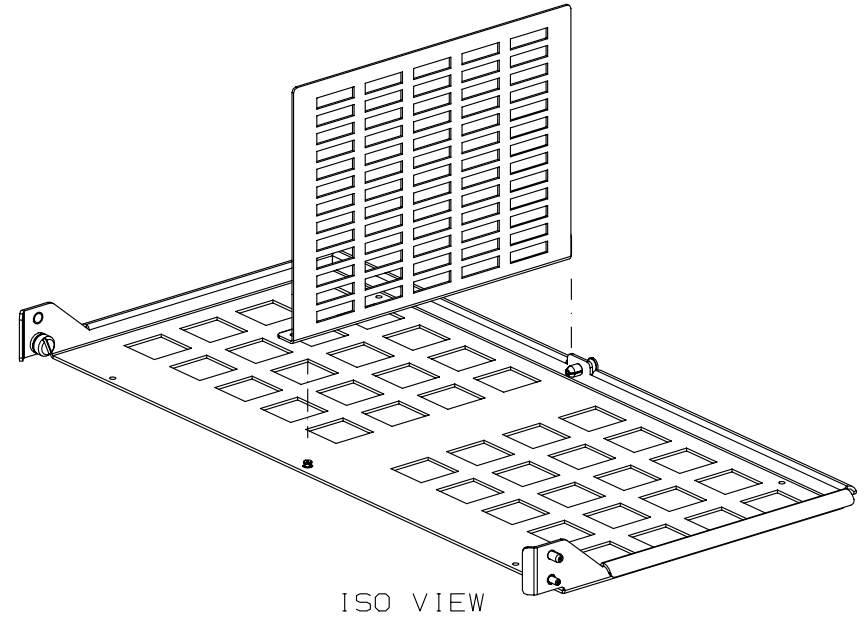
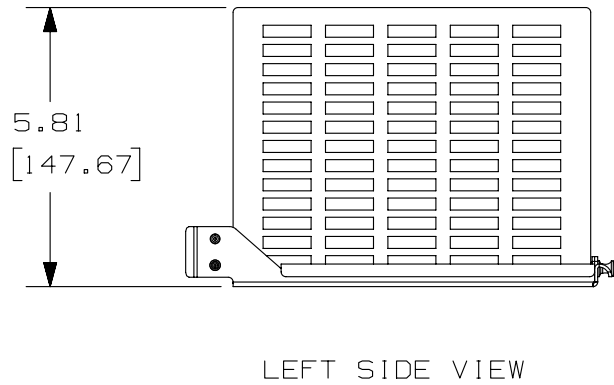
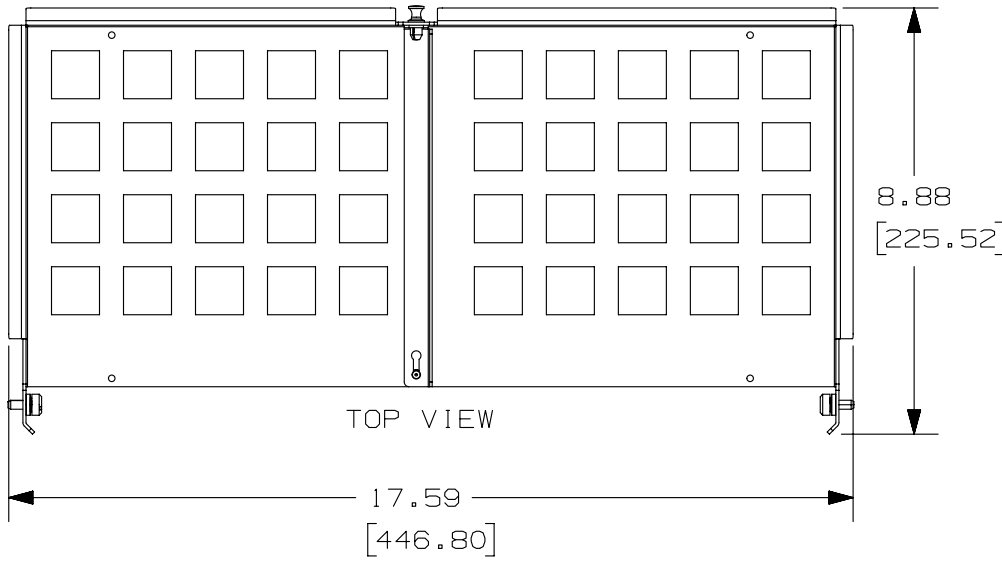



THIS COPY IS PROVIDED ON A RESTRICTED BASIS AND IS NOT TO BE USED IN ANY WAY DETRIMENTAL TO THE INTERESTS OF PANDUIT CORP.

NOTES:

1. SEE CATALOG FOR COMPLETE LIST OF PARTS APPLICABLE FOR USE WITH THIS PART.
2. DIMENSIONS IN BRACKETS ARE METRIC.
3. MATERIAL: GALVANNEALED STEEL  
COLOR: BLACK  
WEIGHT: 3.55 lb (1.61 kg)
4. INCLUDES QUICK-RELEASE DIVIDER WALL TO PREVENT FURCATION TANGLING.
5. TOOLLESS MOUNTING TO REAR OF HD FLEX ENCLOSURE.
6. ALL MATERIALS AND COMPONENTS USED MEET THE MATERIAL RESTRICTIONS OF RoHS (EUROPEAN DIRECTIVE 2011/65/EC ON THE RESTRICTION OF HAZARDOUS SUBSTANCES) AS PROPOSED BY THE RoHS TECHNICAL ADAPTATION COMMITTEE.



						TITLE		HD FLEX 4RU REAR SLACK MANAGEMENT PLATE						
						CUSTOMER DRAWING								
						ITEM REVISION NAME		12F187JH/00						
						DATASET FILE NAME		12F187JH_DC/00A						
						UNLESS OTHERWISE SPECIFIED, DIMENSIONAL TOLERANCES ARE: IN (mm)								
						.x ± .xx ± .03 (0.8) ANGLES ±						.xxx ± .010 (0.3)		
						THIRD ANGLE PROJECTION		PART NO. FLEX-PLATE4U						
						DRAWING NUMBER:		12F187JH-DC						
00	01-13-15	SAT	BSN	TMK	RELEASED TO PRODUCTION	12F187JH-DC		DRAWN BY		DATE	CHK	SCALE	SHT 1 OF 1	
REV	DATE	BY	CHK	APR	DESCRIPTION	ECN	SAT	01-13-15	SAT	1:4	SIZE		A	

## X-ON Electronics

Largest Supplier of Electrical and Electronic Components

*Click to view similar products for [Wire Ducting & Raceways](#) category:*

*Click to view products by [Panduit](#) manufacturer:*

Other Similar products are found below :

[800A-LB](#) [801I-LSP](#) [802A-ECSP](#) [802I-ICSP](#) [923223-000](#) [PRAF6WH-X](#) [A0405538](#) [1301150342](#) [1301160034](#) [1301170070](#) [1301180011](#)  
[1301230083](#) [1301230153](#) [1301240273](#) [1301250006](#) [1302261238](#) [1302261321](#) [1302262552](#) [1302263103](#) [1302263178](#) [1302263259](#)  
[1302263816](#) [1302263860](#) [1302264375](#) [1302264390](#) [1301150343](#) [1301160030](#) [1301170050](#) [1301170051](#) [1301170061](#) [1301180013](#)  
[1301230086](#) [1301230130](#) [1301240054](#) [1302260055](#) [1302260376](#) [1302261343](#) [1302261344](#) [1302262674](#) [1302263095](#) [1302263166](#)  
[1302263209](#) [1302263513](#) [1302263851](#) [1302263870](#) [1302264137](#) [1302264218](#) [DD1/J](#) [AX101472](#) [AX102007](#)