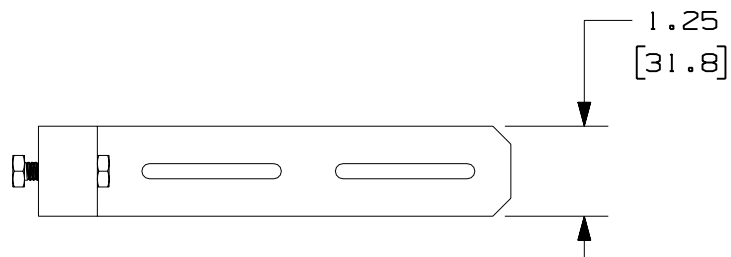


THIS COPY IS PROVIDED ON A RESTRICTED BASIS AND IS NOT TO BE USED IN ANY WAY DETRIMENTAL TO THE INTERESTS OF PANDUIT CORP.

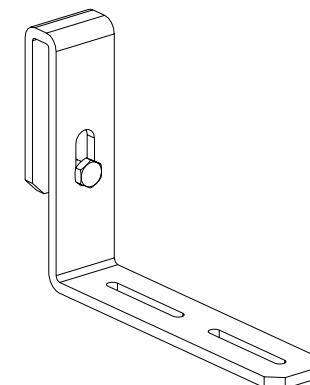
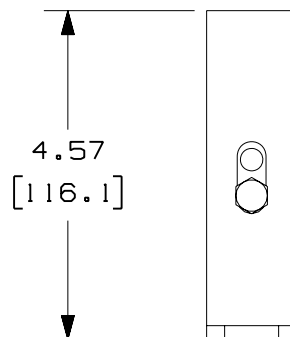
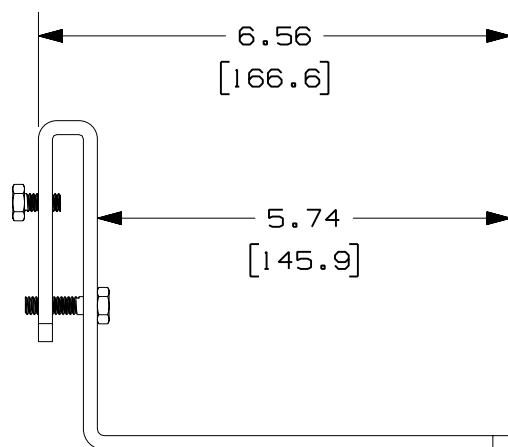


PANDUIT P/N	WEIGHT
FLRB	0.84 LB/EACH (381g/EACH)



**NOTES:**

1. SEE CURRENT CATALOG FOR ADDITIONAL PART SUFFIXES TO INDICATE PACKAGE QUANTITY.
2. THE FIBER-DUCT 2x2, 4x4 AND FIBERRUNNER 2x2 LADDER RACK BRACKET KIT ALLOWS FOR FIBER-DUCT 2x2, 4x4 AND FIBERRUNNER 2x2 TO BE MOUNTED TO THE STRINGER OF 3/8"x1 1/2" (9.5x38.1) OR 3/8"x2" (9.5x50.8) LADDER RACK.
3. THE FIBER-DUCT LADDER RACK BRACKET KIT INCLUDES: ONE (1) BRACKET ASSEMBLY, TWO (2) #10-32x1/2 PAN HEAD SLOTTED MACHINE SCREWS, TWO (2) #10-32 HEX MACHINE SCREW NUTS, TWO (2) #10 HELICAL SPRING LOCKWASHERS.
4. FINISH COLOR: YELLOW ZINC DICHROMATE (EXCEPT HARDWARE)
5. DIMENSIONS IN PARENTHESES ARE IN METRIC.



ENG. REF.: D35245BL\_DC\_FLRB\_05.prt



CAD FILENAME/LAYERS		FLRB.pdf	
<h1>PANDUIT</h1> CORP TINLEY PARK, ILLINOIS		FIBER-DUCT 2x2, 4x4 AND FIBERRUNNER 2x2 LADDER RACK BRACKET (FLRB)	
		CUSTOMER DRAWING	
UNLESS OTHERWISE SPECIFIED, DIMENSIONAL TOLERANCES ARE: (.X) ± (.XXX) ± (.XX) ± .03 (.8) ANGLES ±		UNLESS OTHERWISE SPECIFIED, ALL DIMENSIONS ARE GIVEN IN INCHES, THIRD ANGLE PROJECTION.	
DRAWN BY TPC	MAT'L: STEEL	SCALE NONE	
DATE 10-29-96	CHECK'D CEF	DRAWING NO. 35245-12	DWG A SIZE

REV	DATE	BY	CHK	DESCRIPTION	ECN	R	CUST	SUP	GMBH
5	8-2-06	DTP	RN	U. REVISED PART WEIGHT. T. REVISED DRAWING TITLE.	35245-12	RN	RN		
-	-----	---	---	S. REVISED GENERAL NOTES. R. REVISED MAT'L REFERENCE.	-----	--	--		
-	-----	---	---	Q. REV'D DIM. TOLERANCE. P. REVISED CAD FILENAME.	-----	--	--		
4	6-15-04	MSO	SMF	O. REV'D DWG. TO CUR. STAND. N. REVISED AND REDRAWN.	35245-12	RN	RN		

## X-ON Electronics

Largest Supplier of Electrical and Electronic Components

*Click to view similar products for [Racks & Rack Cabinet Accessories](#) category:*

*Click to view products by [Panduit](#) manufacturer:*

Other Similar products are found below :

[M00-PLN](#) [F2424](#) [8351-832-A-24](#) [9104](#) [9105](#) [PLFF2000](#) [H-9163-B](#) [1427C3](#) [HTS10](#) [PC-79](#) [SC10-3A](#) [SC4-28](#) [CG3-340S/12](#) [CP-001BK](#)  
[M6123-4007-SS](#) [TS170](#) [LP40](#) [5261304-07](#) [CG3-160G](#) [7112C-PLN](#) [ALUM](#) [CM10](#) [8610-3124-S-26](#) [TS81](#) [7142](#) [GP134](#) [M6125-4007-A-24](#)  
[M6127-4007-SS](#) [PBCOVER](#) [512](#) [AEG-4000G](#) [AEG-3000G](#) [HD99](#) [SR2-66A2](#) [FP10B4HP-1](#) [FP52-2](#) [1406-1006-01](#) [29478](#) [TS2535](#) [TS169-](#)  
[6](#) [CAC2](#) [HA19-3U](#) [BR-19-10-1](#) [TS180](#) [CG3-ESD](#) [SC11-1](#) [CFS-1.00/2.20](#) [AX6145WM](#) [HEC0800PB](#) [ZC633R](#) [140PLN](#)