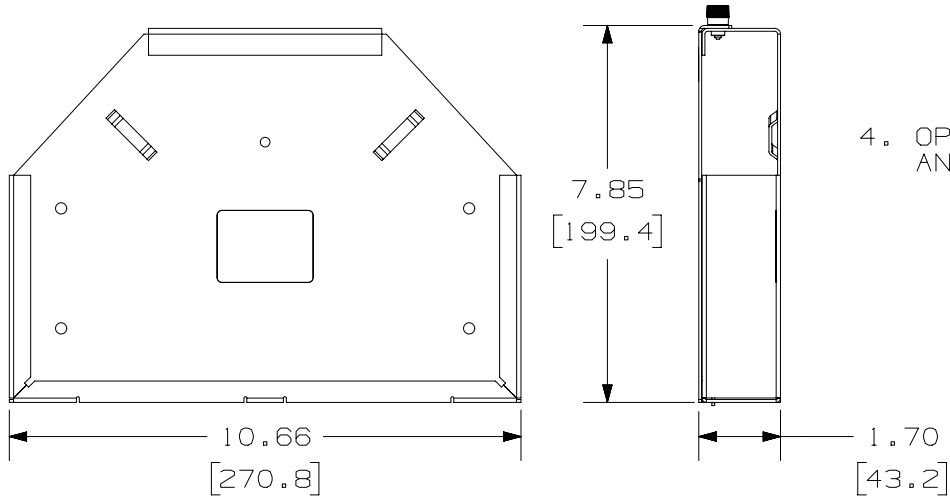


THIS COPY IS PROVIDED ON A RESTRICTED BASIS AND IS NOT TO BE USED IN ANY WAY DETRIMENTAL TO THE INTERESTS OF PANDUIT CORP.

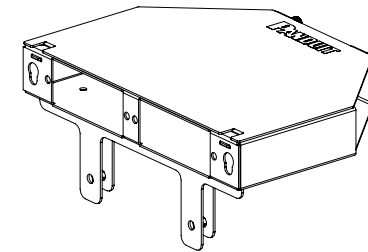
NOTES:

1. DIMENSIONS IN [] ARE METRIC.
2. ALL MATERIALS AND COMPONENTS USED MEET THE MATERIAL RESTRICTIONS OF RoHS (EUROPEAN DIRECTIVE 2011/65/EU ON THE RESTRICTION OF HAZARDOUS SUBSTANCES) AS PROPOSED BY THE RoHS TECHNICAL ADAPTATION COMMITTEE.
3. PART INCLUDES:
 - 1- ENCLOSURE BASE
 - 1- ENCLOSURE COVER
 - 1- LADDER RACK MOUNTING BRACKET
 - 1- FIELD INSTALLABLE KIT CONTAINING:
 - 4- ENCLOSURE BRACKET MOUNTING SCREWS
 - 2- LADDER RACK MOUNTING SCREWS
 - 2- D-RING
 - 1- FMSI SPOOL WITH SCREW/NUT
 - 1- 24" LENGTH OF EDGE GROMMET
4. OPTICOM FIBER CASSETTE, COPPER PANEL AND JACKS ORDERED SEPARATELY

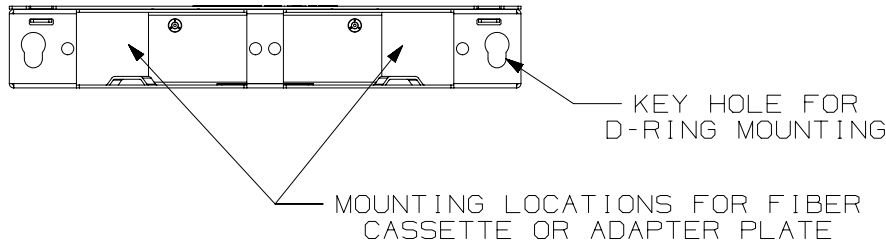
COVER REMOVED FOR CLARITY IN THIS VIEW



SCALE 1:4

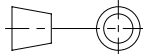


SCALE 1:6



MOUNTING LOCATIONS FOR FIBER CASSETTE OR ADAPTER PLATE

KEY HOLE FOR D-RING MOUNTING

PART NUMBER		FLRME		
TITLE		FIBER LADDER RACK MOUNT ENCLOSURE		
		CUSTOMER DRAWING		
ITEM REVISION NAME		F00902AA/00		
DATASET FILE NAME		F00902AA_DC/00A		
		THIRD ANGLE PROJECTION		
MATERIAL		ENCLOSURE: ALUMINUM MOUNTING BRKT: STEEL		DRAWING NUMBER
				F00902AA-DC
DRAWN BY	DATE	CHK	SCALE	SIZE
JSP	12/19/17	JGD	NONE	A
SHEET 1 OF 1				

00A	03-26-18	SAT	JGD	AW	INITIAL RELEASE	F00902AA-DC
REV	DATE	BY	CHK	APR	DESCRIPTION	ECN

A-SIZE CUSTOMER

X-ON Electronics

Largest Supplier of Electrical and Electronic Components

Click to view similar products for [Racks & Rack Cabinet Accessories](#) category:

Click to view products by [Panduit](#) manufacturer:

Other Similar products are found below :

[M00-PLN](#) [F2424](#) [8351-832-A-24](#) [9104](#) [9105](#) [PLFF2000](#) [H-9163-B](#) [1427C3](#) [HTS10](#) [PC-79](#) [SC10-3A](#) [SC4-28](#) [CG3-340S/12](#) [CP-001BK](#)
[M6123-4007-SS](#) [AX61400TB](#) [TS170](#) [LP40](#) [5261304-07](#) [CG3-160G](#) [7112C-PLN](#) [ALUM](#) [CM10](#) [8610-3124-S-26](#) [TS81](#) [7142](#) [GP134](#)
[M6125-4007-A-24](#) [M6127-4007-SS](#) [PBCOVER](#) [512](#) [AEG-4000G](#) [AEG-3000G](#) [HD99](#) [SR2-66A2](#) [FP10B4HP-1](#) [FP52-2](#) [1406-1006-01](#)
[29478](#) [TS2535](#) [TS169-6](#) [CAC2](#) [HA19-3U](#) [BR-19-10-1](#) [TS180](#) [CG3-ESD](#) [SC11-1](#) [CFS-1.00/2.20](#) [AX6145WM](#) [HEC0800PB](#) [ZC633R](#)