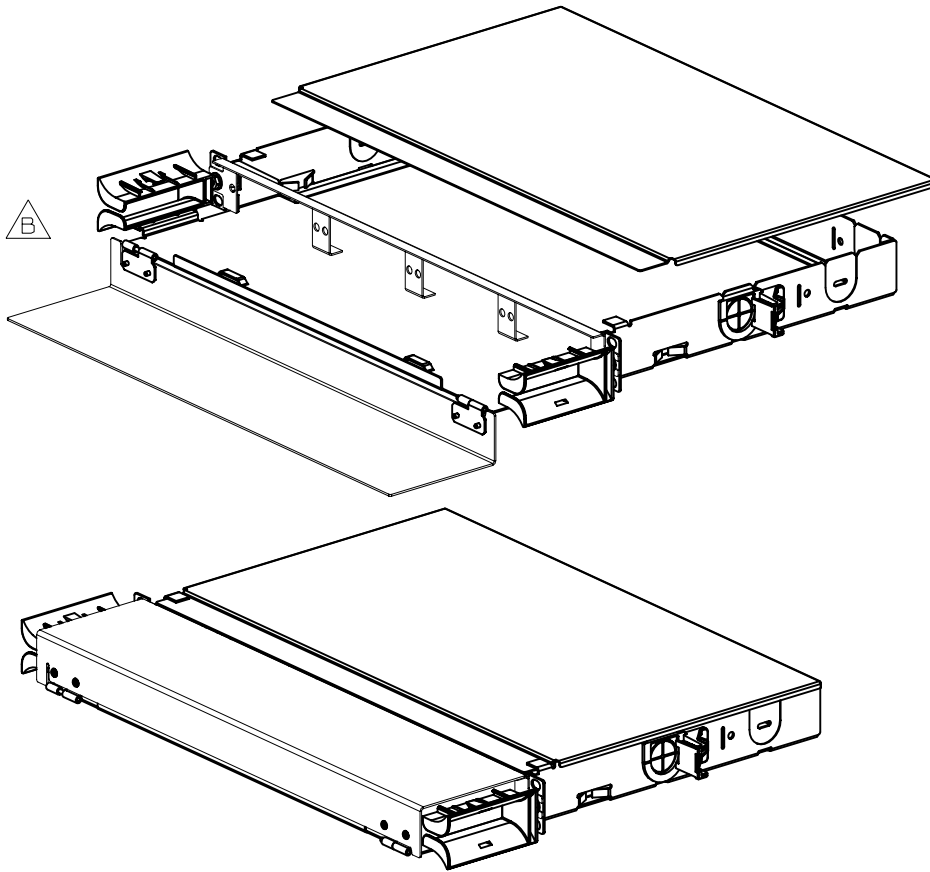


THIS COPY IS PROVIDED ON A RESTRICTED BASIS AND IS NOT TO BE USED IN ANY WAY DETRIMENTAL TO THE INTERESTS OF PANDUIT CORP.



NOTES:

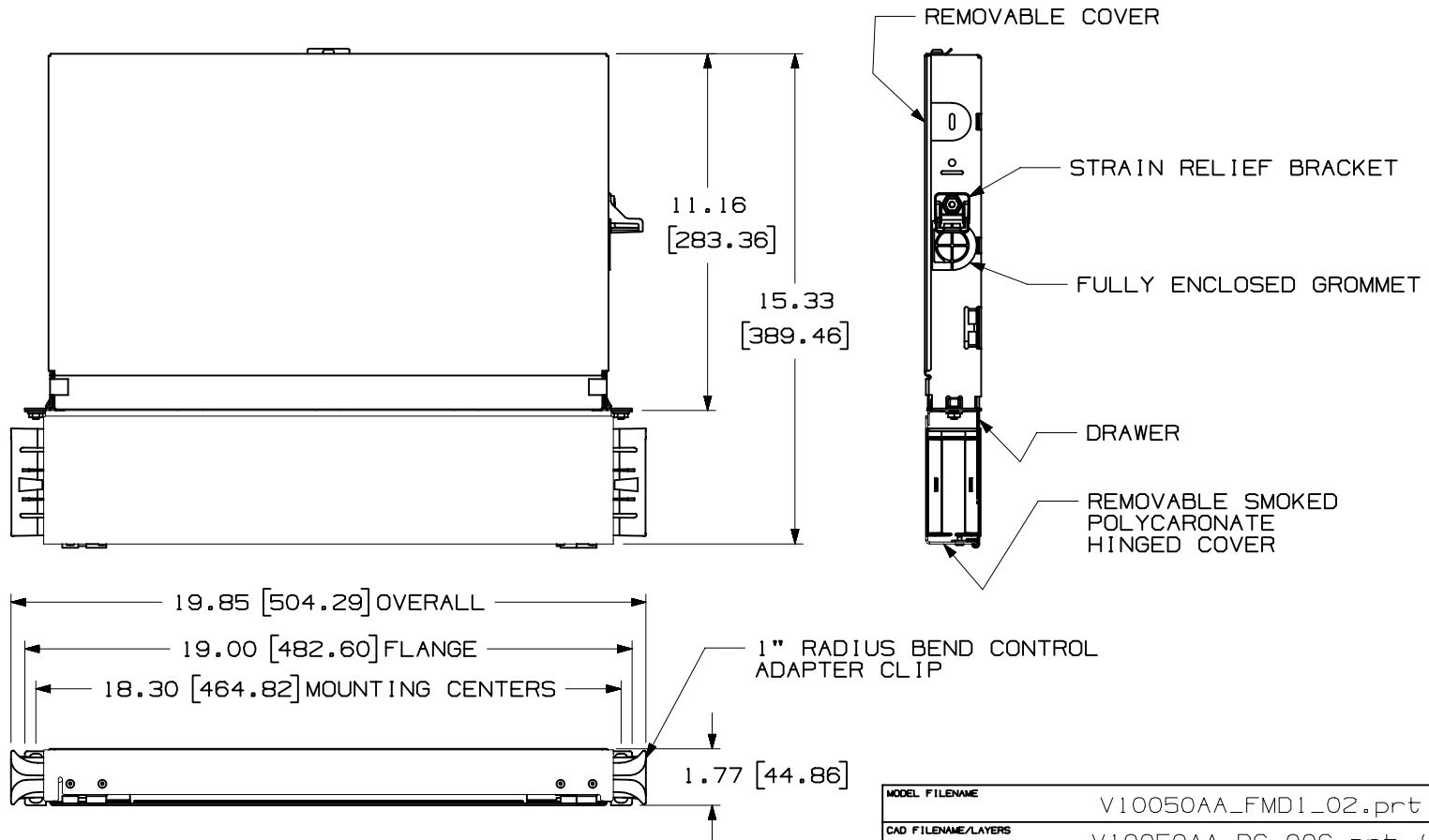
1. SEE CURRENT CATALOG FOR COMPLETE LIST OF PARTS APPLICABLE FOR USE WITH THIS PART.
2. DRAWER PROVIDES A MEANS TO MANAGE AND ORGANIZE FIBER OPTIC CABLE WHEN USING PANDUIT MODULAR PATCH PANELS.
3. MATERIAL:  
FIBER TRAY 16 GAGE(.060)(1.5) GALVANNEAL  
COVER 20 GAGE(.040)(1.0) GALVANNEAL.
4. SLIDE OUT DRAWER ACCEPTS UP TO 4 FAP\* OR FMP\* ADAPTER PLATES (OPTIONAL).
5. FIBER OPTIC TRAY/DRAWER MOUNTS ONTO EIA STANDARD 19" RACKS AND OCCUPIES ONE RACK SPACE.
6. THIS PART INCLUDES A CABLE ROUTING ACCESSORY KIT.
7. DIMENSIONS IN PARENTHESSES ARE IN METRIC.
8. FRONT DRAWER EXTENDS 5" PAST TRAY MOUNTING FLANGES.

PANDUIT PART NO.	WEIGHT
FMD1	11.00 LB/EA 5000 g/EA

MODEL FILENAME		V10050AA_FMD1_02.prt	
CAD FILENAME/LAYERS		V10050AA_DC_00C.prt (1)	
<h1>PANDUIT</h1> CORP. TINLEY PARK, ILLINOIS			
24 PORT FIBER OPTIC MULTIMEDIA DRAWER (FMD1) CUSTOMER DRAWING			
UNLESS OTHERWISE SPECIFIED, DIMENSIONAL TOLERANCES ARE:		UNLESS OTHERWISE SPECIFIED, ALL DIMENSIONS ARE GIVEN IN INCHES, THIRD ANGLE PROJECTION.	
(.X) ± .03		(.XXX) ± .005	
(.XX) ± .03		.8 ANGLES ±	
DRAWN BY	REY B	MAT'L:	SEE NOTES
DATE	2/26/02	DRAWING NO.	10050-23
CHK'D	RDC	SHEET 1 OF 2	DWG SIZE A

REV	DATE	BY	CHK	DESCRIPTION	ECN	R	CUST	SUP	OTH
2	4/15/02	RYB		B. REVISED EXPLODED VIEW	10050-23				
1	3/11/02	JDWE		A. CHANGED SHEET NUMBERS	10050-23				
R	2/26/02	RYB	RDC	RELEASED TO PRODUCTION	10050-23				

THIS COPY IS PROVIDED ON A RESTRICTED BASIS AND IS NOT TO BE USED IN ANY WAY DETRIMENTAL TO THE INTERESTS OF PANDUIT CORP.



MODEL FILENAME	V10050AA_FMD1_02.prt
CAD FILENAME/LAYERS	V10050AA_DC_00C.prt (1)

**PANDUIT** CORP. TINLEY PARK, ILLINOIS  
 24 PORT FIBER OPTIC MULTIMEDIA DRAWER (FMD1)  
 CUSTOMER DRAWING

UNLESS OTHERWISE SPECIFIED, DIMENSIONAL TOLERANCES ARE: (.X) ± .03 (.XXX) ± .005 (.XX) ± .005 (.8) ANGLES ±	UNLESS OTHERWISE SPECIFIED, ALL DIMENSIONS ARE GIVEN IN INCHES, THIRD ANGLE PROJECTION.
-------------------------------------------------------------------------------------------------------------------	-----------------------------------------------------------------------------------------

REV	DATE	BY	CHK	DESCRIPTION	ECN	R	CUST	SUP	OTH
2	4/15/02	RYB		SEE SHEET 1 OF 2 FOR REVISIONS	10050-23				
1	3/11/02	JDWE		SEE SHEET 1 OF 2 FOR REVISIONS	10050-23				
R	2/26/02	RYB	RDC	SEE SHEET 1 OF 2 FOR REVISIONS	10050-23				

DRAWN BY REY B	MAT'L:	SCALE NONE
DATE 2/26/02	SEE NOTES	DRAWING NO. 10050-23 <sup>A</sup>
CHK'D RDC		SHEET 2 OF 2
		DWG A SIZE

## X-ON Electronics

Largest Supplier of Electrical and Electronic Components

*Click to view similar products for [Wire Ducting & Raceways](#) category:*

*Click to view products by [Panduit](#) manufacturer:*

Other Similar products are found below :

[FG5EI25-A](#) [PED12](#) [PED8](#) [PEVEP](#) [FXOE3-10M3](#) [FZD3-3M2](#) [FZLE10-10M2](#) [FZOE10-10M1](#) [FZOLE10-10M2](#) [FZPE3-10M2](#) [923223-000](#)  
[PRAF6WH-X](#) [A0405538](#) [1301150342](#) [1301230083](#) [1301150343](#) [1301230086](#) [1301240054](#) [AX101472](#) [AX102652](#) [AX102653](#) [AX102737](#)  
[S62DS](#) [S65DS](#) [S75DSH](#) [A0405536](#) [A0405537](#) [A0649869](#) [FXOD3-3M1](#) [FXOE10-10M2](#) [FZLD3-3M2](#) [FZOE3-10M1](#) [FZOE3-10M2](#)  
[FZOLE3-10M2](#) [FZOPE10-10M1](#) [FZPD3-3M2](#) [PZRFE4](#) [PZWIFIEN](#) [PZWIFIENA](#) [CNPSNH](#) [CNSPC](#) [5400ES](#) [WDLT-1216-72](#) [655287-000](#)  
[S75DS](#) [1301180028](#) [801A-LSP](#) [TGECAW](#) [206461-000](#) [853425-000](#)