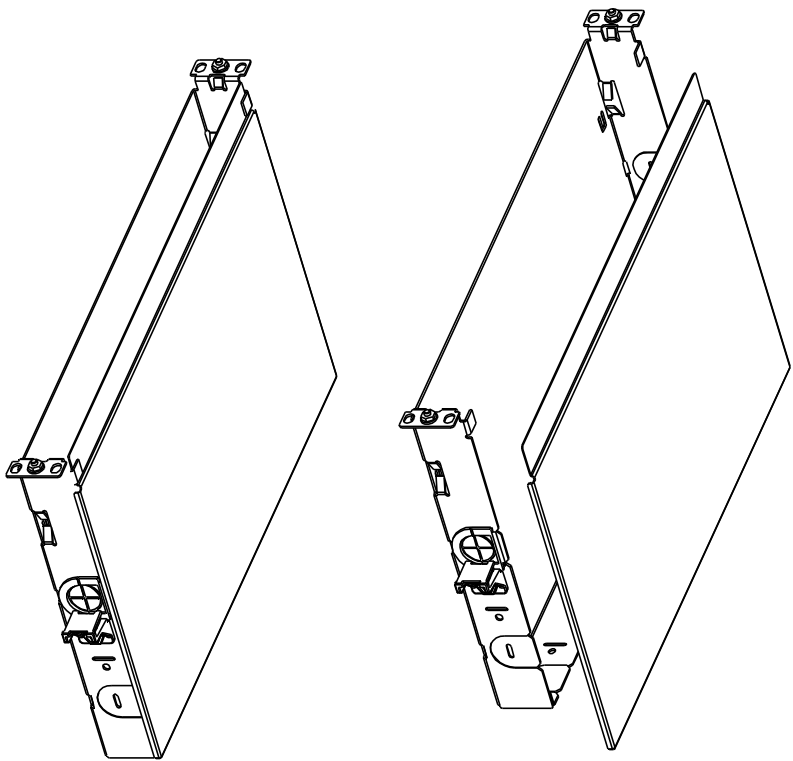


THIS COPY IS PROVIDED ON A RESTRICTED BASIS AND IS NOT TO BE USED IN ANY WAY DETRIMENTAL TO THE INTERESTS OF PANDUIT CORP.

NOTES:

1. SEE CURRENT CATALOG FOR COMPLETE LIST OF PARTS APPLICABLE FOR USE WITH THIS PART.
2. TRAY PROVIDES A MEANS TO MANAGE AND ORGANIZE FIBER OPTIC CABLE WHEN USING PANDUIT MODULAR PATCH PANELS.
3. MATERIAL:
FIBER TRAY 16 GAGE(.060)(1.5) GALVANNEAL COVER 20 GAGE(.040)(1.0) GALVANNEAL.
4. FIBER OPTIC TRAY MOUNTS BEHIND MODULAR PATCH PANELS WHICH ARE OPTIONAL.
5. FIBER OPTIC TRAY MOUNTS ONTO EIA STANDARD 19" RACKS AND OCCUPIES ONE RACK SPACE.
6. THIS PART INCLUDES A CABLE ROUTING ACCESSORY KIT.
7. DIMENSIONS IN PARENTHESES ARE IN METRIC.



PANDUIT PART NO.	WEIGHT
FMT1	6.58 LB/EA 2991 g/EA

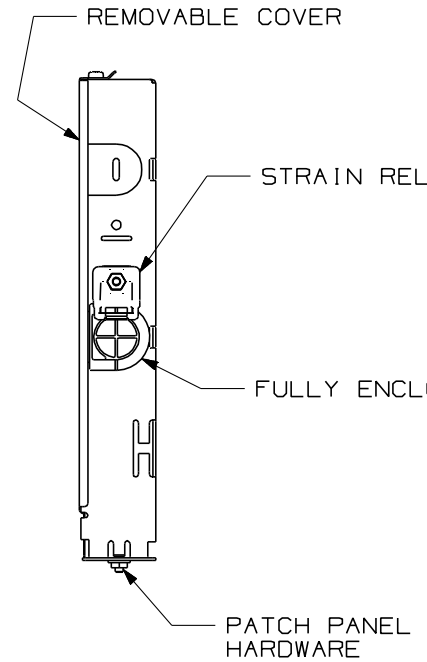
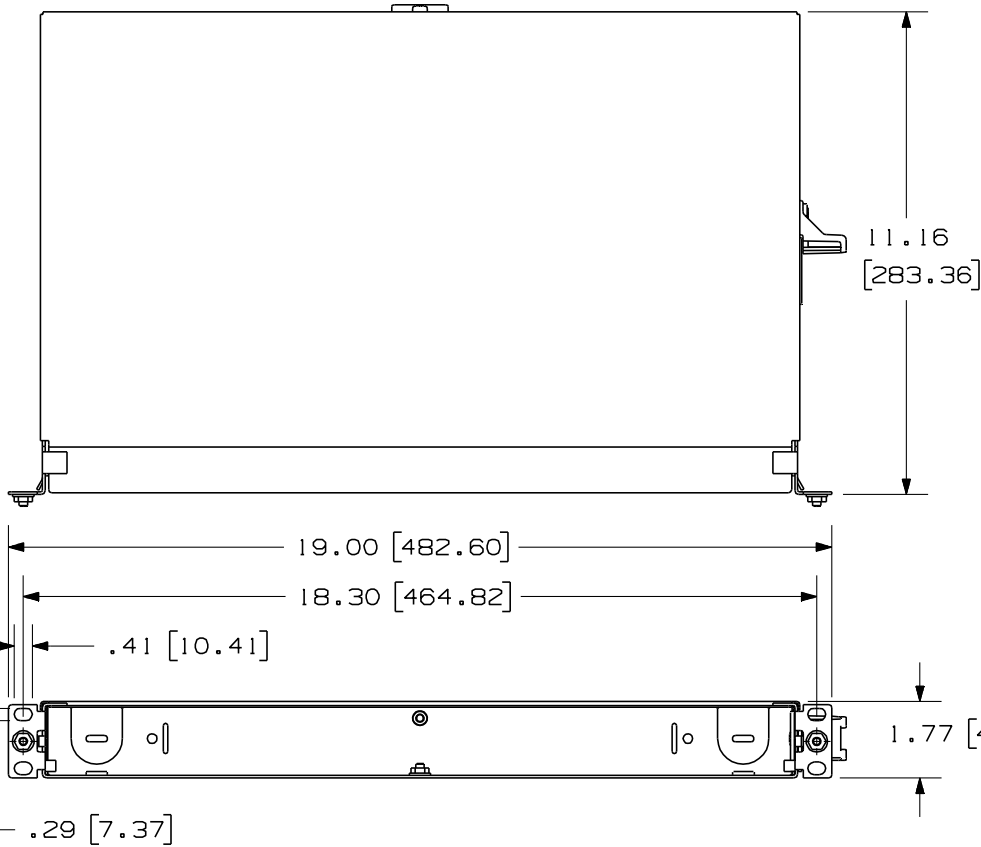
MODEL FILENAME V10050AB_FMT1_02.prt
 CAD FILENAME/LAYERS V10050AB_DC_00D.prt (1)

PANDUIT
 CORP., TINLEY PARK, ILLINOIS
 FIBER MOUNT TRAY (Fixed tray), IRU (FMT1)
 CUSTOMER DRAWING

UNLESS OTHERWISE SPECIFIED, DIMENSIONAL TOLERANCES ARE:
 (XX) ± .03 (ANGLES) ± .015
 UNLESS OTHERWISE SPECIFIED, ALL DIMENSIONS ARE GIVEN IN INCHES, THIRD ANGLE PROJECTION.

REV	DATE	BY	CHK	DESCRIPTION	ECN	R	CUST	SUP	OTH	DATE	CHK'D	MAT'L:	DRAWING NO.	DWG SIZE
3	05/10/07	DS1		C. REVISED PART NAME	10050-25								10050-25/A	A
2	4/15/02	RYB	RDC	B. REVISED EXPLODED VIEW	10050-25		JW1							
1	3/11/02	JDWE	RDC	A. CHANGED SHEET NUMBERS	10050-25		RDC							
R	2/26/02	RYB	RDC	RELEASED TO PRODUCTION	10050-25					2/26/02	RYB	SEE NOTES	10050-25/A	A
REV	DATE	BY	CHK	DESCRIPTION	ECN	R	CUST	SUP	OTH	DATE	CHK'D	MAT'L:	DRAWING NO.	DWG SIZE

THIS COPY IS PROVIDED ON A RESTRICTED BASIS AND IS NOT TO BE USED IN ANY WAY DETRIMENTAL TO THE INTERESTS



MODEL FILENAME V10050AB_
CAD FILENAME/LAYERS V10050AB_L

PANDUIT CORPORATION
FIBER MOUNT TRAY (FMT1)
CUSTOMER D

UNLESS OTHERWISE SPECIFIED,
DIMENSIONAL TOLERANCES ARE:
(.X) ±.03 (.XXX) ±.005
(.XX) ±.03 (ANGLES) ±.005

REV	DATE	BY	CHK	DESCRIPTION	ECN	R	CUST	SUP	OTH
3	5/10/07	DSI		SEE SHEET 1 OF 2 FOR REVISIONS	10050-25				
2	4/15/02	RYB	RDC	SEE SHEET 1 OF 2 FOR REVISIONS	10050-25		JWI		
1	3/11/02	JDWE	RDC	SEE SHEET 1 OF 2 FOR REVISIONS	10050-25		RDC		
R	2/26/02	RYB	RDC	SEE SHEET 1 OF 2 FOR REVISIONS	10050-25				

DRAWN BY REY B
DATE 2/26/02
CHK'D RDC
MAT'L: SEE NOTES

X-ON Electronics

Largest Supplier of Electrical and Electronic Components

Click to view similar products for [Wire Ducting & Raceways](#) category:

Click to view products by [Panduit](#) manufacturer:

Other Similar products are found below :

[800A-LB](#) [801I-LSP](#) [802A-ECSP](#) [802I-ICSP](#) [923223-000](#) [PRAF6WH-X](#) [A0405538](#) [1301150342](#) [1301160034](#) [1301170070](#) [1301180011](#)
[1301230083](#) [1301230153](#) [1301240273](#) [1301250006](#) [1302261238](#) [1302261321](#) [1302262552](#) [1302263103](#) [1302263178](#) [1302263259](#)
[1302263816](#) [1302263860](#) [1302264375](#) [1302264390](#) [1301150343](#) [1301160030](#) [1301170050](#) [1301170051](#) [1301170061](#) [1301180013](#)
[1301230086](#) [1301230130](#) [1301240054](#) [1302260055](#) [1302260376](#) [1302261343](#) [1302261344](#) [1302262674](#) [1302263095](#) [1302263166](#)
[1302263209](#) [1302263513](#) [1302263851](#) [1302263870](#) [1302264137](#) [1302264218](#) [DD1/J](#) [AX101472](#) [AX102007](#)