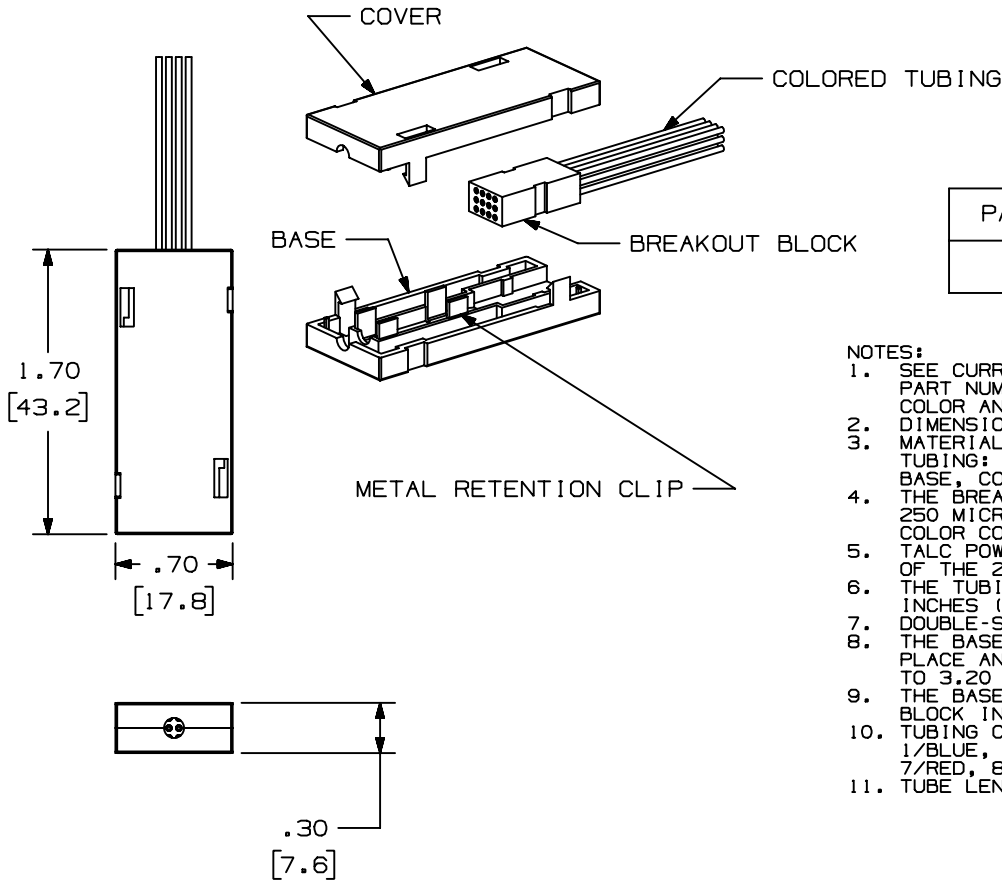


THIS COPY IS PROVIDED ON A RESTRICTED BASIS AND IS NOT TO BE USED IN ANY WAY DETRIMENTAL TO THE INTERESTS OF PANDUIT CORP.



PANDUIT P/N	WEIGHT
FO12CB	.50 LB/10 PCS (227 g/10 PCS)

NOTES:

- SEE CURRENT CATALOG FOR ADDITIONAL PART NUMBER SUFFIXES TO INDICATE COLOR AND OR PACKAGE QUANTITY.
- DIMENSIONS IN PARENTHESES ARE IN METRIC.
- MATERIAL:
TUBING: HYTREL
BASE, COVER AND BREAKOUT BLOCK: ABS
- THE BREAKOUT BLOCK TUBE ASSEMBLY WILL ROUTE 250 MICRON FIBERS INTO INDIVIDUAL, 900 MICRON COLOR CODED BUFFERED TUBES.
- TALC POWDER IS PROVIDED TO FACILITATE THREADING OF THE 250 MICRON FIBERS THROUGH THE COLORED TUBING.
- THE TUBING WILL WITHSTAND A MINIMUM BEND RADIUS OF .51 INCHES (1.3 CM) WITHOUT ANY BREAKS OR KINKS.
- DOUBLE-SIDED TAPE IS PROVIDED FOR SECURING THE BASE.
- THE BASE HAS A METAL RECTANGLE CLIP TO HOLD THE LOOSE TUBE IN PLACE AND WILL ACCEPT INDUSTRY STANDARD LOOSE TUBE FROM 2.00 MM TO 3.20 MM IN DIAMETER.
- THE BASE HAS A CAVITY FOR HOLDING AND LOCKING THE BREAKOUT BLOCK IN PLACE.
- TUBING COLOR CODE PER BELLCORE STANDARDS:
1/BLUE, 2/ORANGE, 3/GREEN, 4/BROWN, 5/SLATE, 6/WHITE, 7/RED, 8/BLACK, 9/YELLOW, 10/VIOLET, 11/ROSE, 12/AQUA
- TUBE LENGTH IS 36" ±1.00".

CAD FILENAME/LAYERS M00526AA_DC_00A.PRT

PANDUIT CORP. TINLEY PARK, ILLINOIS

FIBER OPTIC 12 TUBE FAN-OUT KIT (FO12CB) CUSTOMER DRAWING

UNLESS OTHERWISE SPECIFIED, DIMENSIONAL TOLERANCES ARE:
(.X) ± (.XXX) ±.010(.3)
(.XX) ±.03(.8) ANGLES ±

UNLESS OTHERWISE SPECIFIED, ALL DIMENSIONS ARE GIVEN IN INCHES, THIRD ANGLE PROJECTION.

DRAWN BY JBA

MAT'L:

SCALE NONE

DATE 6-29-99

SEE NOTES

DRAWING NO. 00526-03

DWG

SIZE A

REV	DATE	BY	CHK	DESCRIPTION	ECN	CHK	CUST	SUP
R	6-29-99	JBA		RELEASED TO PRODUCTION.	00526-03			



X-ON Electronics

Largest Supplier of Electrical and Electronic Components

Click to view similar products for [Fibre Optic Connectors](#) category:

Click to view products by [Panduit](#) manufacturer:

Other Similar products are found below :

[0004700001](#) [6100-R](#) [6313](#) [F709034706](#) [F709722200](#) [F709730000](#) [F718183204](#) [F727403500](#) [F727752800](#) [8119](#) [9440F20-27S-190](#) [944-120-6001](#) [9441F10SL-3S](#) [9444W28-21S](#) [9444W36-10S](#) [9446F10SL-4S](#) [9446W20-16S](#) [953-101-5310-P](#) [954-101-57202B](#) [A0270169](#) [12-9122](#) [12-5702](#) [AX101713](#) [AX102420](#) [AX103923](#) [AX104024](#) [AX104193](#) [AX104230](#) [AX104562](#) [AX105203-B25](#) [AX105205-S1](#) [EHSC2M](#) [17-300800](#) [181-011-126](#) [181-011-S](#) [181-057-126](#) [HRFC-R2\(40\)](#) [NKSOPBUY](#) [20500002116](#) [2064996-1](#) [20800001065](#) [2170](#) [9132](#) [2612](#) [2620](#) [9291](#) [9440F16-10S](#) [9440F20-18S](#) [9446F16-10S-190](#) [953-106-50231](#)