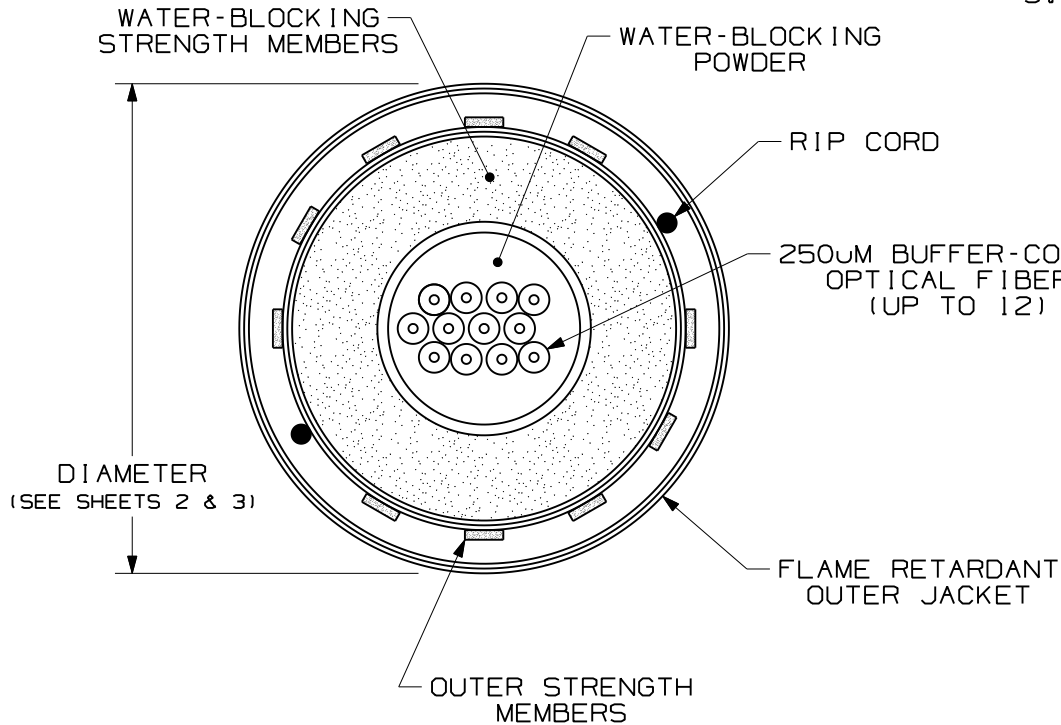


THIS COPY IS PROVIDED ON A RESTRICTED BASIS AND IS NOT TO BE USED IN ANY WAY DETRIMENTAL TO THE INTERESTS OF PANDUIT CORP.

NOTES:


1. DIAMETER DIMENSION, SHOWN FOR REFERENCE ONLY.
2. DIMENSIONS IN BRACKETS [] ARE ENGLISH.
3. ALL MATERIALS AND COMPONENTS USED MUST MEET THE MATERIAL RESTRICTIONS OF RoHS (EUROPEAN DIRECTIVE 2002/95/EC ON THE RESTRICTION OF HAZARDOUS SUBSTANCES) AS PROPOSED BY THE RoHS TECHNICAL ADAPTATION COMMITTEE.



TECHNICAL SPECIFICATIONS		
MAXIMUM LOSS		SINGLEMODE MAXIMUM LOSS
3.5 dB/KM @ 850nm 1.5 dB/KM @ 1300nm		.40 dB/KM @ 1310nm .30 dB/KM @ 1500nm
TENSILE LOAD - RISER RATED		
INSTALLATION		LONG TERM
1335 N (300 lbf)		400 N (90 lbf)
TEMPERATURE		
INSTALLATION	OPERATION	STORAGE
-20° C TO +60° C -4° F TO +140° F	-40° C TO +75° C -40° F TO +167° F	-40° C TO +85° C -40° F TO +185° F

REV	DATE	BY	CHK	DESCRIPTION	ECN	R	CUST	SUP	OTH
05	10-28-09	EFK		RELEASED TO PRODUCTION	02055-144				

OPTI-CORE INDOOR/OUTDOOR CABLE WITH UP TO 12 FIBERS IN A CENTRAL TUBE
CUSTOMER DRAWING



PANDUIT™
CORP.
TINLEY PARK, ILL 60477

ALL DIMENSIONS ARE GIVEN IN INCHES, UNLESS OTHERWISE SPECIFIED.

DIMENSIONAL TOLERANCES ARE:
(.X) (.XXX)±0.3 (.010)
(.XX)±0.8 (.03) ANGLES

THIRD ANGLE PROJECTION

DRAWING FILENAME
MO2055CB_DC_/00F

SCALE
NONE

PART NO.
FSC****Y
FOC****Y

DRAWING NO.
02055-144
SHEET 1 OF 3

SIZE
A

DRAWN BY
EFK

DATE
02-12-07

CHK'D
WMA

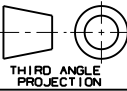
REVIEW DRAWING NUMBERS

THIS COPY IS PROVIDED ON A RESTRICTED BASIS AND IS NOT TO BE USED IN ANY WAY DETRIMENTAL TO THE INTERESTS OF PANDUIT CORP.

PANDUIT PART NUMBER	FIBER TYPE	JACKET RATING	FIBER COUNT	DIMENSION "A"	BEND RADIUS	
					INSTALLED	LONG TERM
FSCR906Y	SINGLEMODE 9/125	OFNR	6	6.5mm [0.256"]	9.9cm [3.9"]	6.6cm [2.6"]
FSCR912Y			12			
FSCP906Y		OFNP	6			
FSCP912Y			12			
FSL906Y		OFNR-LS	6			
FSL912Y			12			
FSCR606Y	MULTIMODE 62.5/125	OFNR	6	6.5mm [0.256"]	9.9cm [3.9"]	6.6cm [2.6"]
FSCR612Y			12			
FSCP606Y		OFNP	6			
FSCP612Y			12			
FSL606Y		OFNR-LS	6			
FSL612Y			12			

REV	DATE	BY	CHK	DESCRIPTION	ECN	R	CUST	SUP	OTH
05	10-28-09	EFK		RELEASED TO PRODUCTION	02055-144				

OPTI-CORE INDOOR/OUTDOOR CABLE WITH
UP TO 12 FIBERS IN A CENTRAL TUBE
CUSTOMER DRAWING

 THIRD ANGLE PROJECTION	ALL DIMENSIONS ARE GIVEN IN INCHES, UNLESS OTHERWISE SPECIFIED. DIMENSIONAL TOLERANCES ARE: (.X) (.XXX) ± 0.3 (.010) (.XX) ± 0.8 (.03) ANGLES	DRAWING FILENAME M02055CB_DC/00F	
	DRAWN BY EFK	REVIEW DRAWING NUMBERS	PART NO. FSC****Y FOC****Y
DATE 02-12-07	CHECK'D WMA	DRAWING NO. 02055-144 SHEET 2 OF 3	SIZE A

X-ON Electronics

Largest Supplier of Electrical and Electronic Components

Click to view similar products for [Fibre Optic Cables](#) category:

Click to view products by [Panduit](#) manufacturer:

Other Similar products are found below :

[FPD01SBS200](#) [FPD06SCC200](#) [FPT01SBS200](#) [FPDK01SCC100](#) [FCS-HCP-DUPLEX-50M](#) [FOSP45-C](#) [FURA3-20](#) [FURA4-20/A](#) [FURD3-20/A](#) [FURD4-20/A](#) [FURO6-20/A](#) [FUTA3-20](#) [FUTA3-20/A](#) [FUTA4-20](#) [FUTA4-20/A](#) [FUTD3-20/A](#) [FUTD4-20/A](#) [FUTO3-20/A](#) [FUTS3-20](#) [FUTS3-20/A](#) [FUTS4-20](#) [FUTS4-20/A](#) [943-99595-10030](#) [FUT-FARR25-20](#) [HFBR-RUD100](#) [2799445](#) [28320002](#) [28030002](#) [28000002](#) [28020002](#) [28051002](#) [28052002](#) [28351002](#) [28320001](#) [28000001](#) [28020001](#) [AERO-AS04-012-A-0X12026BKTT](#) [AERO-DF03-002-D-0XC18TT](#) [HFBR-EUS100Z](#) [HFBR-RUS100Z](#) [ER-500-1-VC-DCY-02-D0-0LWD](#) [EXO-G0-04-A-0LC32BKTT](#) [EXO-G0-08-A-0LC32GYTT](#) [EXO-G0-12-A-0XC32BKTT](#) [EXO-G0-24-A-0XC32BKTT](#) [MK-AX2-04-SM2](#) [106800-0105](#) [106800-0059](#) [106800-0098](#) [106800-0064](#)