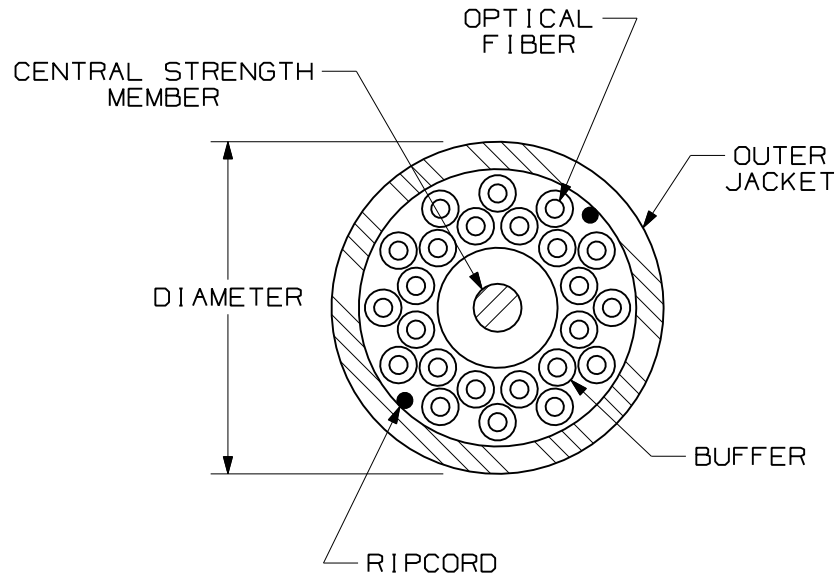


THIS COPY IS PROVIDED ON A RESTRICTED BASIS AND IS NOT TO BE USED IN ANY WAY DETRIMENTAL TO THE INTERESTS OF PANDUIT CORP.



TYPE/DESCRIPTION	COLOR	MAXIMUM LOSS
MULTIMODE 50/125um 10GbE 24 FIBER DISTRIBUTION CABLE W/900um TIGHT BUFFER	AQUA	3.5 dB/KM @ 850nm 1.5 dB/KM @ 1300nm

PLENUM - FODPX24Y			
TENSILE LOAD		BEND RADIUS	
INSTALLATION	LONG TERM	INSTALLATION	LONG TERM
660 N (150 lbf)	165 N (37.5 lbf)	260mm (10.2 in)	130mm (5.1 in)
CABLE DIAMETER (REFERENCE ONLY)	TEMPERATURE		
	INSTALLATION/OPERATION		STORAGE
6.7mm DIA (0.290")	0°C TO +50°C 32°F TO +122°F		-40°C TO +65°C -40°F TO +149°F

RISER RATED - FODRX24Y			
TENSILE LOAD		BEND RADIUS	
INSTALLATION	LONG TERM	INSTALLATION	LONG TERM
1780 N (400 lbf)	534 N (120 lbf)	128mm (5.0 in)	85mm (3.4 in)
CABLE DIAMETER (REFERENCE ONLY)	TEMPERATURE		
	INSTALLATION/OPERATION		STORAGE
8.5mm DIA (0.335")	-20°C TO +50°C -4°F TO +122°F		-40°C TO +65°C -40°F TO +149°F


WEIGHT OF 2.5km REEL/BOX	
OFNP	OFNR
558.7 kg (1231.8 lbs)	615.0 kg (1355.9 lbs)

NOTES:

1. DIAMETER DIMENSION SHOWN FOR REFERENCE ONLY.
2. CABLE SUPPLIED IN 2500 METER (8202 FT) LENGTHS.
3. FOR PART NUMBERS AND LENGTHS OTHER THAN THOSE SHOWN, CONTACT YOUR PANDUIT SALES PERSON.
4. ALL MATERIALS AND COMPONENTS USED MUST MEET THE MATERIAL RESTRICTIONS OF RoHS, (EUROPEAN DIRECTIVE 2002/95/EC ON THE RESTRICTIONS OF HAZARDOUS SUBSTANCES) AS PROPOSED BY THE RoHS TECHNICAL ADAPTATION COMMITTEE.

REV	DATE	BY	CHK	DESCRIPTION	ECN	R	CUST	SUP	OTH
01	01-24-07	EFK		RELEASED TO PRODUCTION	02055-41				

MULTIMODE 50/125um OPTI-CORE 10Gb/s  
OPTI-CORE 10GIG 24 FIBER DISTRIBUTION  
CABLE W/900um TIGHT BUFFER  
CUSTOMER DRAWING



**PANDUIT**™  
CORP.  
TINLEY PARK, ILL 60477

ALL DIMENSIONS ARE GIVEN IN INCHES,  
UNLESS OTHERWISE SPECIFIED,  
DIMENSIONAL TOLERANCES ARE:  
(.X) (.XXX) ±.010 (0.3)  
(.XX) ±.03 (0.8) ANGLES

DRAWING FILENAME  
MO2055BG\_DC\_24-10G\_00B.prt  
SCALE  
NONE  
PART NO.  
FODPX24Y  
FODRX24Y  
DRAWING NO.  
02055-41  
SIZE  
A

THIRD ANGLE PROJECTION

DRAWN BY  
MC  
REVIEW DRAWING NUMBERS

DATE  
08-28-04  
CHK'D

## X-ON Electronics

Largest Supplier of Electrical and Electronic Components

*Click to view similar products for [Fibre Optic Cables](#) category:*

*Click to view products by [Panduit](#) manufacturer:*

Other Similar products are found below :

[FPD01SBS200](#) [FPD06SCC200](#) [FPT01SBS200](#) [FPDK01SCC100](#) [FCS-HCP-DUPLEX-50M](#) [FOSP45-C](#) [FURA3-20](#) [FURA4-20/A](#) [FURD3-20/A](#) [FURD4-20/A](#) [FURO6-20/A](#) [FUTA3-20](#) [FUTA3-20/A](#) [FUTA4-20](#) [FUTA4-20/A](#) [FUTD3-20/A](#) [FUTD4-20/A](#) [FUTO3-20/A](#) [FUTS3-20](#) [FUTS3-20/A](#) [FUTS4-20](#) [FUTS4-20/A](#) [943-99595-10030](#) [FUT-FARR25-20](#) [HFBR-RUD100](#) [2799445](#) [28320002](#) [28030002](#) [28000002](#) [28020002](#) [28051002](#) [28052002](#) [28351002](#) [28320001](#) [28000001](#) [28020001](#) [AERO-AS04-012-A-0X12026BKTT](#) [AERO-DF03-002-D-0XC18TT](#) [HFBR-EUS100Z](#) [HFBR-RUS100Z](#) [ER-500-1-VC-DCY-02-D0-0LWD](#) [EXO-G0-04-A-0LC32BKTT](#) [EXO-G0-08-A-0LC32GYTT](#) [EXO-G0-12-A-0XC32BKTT](#) [EXO-G0-24-A-0XC32BKTT](#) [MK-AX2-04-SM2](#) [106800-0105](#) [106800-0059](#) [106800-0098](#) [106800-0064](#)