

# IndustrialNet™ PROFINET Shielded Field Term RJ45 Plug

## specifications

The IndustrialNet™ PROFINET Shielded Field Term RJ45 Plug is a simple-to-attach plug for field termination of 2-pair shielded twisted pair cable. Providing Category 5e performance the IndustrialNet™ PROFINET plug is compatible with PROFINET shielded systems. The two-piece straight PROFINET shielded plug terminates 2-pair, 22 AWG, 100 ohm shielded twisted pair cable and uses proven TG-style forward motion termination technology to optimize performance by maintaining cable pair geometry while eliminating conductor untwist.



## applications

The simple-to-attach IndustrialNet™ PROFINET Shielded Field Term RJ45 Plug is ideal for connecting network-powered devices to shielded networks using MPTL links or anywhere field attachment of a plug to shielded cable is desired. Typical applications include:

- Wireless access points (WAPs)
- Building access control points
- PROFINET enabled panels or on-machine applications
- Network-attached Audio/Video equipment

## technical information

<b>Category 5e/Class E<sub>A</sub> performance:</b>	Exceeds ANSI/TIA 568.2-D Category 5e and ISO 11801 Class E <sub>A</sub> Channel performance requirements with up to two field term plugs in channel. Meets or exceeds TIA Modular Plug Terminated Link (MPTL) requirements with up to two field term plugs in link
<b>Cable compatibility:</b>	Compatible with 2-pair, 22 AWG solid or stranded shielded twisted pair cable with conductor insulation diameters of 0.039 in. to 0.063 in. (1.0mm to 1.6mm) and overall cable O.D. 0.230 in. to 0.354 in. (5.8mm to 9.0mm)
<b>FCC and ANSI compliance:</b>	Meets ANSI/TIA-1096-A (formerly FCC Part 68)
<b>IEC compliance:</b>	IEC 60603-7, IEC 60529 (IP 20)
<b>RoHS compliance:</b>	Compliant
<b>Plug mating cycles:</b>	Rated to 2500 mating cycles
<b>UL rated:</b>	UL 1863 (Use as communications circuit accessory) UL 2043 (Suitable for use in air-handling spaces)
<b>Operating temperature:</b>	-40°C to +85°C (-40°F to +185°F)
<b>Storage temperature:</b>	-40°C to +85°C (-40°F to +185°F)

## key features and benefits

<b>Simple two-piece assembly</b>	Field friendly, easier to handle during field installation, saving time and reducing termination error
<b>Slim plug profile</b>	Easily fits in tight port spaces or high-density port configurations
<b>22 AWG termination capable</b>	Works with all commonly used solid and stranded shielded cabling
<b>TG-style termination technology</b>	Proven electrical performance and quick installation speed from the same forward-motion termination technology used in the Panduit Mini-Com® TG Modular Jacks
<b>Re-termination</b>	Ability to re-terminate up to 20 times with no additional parts, providing convenience and cost-savings in cases when plug must be re-terminated to cable
<b>Compact termination tools</b>	EGPT is fold-able and lightweight (tool sold separately)

### IndustrialNet™ PROFINET Shielded Field Term Plug

<b>Field Term Plug:</b>	FPE6X88MTG
<b>Field Term Plug 10 pk:</b>	FPE6X88MTG-X
<b>IndustrialNet™ PROFINET Type A Category 5e SF/UTP Copper Cable CM 2-pair:</b>	ESFLHT5C02GR-X
<b>IndustrialNet PROFINET Type B/C Category 5e SF/UTP Copper Cable CM 2-pair:</b>	ESFLHT5C02FGR-X
<b>IndustrialNet™ Category 5e SF/UTP Copper Cable CM 4-pair:</b>	IFCH5C04ATL-UG
<b>IndustrialNet™ Category 5e U/UTP Copper Cable CM 4-pair/color Black:</b>	IFC5C04BBL-CEG
<b>IndustrialNet™ Category 5e U/UTP Copper Cable CM 4-pair/color Black:</b>	IUC5C04ABL-CEG
<b>IndustrialNet™ M12 X-Code Field Terminable Plug:</b>	ISPS6X88MFA
<b>IndustrialNet™ Category 5e Shielded 600 V-Rated Patch Cords CM/CMX outdoor:</b>	ISTPHCH1MTL*
<b>Mini-Com Category 5e Shielded Jack:</b>	
<b>1-port</b>	CJS5E88TG Y
<b>IndustrialNet™ M12 X-Code to RJ45 Panel Mount Adapter:</b>	ICAM12XRJS
<b>DIN Rail Patch Panel: 8-port</b>	CDPP8RG
<b>DIN Rail Adapter: 1-port</b>	CADIN1IW**

### Tools and Accessories

<b>Termination Tool:</b>	EGPT or EGJT-1
<b>Wire Stripping Tool:</b>	CJAST
<b>Wire Snipping Tool:</b>	CWST
<b>Optional Test Cord:</b>	FPS6X88TC
<b>Shielded Straight Field Term Plug Wire Caps 10 pk:</b>	CPECAPGR-X

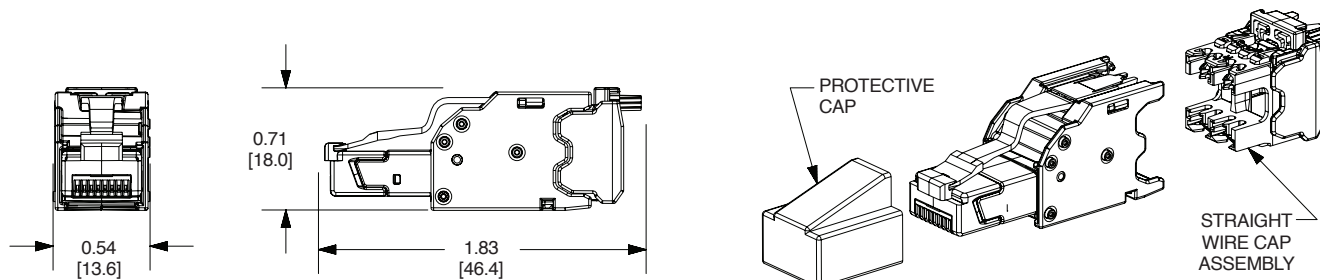
\*For other lengths, change the length designation (1M) of the part number to the desired length (0.3M, 0.6M, 1.5M, 2M, 2.5M, 3M, 3.5M, 4M, 4.5M, 5M, 7M, or 10M); to designate color, replace TL (Teal) suffix with BL (Black). For example, the part number of a 2-meter black patch cord is ISTPHCH2MBL.

\*\*For standard colors other than Off White, replace IW in part number with BL (Black), EI (Electric Ivory), IG (International Gray), or WH (White).

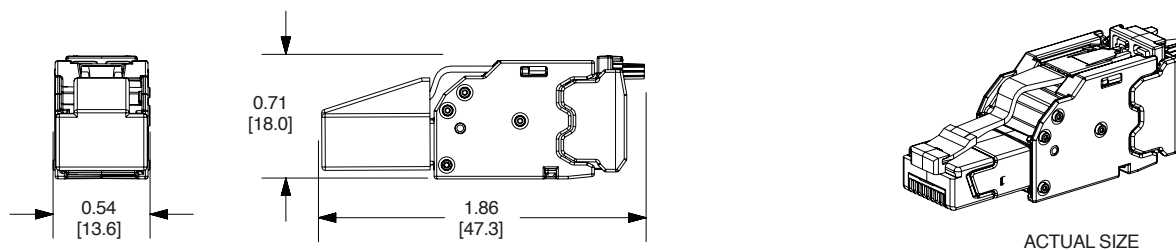
# IndustrialNet™ PROFINET Shielded Field Term RJ45 Plug

## Dimensions

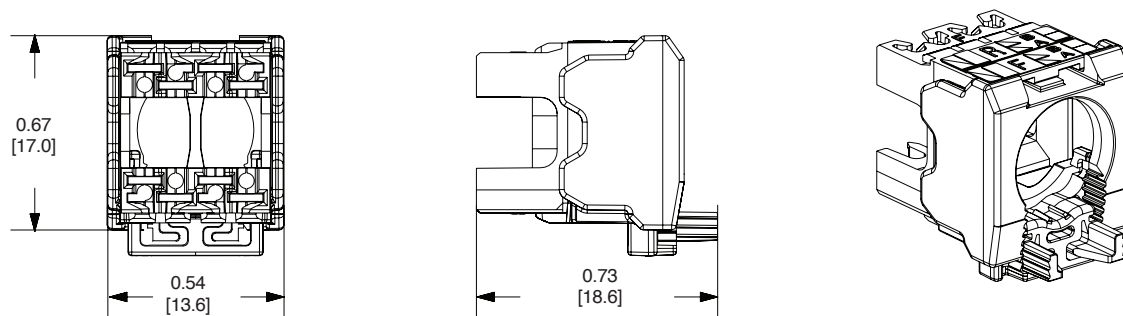
### Shielded Field Term Plug “without” Protective Cap



### Shielded Field Term Plug “with” Protective Cap



### Shielded Straight Wire Cap Assembly



Dimensions are in inches [Dimensions in brackets are metric]

#### WORLDWIDE SUBSIDIARIES AND SALES OFFICES

PANDUIT US/CANADA  
Phone: 800.777.3300

PANDUIT EUROPE LTD.  
London, UK  
Phone: 44.20.8601.7200

PANDUIT SINGAPORE PTE. LTD.  
Republic of Singapore  
Phone: 65.6305.7575

PANDUIT JAPAN  
Tokyo, Japan  
Phone: 81.3.6863.6000

PANDUIT LATIN AMERICA  
Guadalajara, Mexico  
Phone: 52.33.3777.6000

PANDUIT AUSTRALIA PTY. LTD.  
Victoria, Australia  
Phone: 61.3.9794.9020

For a copy of Panduit product warranties, log on to [www.panduit.com/warranty](http://www.panduit.com/warranty)

For more information

Visit us at [www.panduit.com](http://www.panduit.com)

**PANDUIT**®

© 2019 Panduit Corp.  
ALL RIGHTS RESERVED.  
COSP466--WW-ENG  
4/2019

## X-ON Electronics

Largest Supplier of Electrical and Electronic Components

*Click to view similar products for [Modular Connectors / Ethernet Connectors](#) category:*

*Click to view products by [Panduit](#) manufacturer:*

Other Similar products are found below :

[8949-H88/06BLKA/SN](#) [74441-0010/BKN](#) [MP1010RX-1000](#) [MP44RX-1000](#) [PHP-6P6C-5](#) [GAX-3-66](#) [GAX-8-62](#) [GDCX-PA-66-50](#) [GDCX-PN-64](#) [GDCX-PN-66](#) [GDCX-PN-66-50](#) [GDLX-A-66](#) [GDLX-N-66](#) [GDLX-S-66](#) [GDLX-S-88K](#) [GDTX-S-88-50](#) [GDX-PA-1010](#) [GLX-N-1010M-BLK](#) [GLX-S-88M-BLK](#) [GMX-N-1010](#) [GMX-S-1010](#) [GMX-S-66](#) [GMX-SMT4-N-88](#) [GPX-2-64](#) [GSGX-N-2-88](#) [GSGX-N-4-88](#) [GSX-NS2-88-3.05](#) [GSX-NS2-88-3.05-50](#) [GSX-NS-88-3.05-50](#) [PT-108A-8C-UL](#) [PT-J951-8C](#) [PTS-J531-8CS-50UL](#) [1-1775629-2](#) [A-2014-0-4](#) [GWLX-S-88-GR](#) [GWLX-S9-88-YG](#) [DC-1021-8-WH-6](#) [1300530003](#) [1324640-4](#) [RJ11FTVC2G](#) [RJ11FTVC2N](#) [RJFTVX2SA1G](#) [132764-001](#) [1413235](#) [MP88X-1000](#) [MPS88RX-5000](#) [E5288-S000K3-L](#) [E5908-15A242-L](#) [155302-001](#) [AX100653](#)